
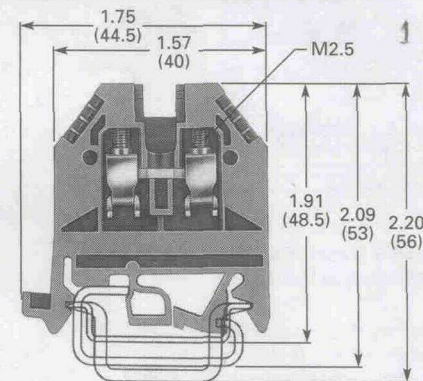
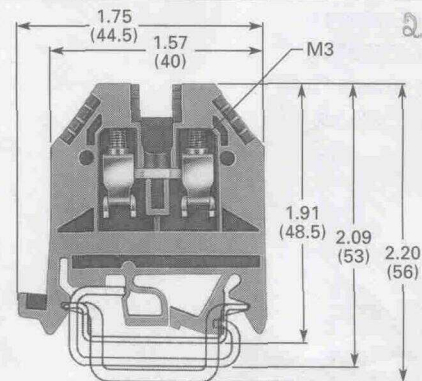


C383 Series

Single-Level Through-Feed

Table 55-3. Single-Level Through-Feed Product Selection

Maximum Wire Size AWG/mm ² 	12 AWG/2.5 mm ² 600V 22 – 12 AWG 20A 600V 24 – 12 AWG 25A Block Width 0.20" (5 mm) Wire Strip Length 0.35" (9 mm)	10 AWG/4 mm ² 600V 22 – 10 AWG 30A 600V 20 – 10 AWG 40A Block Width 0.24" (6 mm) Wire Strip Length 0.35" (9 mm)				
<ul style="list-style-type: none"> ■ Low profile ■ Wire range size 24 AWG to 3/0 AWG ■ Current ratings up to 175A ■ Universal mounting for 32 mm or 35 mm DIN rail ■ Dimensions in Inches (mm) 						
Description	Catalog Number	Price U.S. \$	Standard Pack	Catalog Number	Price U.S. \$	Standard Pack
Terminal block	C383RK25 ✓	1.35	100	C383RK254 ✓ C383RK254W White C383RK254R Red C383RK254B Blue C383RK254Y Yellow C383RK254BK Black C383RK254G Green C383RK254OR Orange	1.40 1.40 1.40 1.40 1.40 1.40 1.40 1.40	100 100 100 100 100 100 100 100

Accessories


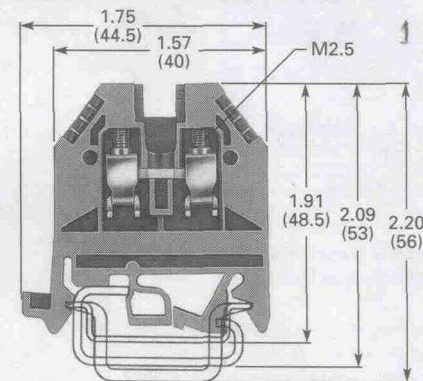
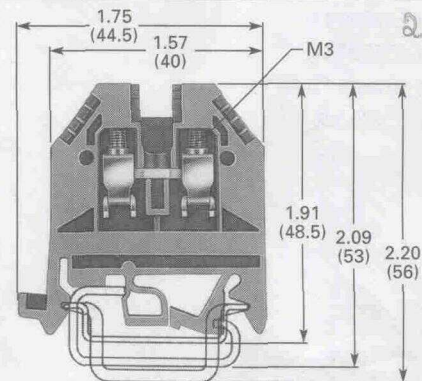
DIN Rail 35 mm x 7.5 mm x 1m (slotted) 35 mm x 7.5 mm x 2m (solid) 35 mm x 15 mm x 2m (solid) 32 mm x 15 mm x 2m (solid)	MC382MA1 ① * C383TS35S C383TS3515 C383TS32	8.05 13.20 22.50 17.60	20 20 10 10	MC382MA1 ① C383TS35S C383TS3515 C383TS32	8.05 13.20 22.50 17.60	20 20 10 10
End Stop 35 mm DIN rail 35 mm DIN rail (plastic) 32 mm DIN rail	C383ES35 C383ES35P C383ES32	1.65 .97 .64	100 100 100	C383ES35 C383ES35P C383ES32	1.65 .97 .64	100 100 100
End plate Partition plate	C383AP4 C383TW254 ✓	.45 .60	10 10	C383AP4 C383TW254	.45 .60	10 10
Cross Connector Assembly 2 terminals 3 terminals 4 terminals Bar for custom lengths Bar length can be custom sized to fit specific customer applications	C383TJ9 C383TJ10 C383TJ11 C383TJ90 (80 terminals)	.93 1.25 1.75 44.75	10 10 10 10	C383TJ1 C383TJ2 C383TJ3 C383TJ70 (70 terminals)	.93 1.35 1.75 37.50	10 10 10 10
Insulated Jumper Comb (12 Terminals) Length can be custom sized to fit specific customer applications	—	—	—	C383JC412	4.65	100
Switchable connecting link Stud bolt for test plug Test plug Deadfront cover Snap-in partition Snap-in cover w/warning symbol Rapid mounting tool	C383SCL3 C383STP25 ✓ C383TP23 C383D25 C383TS25 C383WS25 C383RMT4	1.35 .30 4.10 .30 .35 .80 .01	50 50 50 100 10 10 1	C383SCL2 C383STP4 C383TP23 ✓ C383D4 C383TS4 C383WS4 C383RMT4	1.35 .18 4.10 .30 .35 .80 .01	50 10 50 100 10 10 1

① 20-piece bulk pack available, use MC382MA1-20.

C383 Series

Single-Level Through-Feed

Table 55-3. Single-Level Through-Feed Product Selection

Maximum Wire Size AWG/mm ² 	12 AWG/2.5 mm ² 600V 22 – 12 AWG 20A 600V 24 – 12 AWG 25A Block Width 0.20" (5 mm) Wire Strip Length 0.35" (9 mm)	10 AWG/4 mm ² 600V 22 – 10 AWG 30A 600V 20 – 10 AWG 40A Block Width 0.24" (6 mm) Wire Strip Length 0.35" (9 mm)				
<ul style="list-style-type: none"> ■ Low profile ■ Wire range size 24 AWG to 3/0 AWG ■ Current ratings up to 175A ■ Universal mounting for 32 mm or 35 mm DIN rail ■ Dimensions in Inches (mm) 						
Description	Catalog Number	Price U.S. \$	Standard Pack	Catalog Number	Price U.S. \$	Standard Pack
Terminal block	C383RK25 ✓	1.35	100	C383RK254 ✓ C383RK254W White C383RK254R Red C383RK254B Blue C383RK254Y Yellow C383RK254BK Black C383RK254G Green C383RK254OR Orange	1.40 1.40 1.40 1.40 1.40 1.40 1.40 1.40	100 100 100 100 100 100 100 100

Accessories

DIN Rail 35 mm x 7.5 mm x 1m (slotted) 35 mm x 7.5 mm x 2m (solid) 35 mm x 15 mm x 2m (solid) 32 mm x 15 mm x 2m (solid)	MC382MA1 ① * C383TS35S C383TS3515 C383TS32	8.05 13.20 22.50 17.60	20 20 10 10	MC382MA1 ① C383TS35S C383TS3515 C383TS32	8.05 13.20 22.50 17.60	20 20 10 10
End Stop 35 mm DIN rail 35 mm DIN rail (plastic) 32 mm DIN rail	C383ES35 C383ES35P C383ES32	1.65 .97 .64	100 100 100	C383ES35 C383ES35P C383ES32	1.65 .97 .64	100 100 100
End plate Partition plate	C383AP4 C383TW254 ✓	.45 .60	10 10	C383AP4 C383TW254	.45 .60	10 10
Cross Connector Assembly 2 terminals 3 terminals 4 terminals Bar for custom lengths Bar length can be custom sized to fit specific customer applications	C383TJ9 C383TJ10 C383TJ11 C383TJ90 (80 terminals)	.93 1.25 1.75 44.75	10 10 10 10	C383TJ1 C383TJ2 C383TJ3 C383TJ70 (70 terminals)	.93 1.35 1.75 37.50	10 10 10 10
Insulated Jumper Comb (12 Terminals) Length can be custom sized to fit specific customer applications	—	—	—	C383JC412	4.65	100
Switchable connecting link Stud bolt for test plug Test plug Deadfront cover Snap-in partition Snap-in cover w/warning symbol Rapid mounting tool	C383SCL3 C383STP25 ✓ C383TP23 C383D25 C383TS25 C383WS25 C383RMT4	1.35 .30 4.10 .30 .35 .80 .01	50 50 50 100 10 10 1	C383SCL2 C383STP4 C383TP23 ✓ C383D4 C383TS4 C383WS4 C383RMT4	1.35 .18 4.10 .30 .35 .80 .01	50 10 50 100 10 10 1

① 20-piece bulk pack available, use MC382MA1-20.