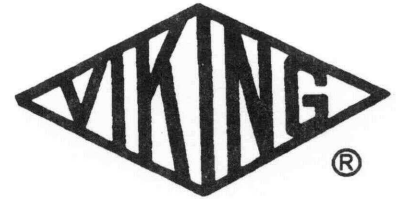
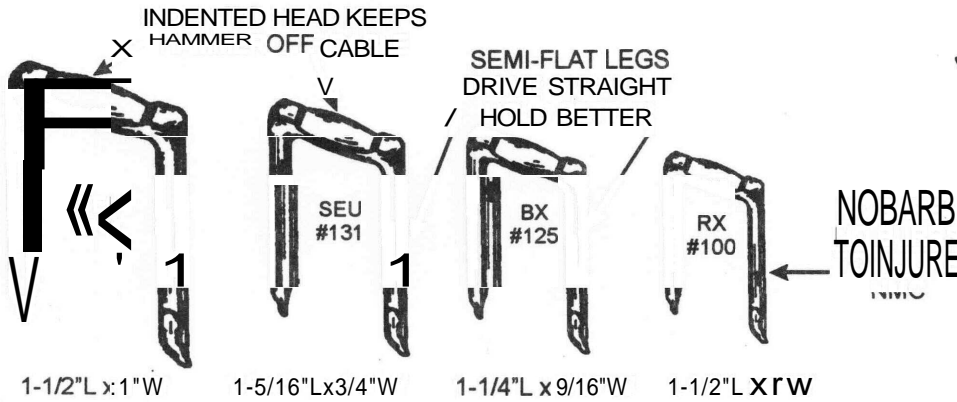


# THE LEADER



**Nob-Staples®**  
**Cable Staples**  
 Carbon Steel

STANDARD SHIPPER						
SIZE AND PACK NUMBER	NAED PRODUCT CODE	CABLE SIZE	ITEM NUMBER	CARTON QUANTITY	QUANTITY	APPROX. WEIGHT IN LBS.
100PP5M	09115	NMC 2 COND. 12 & 14 WIRE & 2 Cond. WG	C703736	PLASTIC PAIL	5,000	23
100 PB 5M	09114		C703702	BULK	5,000	23
100P5	09113		C703652	500	10,000	45
100P1	09111		C703603	100	10,000	45
*100 PB 5M EG	59114		C703850	BULK	5,000	23
*100 P5 EG	59113		C703801	500	10,000	45
*100 P1 EG	59111		C703751	100	10,000	45
125PP5M	09215	BX 3 COND. 12 x 10 WIRE	C704122	PLASTIC PAIL	5,000	36
125 PB 5M	09214		C704106	BULK	5,000	36
125 P5	09213		C704029	500	5,000	36
125 P1	09211		C704071	100	5,000	36
*125PB5MEG	59214		C704130	BULK	5,000	36
*125 P5 EG	59213		C704205	500	5,000	36
*125 P1 EG	59211		C704155	100	5,000	36

\* ELECTRO GALVANIZED

## SERVICE CABLE STAPLES ELECTRO GALVANIZED

SIZE AND PACK NUMBER	NAED PRODUCT CODE	CABLE SIZE	ITEM NUMBER	CARTON QUANTITY	QUANTITY	APPROX. WEIGHT IN LBS.
*131 P1	59310	SEU 6/3	C704254	100	5,000	47
*141 P1	59410	SEU 2/3	C704304	100	5,000	59
*151 P1	59510	SEU 4/0	C704396	100	1,000	39

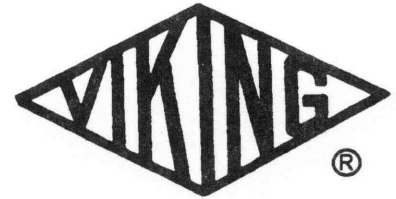
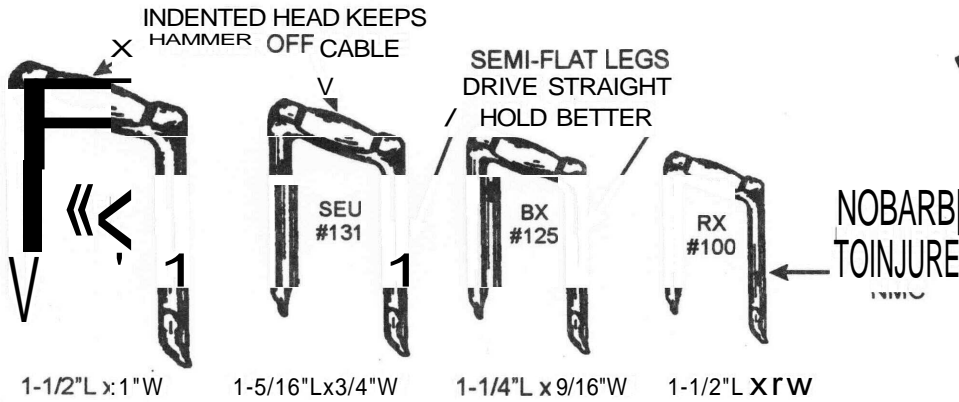
**W.VV. CROSS, INC.**

39 Webster Street. PO Box 365, Jaffrey, NH 03452-0365  
 Telephone: (603)532-8332 FAX: (603) 532-8336  
 Customer Service: (800)992-0314



**STAPLES FOR PROFESSIONALS.**

# THE LEADER



**Nob-Staples®**  
Cable Staples  
Carbon Steel

					STANDARD SHIPPER	
SIZE AND PACK NUMBER	NAED PRODUCT CODE	CABLE SIZE	ITEM NUMBER	CARTON QUANTITY	QUANTITY	APPROX. WEIGHT IN LBS.
100PP5M	09115	NMC 2 COND. 12 & 14 WIRE & 2 Cond. WG	C703736	PLASTIC PAIL	5,000	23
100 PB 5M	09114		C703702	BULK	5,000	23
100P5	09113		C703652	500	10,000	45
100P1	09111		C703603	100	10,000	45
*100 PB 5M EG	59114		C703850	BULK	5,000	23
*100 P5 EG	59113		C703801	500	10,000	45
*100 P1 EG	59111		C703751	100	10,000	45
125PP5M	09215	BX 3 COND. 12 x 10 WIRE	C704122	PLASTIC PAIL	5,000	36
125 PB 5M	09214		C704106	BULK	5,000	36
125 P5	09213		C704029	500	5,000	36
125 P1	09211		C704071	100	5,000	36
*125PB5MEG	59214		C704130	BULK	5,000	36
*125 P5 EG	59213		C704205	500	5,000	36
*125 P1 EG	59211		C704155	100	5,000	36

\* ELECTRO GALVANIZED

## SERVICE CABLE STAPLES ELECTRO GALVANIZED

SIZE AND PACK NUMBER	NAED PRODUCT CODE	CABLE SIZE	ITEM NUMBER	CARTON QUANTITY	QUANTITY	APPROX. WEIGHT IN LBS.
*131 P1	59310	SEU 6/3	C704254	100	5,000	47
*141 P1	59410	SEU 2/3	C704304	100	5,000	59
*151 P1	59510	SEU 4/0	C704396	100	1,000	39

**W.V.V. CROSS, INC.**

39 Webster Street. PO Box 365, Jaffrey, NH 03452-0365  
Telephone: (603)532-8332 FAX: (603) 532-8336  
Customer Service: (800)992-0314



**STAPLES FOR PROFESSIONALS.**