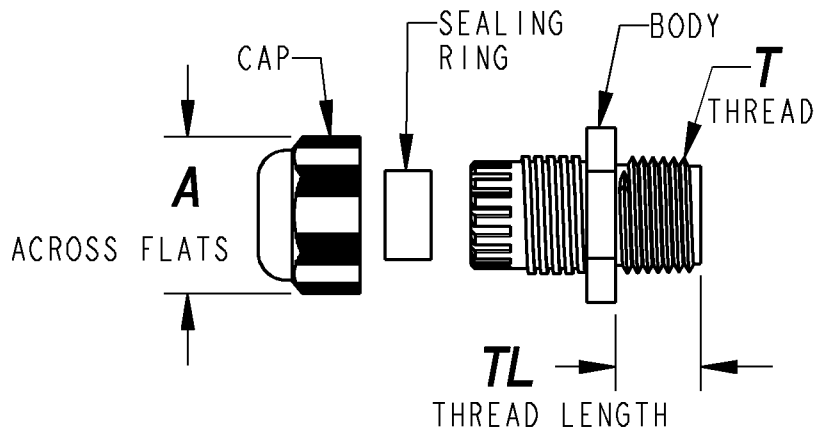
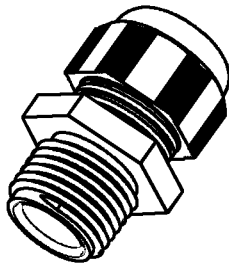




T&B Portable Cord Fittings



MATERIAL: BODY AND CAP- POLYANIDE 6
 SEALING RING: NEOPRENE
 COLOR: GRAY (RAL 7001)
 BLACK (RAL 9005)
 TEMPERATURE RANGE: -30°C TO 80°C PERMANENT
 OPERATING TEMPERATURE: UP TO +150°C INTERMITTENT

SEE SHEET 2 FOR ADDITIONAL DATA &
 AGENCY CERTIFICATIONS.

| | |
|-----------------------|-------------|
| CC-PG36-G | PG36 |
| CC-PG29-G | PG29 |
| CC-PG21-G | PG21 |
| CC-PG16-G | PG16 |
| CC-PG135-G | PG13.5 |
| CC-PG11-G | PG11 |
| CC-PG9-G | PG9 |
| CC-PG7-G | PG7 |
| CATALOG NUMBER | SIZE |

| | |
|-----------------------|-------------|
| CC-IS032-G | IS032 |
| CC-IS025-G | IS025 |
| CC-IS020-G | IS020 |
| CC-IS016-G | IS016 |
| CATALOG NUMBER | SIZE |

| | |
|-----------------------|-------------|
| CC-NPT1-B | 1" |
| CC-NPT1-G | 1" |
| CC-NPT34-B | 3/4" |
| CC-NPT34-G | 3/4" |
| CC-NPT12-B | 1/2" |
| CC-NPT12-G | 1/2" |
| CC-NPT38-B | 3/8" |
| CC-NPT38-G | 3/8" |
| CATALOG NUMBER | SIZE |

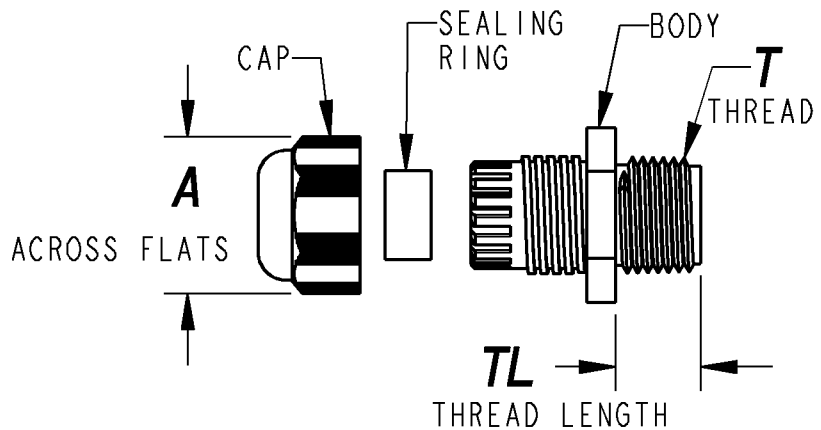
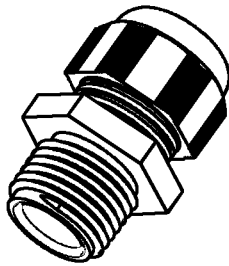
| | | | | | |
|---|--|--|---------------|----------|-------------------|
| GENERAL NOTES | | Thomas & Betts A Member of the ABB Group | | | |
| 1. ALL DIMENSIONS ARE FOR REFERENCE ONLY. 2. DIMENSIONS IN BRACKETS [] ARE IN METRIC UNITS. | | | | | |
| REVISIONS | | DESCRIPTION: | | | |
| 2 SEE ERN 2016115 FOR APPROVAL SIGNATURES & RELEASE DATE. PROJECT NO: RM401887 | | NON-METALLIC NPT THREAD CABLE GLAND | | | |
| | | ORIGINAL PROJECT NO / (ERN NO) | SHEET NO: | REV. NO: | DRAWING NO: |
| | | RM401810 / (2002527) | 1 OF 2 | 2 | WSD-000004 |

| CC-PG36-G | GRAY | 1.260 | .867 | 2.086 | PG36 | .512 | UL, cCSAus | DRY LOCATION |
|----------------|-------|----------------|---------|--------------|--------------|---------------|---------------|-------------------|
| CC-PG29-G | GRAY | .984 | .709 | 1.653 | PG29 | .433 | cULus, cCSAus | LIQUID-TIGHT |
| CC-PG21-G | GRAY | .709 | .511 | 1.300 | PG21 | .433 | UL, cCSAus | DRY LOCATION |
| CC-PG16-G | GRAY | .551 | .394 | 1.063 | PG16 | .394 | cULus, cCSAus | LIQUID-TIGHT |
| CC-PG135-G | GRAY | .473 | .236 | .945 | PG13.5 | .354 | UL, cCSAus | DRY LOCATION |
| CC-PG11-G | GRAY | .394 | .197 | .866 | PG11 | .315 | cURus, cCSAus | LIQUID-TIGHT |
| CC-PG9-G | GRAY | .315 | .157 | .748 | PG9 | .315 | UR, cCSAus | DRY LOCATION |
| CC-PG7-G | GRAY | .256 | .118 | .590 | PG7 | .315 | UR, cCSAus | DRY LOCATION |
| CC-ISO32-G | GRAY | .984 | .709 | 1.653 | ISO32 | .590 | cULus, cCSAus | LIQUID-TIGHT |
| CC-ISO25-G | GRAY | .709 | .511 | 1.300 | ISO25 | .590 | UL, cCSAus | LIQUID-TIGHT |
| CC-ISO20-G | GRAY | .473 | .236 | .945 | ISO20 | .394 | UL, cCSAus | DRY LOCATION |
| CC-ISO16-G | GRAY | .394 | .197 | .866 | ISO16 | .394 | cURus, cCSAus | LIQUID-TIGHT |
| CC-NPT1-B | BLACK | .984 | .709 | 1.654 | 1-11 1/2 NPT | .790 | cULus, cCSAus | LIQUID-TIGHT |
| CC-NPT1-G | GRAY | .984 | .709 | 1.654 | 1-11 1/2 NPT | .790 | cULus, cCSAus | LIQUID-TIGHT |
| CC-NPT34-B | BLACK | .709 | .511 | 1.299 | 3/4-14 NPT | .590 | UL, cCSAus | DRY LOCATION |
| CC-NPT34-G | GRAY | .709 | .511 | 1.299 | 3/4-14 NPT | .590 | UL, cCSAus | DRY LOCATION |
| CC-NPT12-B | BLACK | .551 | .394 | 1.063 | 1/2-14 NPT | .590 | cULus, cCSAus | DRY LOCATION |
| CC-NPT12-G | GRAY | .551 | .394 | 1.063 | 1/2-14 NPT | .590 | cULus, cCSAus | DRY LOCATION |
| CC-NPT38-B | BLACK | .394 | .197 | .866 | 3/8-18 NPT | .590 | cULus, cCSAus | LIQUID-TIGHT |
| CC-NPT38-G | GRAY | .394 | .197 | .866 | 3/8-18 NPT | .590 | cULus, cCSAus | LIQUID-TIGHT |
| CATALOG NUMBER | COLOR | MAXIMUM | MINIMUM | ACROSS FLATS | THREAD | THREAD LENGTH | AGENCY | CONDITIONS OF USE |
| | | CLAMPING RANGE | | | | | | |

| | | | |
|---|--|--|----------------------|
| www.tnb.com | | Thomas & Betts A Member of the ABB Group | |
| DESCRIPTION: NON-METALLIC NPT THREAD CABLE GLAND | | | |
| | | SHEET NO: 2 OF 2 | REV. NO: 2 |
| | | DRAWING NO: WSD-000004 | |



T&B Portable Cord Fittings



MATERIAL: BODY AND CAP- POLYANIDE 6
 SEALING RING: NEOPRENE
 COLOR: GRAY (RAL 7001)
 BLACK (RAL 9005)
 TEMPERATURE RANGE: -30°C TO 80°C PERMANENT
 OPERATING TEMPERATURE: UP TO +150°C INTERMITTENT

SEE SHEET 2 FOR ADDITIONAL DATA &
 AGENCY CERTIFICATIONS.

| | |
|-----------------------|-------------|
| CC-PG36-G | PG36 |
| CC-PG29-G | PG29 |
| CC-PG21-G | PG21 |
| CC-PG16-G | PG16 |
| CC-PG135-G | PG13.5 |
| CC-PG11-G | PG11 |
| CC-PG9-G | PG9 |
| CC-PG7-G | PG7 |
| CATALOG NUMBER | SIZE |

| | |
|-----------------------|-------------|
| CC-IS032-G | IS032 |
| CC-IS025-G | IS025 |
| CC-IS020-G | IS020 |
| CC-IS016-G | IS016 |
| CATALOG NUMBER | SIZE |

| | |
|-----------------------|-------------|
| CC-NPT1-B | 1" |
| CC-NPT1-G | 1" |
| CC-NPT34-B | 3/4" |
| CC-NPT34-G | 3/4" |
| CC-NPT12-B | 1/2" |
| CC-NPT12-G | 1/2" |
| CC-NPT38-B | 3/8" |
| CC-NPT38-G | 3/8" |
| CATALOG NUMBER | SIZE |

| | | | | | |
|---|--|--|---------------|----------|-------------------|
| GENERAL NOTES | | Thomas & Betts A Member of the ABB Group | | | |
| 1. ALL DIMENSIONS ARE FOR REFERENCE ONLY. 2. DIMENSIONS IN BRACKETS [] ARE IN METRIC UNITS. | | | | | |
| REVISIONS | | DESCRIPTION: | | | |
| 2 SEE ERN 2016115 FOR APPROVAL SIGNATURES & RELEASE DATE. PROJECT NO: RM401887 | | NON-METALLIC NPT THREAD CABLE GLAND | | | |
| | | ORIGINAL PROJECT NO / (ERN NO) | SHEET NO: | REV. NO: | DRAWING NO: |
| | | RM401810 / (2002527) | 1 OF 2 | 2 | WSD-000004 |

| CC-PG36-G | GRAY | 1.260 | .867 | 2.086 | PG36 | .512 | UL, cCSAus | DRY LOCATION |
|----------------|-------|----------------|---------|--------------|--------------|---------------|---------------|-------------------|
| CC-PG29-G | GRAY | .984 | .709 | 1.653 | PG29 | .433 | cULus, cCSAus | LIQUID-TIGHT |
| CC-PG21-G | GRAY | .709 | .511 | 1.300 | PG21 | .433 | UL, cCSAus | DRY LOCATION |
| CC-PG16-G | GRAY | .551 | .394 | 1.063 | PG16 | .394 | cULus, cCSAus | LIQUID-TIGHT |
| CC-PG135-G | GRAY | .473 | .236 | .945 | PG13.5 | .354 | UL, cCSAus | DRY LOCATION |
| CC-PG11-G | GRAY | .394 | .197 | .866 | PG11 | .315 | cURus, cCSAus | LIQUID-TIGHT |
| CC-PG9-G | GRAY | .315 | .157 | .748 | PG9 | .315 | UR, cCSAus | DRY LOCATION |
| CC-PG7-G | GRAY | .256 | .118 | .590 | PG7 | .315 | UR, cCSAus | DRY LOCATION |
| CC-ISO32-G | GRAY | .984 | .709 | 1.653 | ISO32 | .590 | cULus, cCSAus | LIQUID-TIGHT |
| CC-ISO25-G | GRAY | .709 | .511 | 1.300 | ISO25 | .590 | UL, cCSAus | LIQUID-TIGHT |
| CC-ISO20-G | GRAY | .473 | .236 | .945 | ISO20 | .394 | UL, cCSAus | DRY LOCATION |
| CC-ISO16-G | GRAY | .394 | .197 | .866 | ISO16 | .394 | cURus, cCSAus | LIQUID-TIGHT |
| CC-NPT1-B | BLACK | .984 | .709 | 1.654 | 1-11 1/2 NPT | .790 | cULus, cCSAus | LIQUID-TIGHT |
| CC-NPT1-G | GRAY | .984 | .709 | 1.654 | 1-11 1/2 NPT | .790 | cULus, cCSAus | LIQUID-TIGHT |
| CC-NPT34-B | BLACK | .709 | .511 | 1.299 | 3/4-14 NPT | .590 | UL, cCSAus | DRY LOCATION |
| CC-NPT34-G | GRAY | .709 | .511 | 1.299 | 3/4-14 NPT | .590 | UL, cCSAus | DRY LOCATION |
| CC-NPT12-B | BLACK | .551 | .394 | 1.063 | 1/2-14 NPT | .590 | cULus, cCSAus | DRY LOCATION |
| CC-NPT12-G | GRAY | .551 | .394 | 1.063 | 1/2-14 NPT | .590 | cULus, cCSAus | DRY LOCATION |
| CC-NPT38-B | BLACK | .394 | .197 | .866 | 3/8-18 NPT | .590 | cULus, cCSAus | LIQUID-TIGHT |
| CC-NPT38-G | GRAY | .394 | .197 | .866 | 3/8-18 NPT | .590 | cULus, cCSAus | LIQUID-TIGHT |
| CATALOG NUMBER | COLOR | MAXIMUM | MINIMUM | ACROSS FLATS | THREAD | THREAD LENGTH | AGENCY | CONDITIONS OF USE |
| | | CLAMPING RANGE | | | | | | |

| | | | |
|---|--|--|----------------------------------|
| www.tnb.com | | Thomas & Betts A Member of the ABB Group | |
| DESCRIPTION: NON-METALLIC NPT THREAD CABLE GLAND | | | |
| SHEET NO: 2 OF 2 | | REV. NO: 2 | DRAWING NO: WSD-000004 |