



# BOLT CLOSE CONDUIT/PIPE CLAMP, STEEL, 1" EMT, 1" RIGID/PIPE, 0.281" HOLE

## CATALOG NUMBER

**CD2B**



## CERTIFICATIONS



## FEATURES

Retained bolt and built-in nut means there are less parts to handle or drop

Combo head bolt works with slotted, hex, #3 phillips or #2 robertson drivers

## PRODUCT ATTRIBUTES

Material: Steel

Finish: Electrogalvanized

Nut Type: Built-In Nut

Outer Diameter (OD): 1.000" - 1.31"

EMT Conduit Size: 1

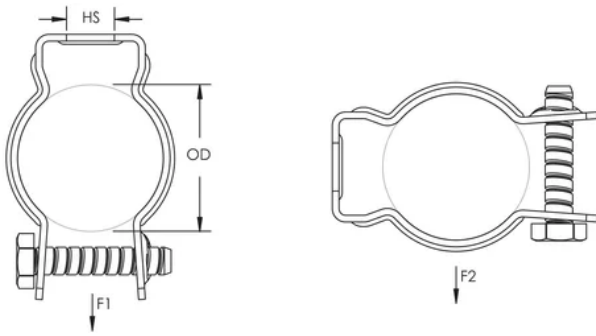
Rigid Conduit/Pipe Size: 1

Hole Size (HS): 0.28"

Static Load 1 (F1): 200lb

## DIAGRAMS

---



## WARNING

---

nVent products shall be installed and used only as indicated in nVent's product instruction sheets and training materials. Instruction sheets are available at [www.nvent.com](http://www.nvent.com) and from your nVent customer service representative. Improper installation, misuse, misapplication or other failure to completely follow nVent's instructions and warnings may cause product malfunction, property damage, serious bodily injury and death and/or void your warranty.

### North America

+1.800.753.9221  
Option 1 – Customer Care  
Option 2 – Technical Support

### Europe

Netherlands:  
+31 800-0200135  
France:  
+33 800 901 793

### Europe

Germany:  
800 1890272  
Other Countries:  
+31 13 5835404

### APAC

Shanghai:  
+ 86 21 2412 1618/19  
Sydney:  
+61 2 9751 8500



Our powerful portfolio of brands:  
**nVent.com CADDY ERICO HOFFMAN RAYCHEM SCHROFF**  
**TRACER**



# BOLT CLOSE CONDUIT/PIPE CLAMP, STEEL, 1" EMT, 1" RIGID/PIPE, 0.281" HOLE

## CATALOG NUMBER

**CD2B**



## CERTIFICATIONS



## FEATURES

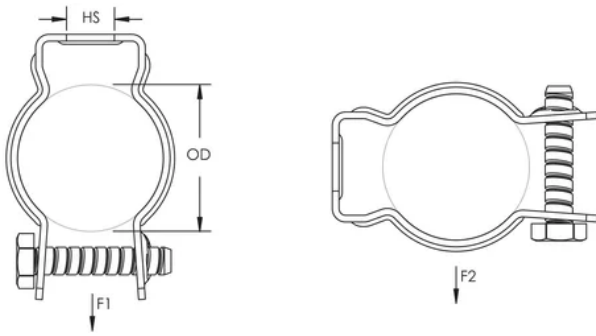
- Retained bolt and built-in nut means there are less parts to handle or drop
- Combo head bolt works with slotted, hex, #3 phillips or #2 robertson drivers

## PRODUCT ATTRIBUTES

- Material: Steel
- Finish: Electrogalvanized
- Nut Type: Built-In Nut
- Outer Diameter (OD): 1.000" - 1.31"
- EMT Conduit Size: 1
- Rigid Conduit/Pipe Size: 1
- Hole Size (HS): 0.28"
- Static Load 1 (F1): 200lb

## DIAGRAMS

---



## WARNING

---

nVent products shall be installed and used only as indicated in nVent's product instruction sheets and training materials. Instruction sheets are available at [www.nvent.com](http://www.nvent.com) and from your nVent customer service representative. Improper installation, misuse, misapplication or other failure to completely follow nVent's instructions and warnings may cause product malfunction, property damage, serious bodily injury and death and/or void your warranty.

### North America

+1.800.753.9221  
Option 1 – Customer Care  
Option 2 – Technical Support

### Europe

Netherlands:  
+31 800-0200135  
France:  
+33 800 901 793

### Europe

Germany:  
800 1890272  
Other Countries:  
+31 13 5835404

### APAC

Shanghai:  
+ 86 21 2412 1618/19  
Sydney:  
+61 2 9751 8500



Our powerful portfolio of brands:  
**nVent.com CADDY ERICO HOFFMAN RAYCHEM SCHROFF**  
**TRACER**