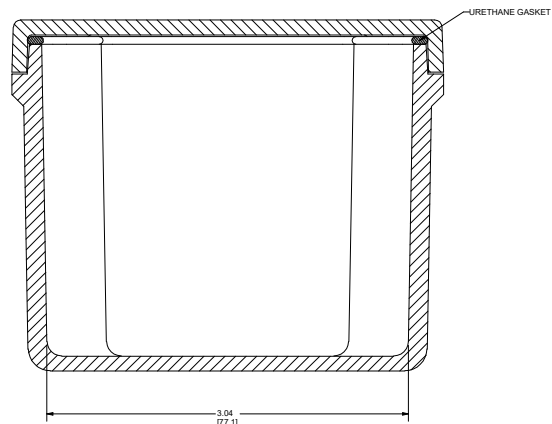
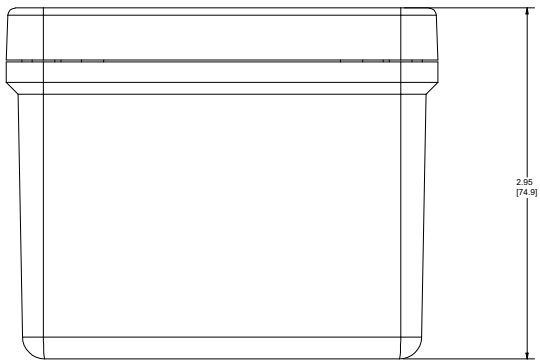
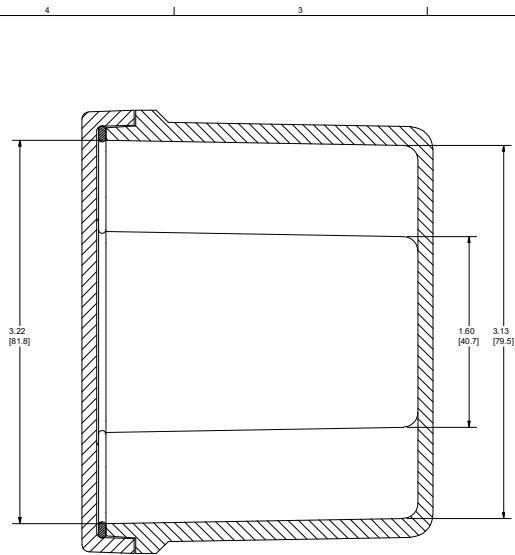
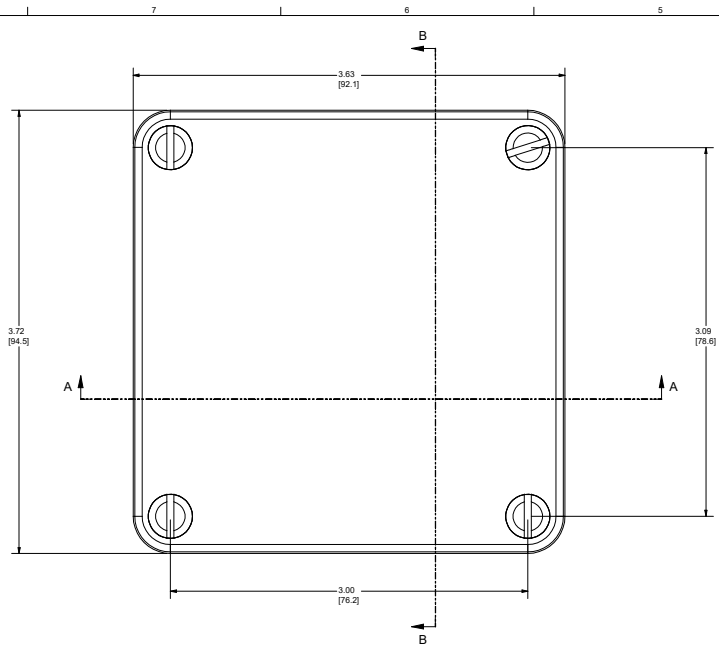


SECTION B-B

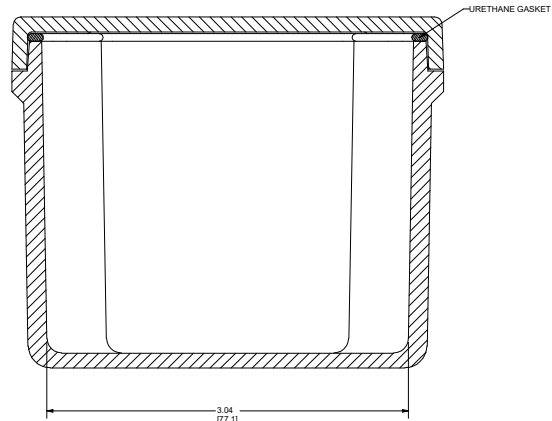
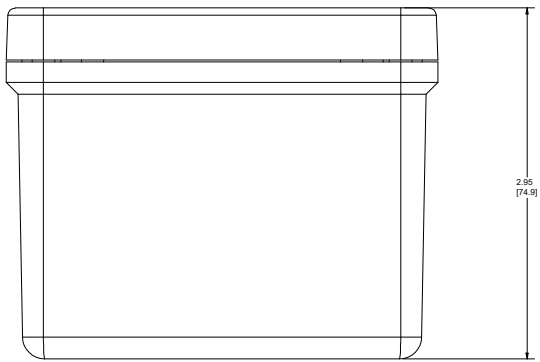


SECTION A-A

NOTES		1. 35. 44. 66. 12		ALL DIMENSIONS ARE INCHES (MILLIMETERS) UNLESS SPECIFIED		TOLERANCES xx ± 0.03(0.79) xxx ± 0.010 (0.25)	
MATERIAL		COLOR GLASSER GRAY BR1813		DR. BY		DATE	
FR POLYESTER FIBERGLASS				10/29/2007			
LTN	REVISION RECORD	DATE	BY	CHK	DATE		
-	-	-	-	-	-	BELDING, MICHIGAN 48809	
THIS DRAWING AND THE INFORMATION HEREON ARE OUR PROPERTY AND MAY BE USED BY OTHERS ONLY AS AUTHORIZED BY STS AND ENCLOSURES DIVISION OF BELDING INDUSTRIES. ALL RIGHTS RESERVED UNDER THE COPYRIGHT LAWS.				APD. BY	DATE	CUSTOMER	
				-	-	SCALE	
				-	-	DO NOT SCALE	
						PART NAME	PART NO.
							CF332
						SHT 1 OF 1	



SECTION B-B



SECTION A-A

NOTES		1. 35. 44. 66. 12		ALL DIMENSIONS ARE INCHES (MILLIMETERS) UNLESS SPECIFIED		TOLERANCES xx ± 0.03(0.79) xxx ± 0.010 (0.25)	
MATERIAL		COLOR GLASSER GRAY BR1813		DR. BY		DATE	
FR POLYESTER FIBERGLASS				10/29/2007			
LTN	REVISION RECORD	DATE	BY	CHK	DATE		
-	-	-	-	-	-	BELDING, MICHIGAN 48809	
THIS DRAWING AND THE INFORMATION HEREON ARE OUR PROPERTY AND MAY BE USED BY OTHERS ONLY AS AUTHORIZED BY STS AND ENCLOSURES DIVISION OF BELDING INDUSTRIES. ALL RIGHTS RESERVED UNDER THE COPYRIGHT LAWS.				APD. BY		DATE	
				SCALE		PART NAME	
				DO NOT SCALE		PART NO.	
						CF332	
						SHT 1 OF 1	