

CI-300 Series Low Voltage PIR Ceiling Sensors

Architecturally appealing low-profile appearance

Plug terminal wiring for quick and easy installation

Accepts low-voltage switch input for manual-on operation

Walk-through mode increases savings potential

Automatic or manual-on operation when used with a BZ-150 Power Pack

360° coverage



PROJECT
LOCATION/TYPE

Product Overview

Description

WattStopper's CI-300 Passive Infrared (PIR) Ceiling Sensors automatically turn lighting on and off based on occupancy. The sensor mounts on the ceiling with a flat, low-profile appearance and provides 360 degrees of coverage.

Operation

CI-300 Series Sensors operate on 24 VDC, VAC or halfwave rectified. Utilizing the latest PIR technology, they automatically turn lighting on when a difference is detected between infrared energy from a human body in motion and the background space. When no occupancy is detected for the length of the time delay, lighting automatically turns off. For manual-on operation, the CI-300 will operate with a low-voltage momentary switch.

Time Delay Options

The CI-300 is factory set for a 20 minute time delay, ideal for both energy savings and user satisfaction in most applications. Installers can quickly select other fixed time delays (5, 10, 15 or 30 minutes) via DIP switches. Fixed time delays eliminate the occupant dissatisfaction associated with an automatically adjusted time delay option, and reduce callbacks. Walk-through mode may be enabled for added energy savings in spaces with frequent transient traffic.

Applications

CI-300 Series Sensors have the flexibility to work in a variety of applications that include open office spaces, computer rooms, conference rooms, classrooms and warehouses. Areas with high ceilings or with two-level lighting can also be controlled. The convenient mounting system keeps installation costs down to speed up the product's payback.

Features

- Advanced control logic based on RISC microcontroller provides:
 - Detection Signature Processing to eliminate false triggers and provide immunity to RFI and EMI
 - Walk-through Mode turns lights off three minutes after the area is initially occupied – ideal for brief visits such as mail delivery
 - Built-in light level sensor featuring simple, one-step setup
- LED indicates occupancy detection
- CI-300 Series Sensors work with low-voltage momentary switches for manual control
- DIP switch simplifies sensor adjustments
- Clip-mounting system simplifies ceiling tile installation
- Plug terminal wiring system for quick and easy installation
- Available with isolated relay for integration with BAS or HVAC
- Sensor coverage tested to NEMA Guide Publication WD 7-2000

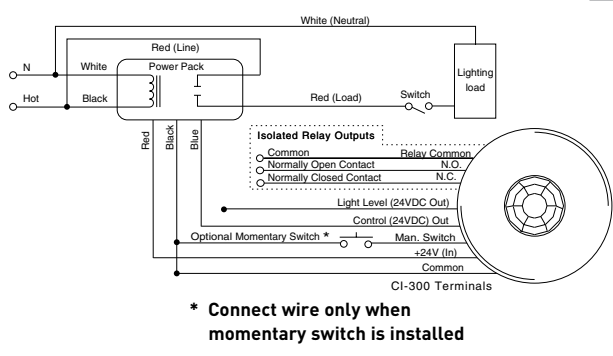


Specifications

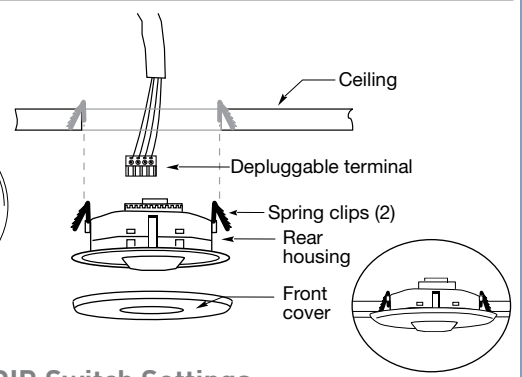
- 24 VDC/VAC
- Time delays: 5, 10, 15, 20, or 30 minutes, walk-through, test mode
- Sensitivity adjustment: PIR (high/low)
- Multilevel Fresnel lens provides 360° coverage
- CI-300 contains isolated relay with N/O and N/C outputs; rated for 1 Amp at 30 VDC/VAC
- CI-300 built-in light level sensor: 10 to 300 footcandles (107.6 to 3,229.2 lux)
- Mounting options: ceiling tile; 4" square junction box with double-gang mud ring
- Max. CI-300s per power pack: B=5, BZ=7
- Max. CI-305s per power pack: B=12, BZ=16
- Dimensions: 4.5" x 1.02" (114.3mm x 25.9mm) diameter x depth
- UL and cUL listed
- Five year warranty

Wiring & Mounting

Wiring Diagram

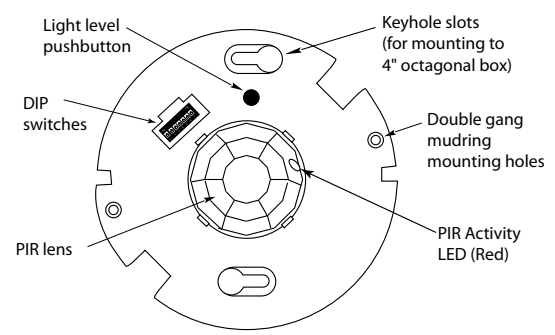


Ceiling Mounting



Controls & Settings

Product Controls



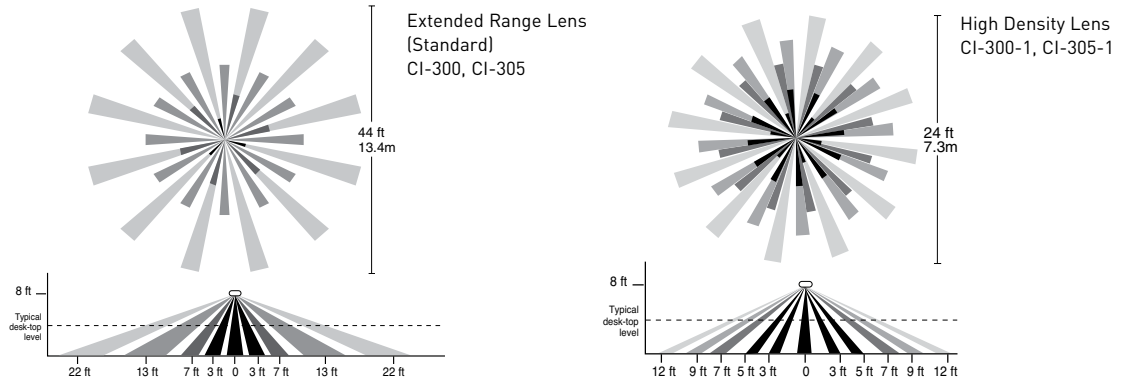
DIP Switch Settings

	Switch#	1	2	3
Time Delay				
Test Mode/20 min		↓	↓	↓
30 seconds		↓	↑	↑
5 minutes		↓	↓	↓
10 minutes		↓	↑	↑
15 minutes		↑	↓	↓
20 minutes		↑	↑	↑
25 minutes		↑	↓	↓
30 minutes		↑	↑	↑
Walk-Through	4			
Enabled		↑		
Disabled		↓	←	
PIR Sensitivity	5			
Minimum		↑		
Maximum		↓	←	
Service	6			
Service		↑		
Normal		↓	←	
On Mode	7			
Manual On		↑		
Auto On		↓	←	

← = Factory Setting
 ↑ = ON
 ↓ = OFF

Coverage

Coverage Patterns



Ordering Information

Catalog No.	Voltage	Current	Coverage	Features
<input type="checkbox"/> CI-300	24 VDC	20 mA	360°; up to 1200 ft ² [111.5 m ²]	Isolated relay, light level
<input type="checkbox"/> CI-300-1	24 VDC	20 mA	360°; up to 500 ft ² [46.5 m ²]	Isolated relay, light level
<input type="checkbox"/> CI-305	24 VDC	9 mA	360°; up to 1200 ft ² [111.5 m ²]	
<input type="checkbox"/> CI-305-1	24 VDC	9 mA	360°; up to 500 ft ² [46.5 m ²]	

Sensors are white.