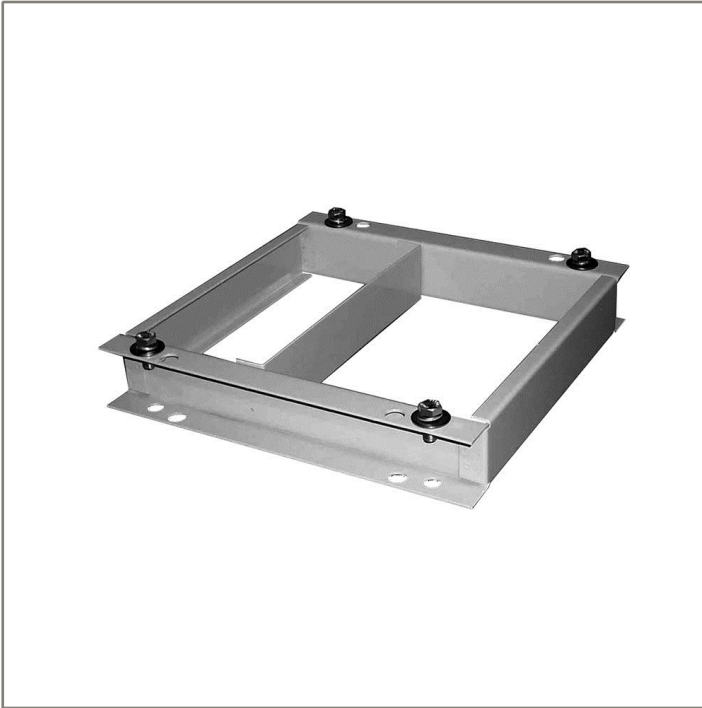




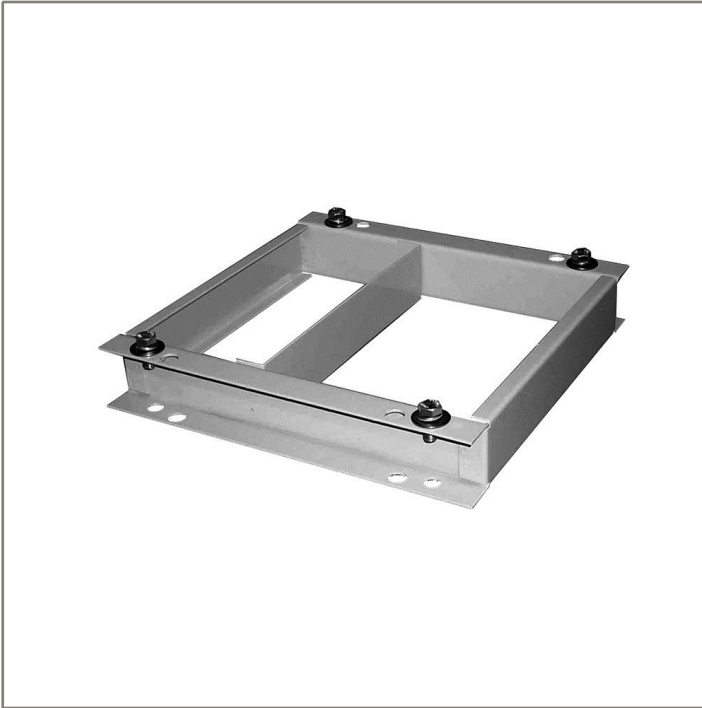
Catalog Number: CP-16PDMNT-CALT  
Item Description: COM MTR PED ACCESSORIES  
UPC Code: 784572164857



*Utility requirements may vary. Always consult the serving utility for their requirements prior to ordering or installing this equipment. This product must always be installed by a licensed electrician. Installation of this equipment may require local electrical inspector approval.*



Catalog Number: CP-16PDMNT-CALT  
Item Description: COM MTR PED ACCESSORIES  
UPC Code: 784572164857



*Utility requirements may vary. Always consult the serving utility for their requirements prior to ordering or installing this equipment. This product must always be installed by a licensed electrician. Installation of this equipment may require local electrical inspector approval.*