

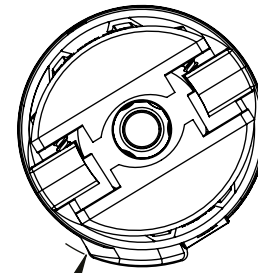
4

3

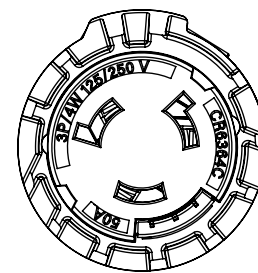
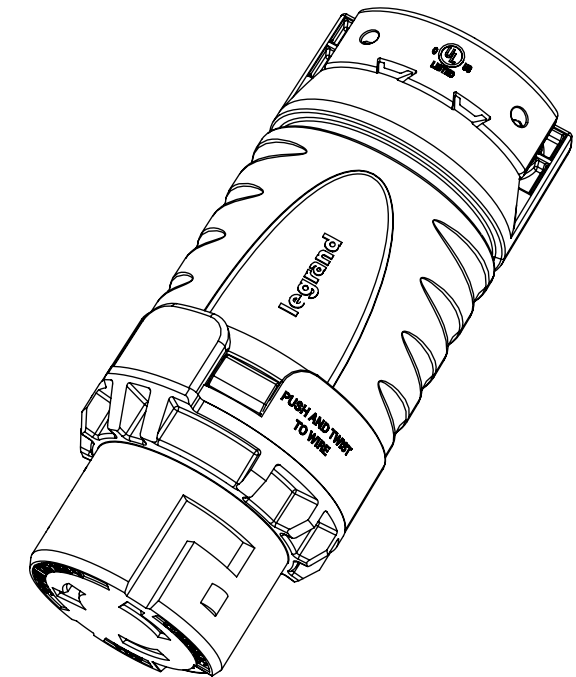
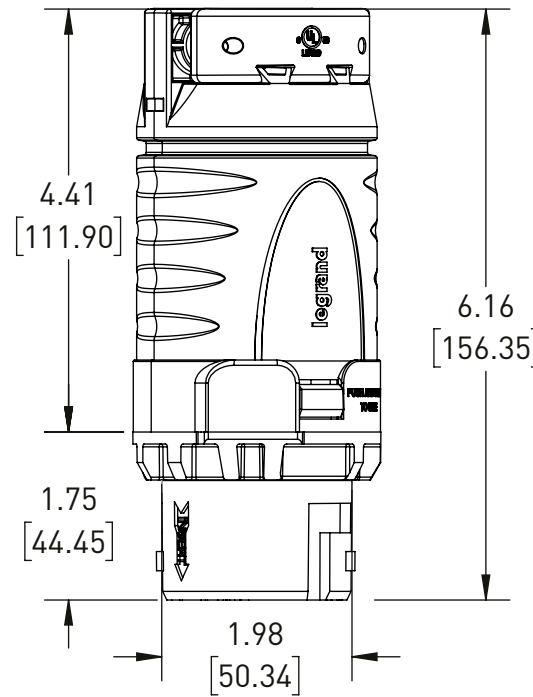
2

1

REVISIONS					
REV.	EC. NO.	DATE	DESCRIPTION	CREATED BY	CHECKED BY
A		3/4/2024	RELEASE	JR	



Ø 2.86  
[72.61]



Notes:

- BASE CATALOG NUMBER- CR6364C
- ELECTRICAL RATING: 3P/4W 50A 125/250V
- 3RD PARTY LISTING:
  - cULus LISTED:
    - File Number E146159
    - Standard UL498, Attachment Plugs and Receptacles
    - Standard CSA-C22.2 No. 42, General Use Receptacles and Attachment Plugs
- TERMINATIONS:
  - Back wire set screw terminals
  - #8 TO#4 AWG WIRE
- USE COPPER WIRE ONLY
- MATERIAL: NYLON

**ENVIRONMENTAL MATERIAL REQUIREMENTS**  
 MATERIALS, PRODUCTS, PARTS AND ASSEMBLIES PROVIDED UNDER THIS DRAWING MUST MEET THE REQUIREMENTS DETAILED IN THE LATEST REVISION OF THE LEGRAND, NORTH & CENTRAL AMERICA CORPORATE ENVIRONMENTAL MATERIAL REQUIREMENTS (EMR) DOCUMENT EMS-009. ANY DEVIATION FROM THE EMR REQUIREMENTS MUST BE APPROVED BY AN AUTHORIZED REPRESENTATIVE OF LEGRAND PRODUCT ENGINEERING IN WRITING. THE LATEST EMR DOCUMENT IS AVAILABLE ON REQUEST.

Unspecified Tol. Frac ±1/64 Angles ±1.0	Tool Number:	Finish:	Drawing Title CUSTOMER DRAWING CR6364C		Scale: 1:2 Sheet: 1 of 1 Recom Drawing No:
	Material:		Part Weight:		
	Created By: Josh RYAN	Date: 3/4/2024	Model Number: CR6364C		Rev. A
	Checked By:		Date:	P&S Drawing No. CAD3322-PS-CR6364C	
Do Not Scale Drawing	NOTICE: Proprietary and confidential information of Pass & Seymour/Legrand. Reproduction or disclosure prohibited under penalty of law.				

4

3

2

1