






## Skylark Contour Quiet Fan Speed Control

Captive knob slide control with an easy to use rocker switch.

### Product Family Features

- On/off rocker switch with a captive slider for a standard designer wallplate opening
- Switch returns load to previous level
- Uses standard single-pole or 3-way wiring for easy installation in any home
- 100% factory tested
- Coordinating Claro and Stainless Steel wallplates available separately
- Available in all Claro gloss colors
- Skylark Contour Family:
  -  Incandescent/Halogen
  -  Electronic Low Voltage (ELV)
  -  Magnetic Low Voltage (MLV)
  -  Quiet Fan Speed
  -  Compact Fluorescent (CFL)/LED

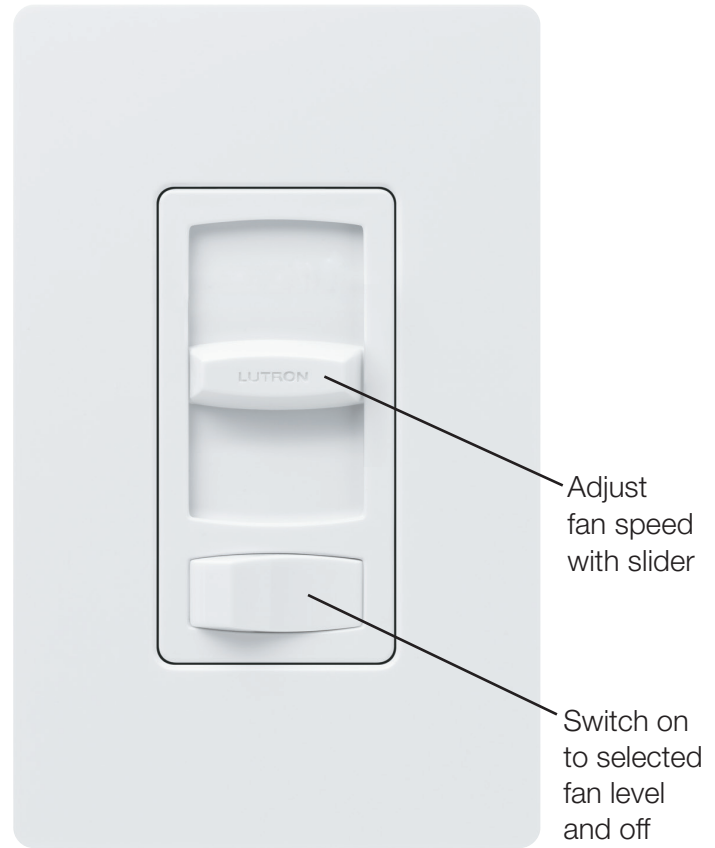
### Colors and Finishes

#### Gloss Finishes

Add color suffix to model #

**Example: CTFSQ-F-WH**

WH	White
IV	Ivory
AL	Almond
LA	Light Almond
GR	Gray
BR	Brown
BL	Black



Wallplate sold separately

### Product Specific Features

- Quiet 3-speed control for use with one ceiling paddle fan

### Model Number

**CTFSQ-F-XX<sup>1,2</sup>** Single pole/3-way<sup>3</sup>, 3-speed 1.5 A

**CTFSQ-FH-XX-C<sup>4</sup>** Single pole/3-way<sup>3</sup>, 3-speed 1.5A

#### Notes:

- <sup>1</sup> XX Gloss color codes, see section "Colors and Finishes" at left
- <sup>2</sup> For clamshell packaging, add an "H" after the F.
- <sup>3</sup> For 3-way and 4-way switching, use Claro switches or other mechanical switches.
- <sup>4</sup> Clamshell packaged product for Canada.

Job Name:	Model Numbers:
Job Number:	

## Specifications

### Regulatory Approvals

- UL Listed to US and Canadian safety standards UL1917 / CSA C22.2 156-M1987
- NOM Certified

### Power and Ratings

- 120 V~ 60 Hz
- 1.5 A Ceiling Paddle Fan

### Environment

- For indoor use only
- Operating temperatures 32 °F (0 °C) to 104 °F (40 °C)

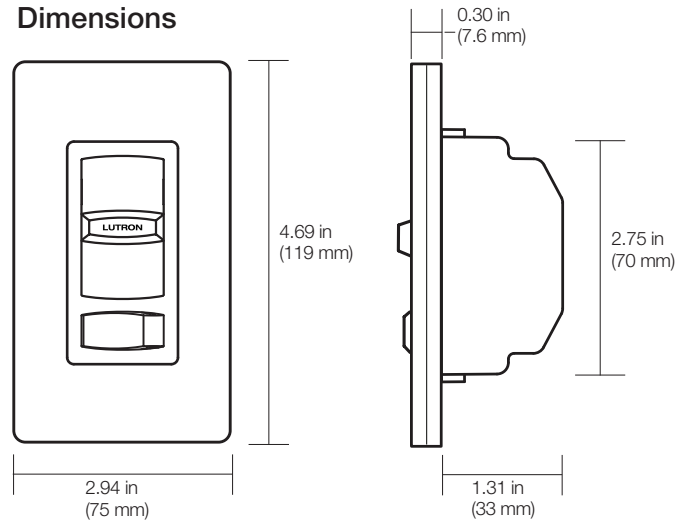
### Performance

- Power-failure memory
- Captive linear slider
- Electrostatic discharge tested
- Precise color matching
- Mechanical air-gap switch to disconnect load power

### Fan Speed Control Capacity Chart

Fan Rating	No sides removed	1 side removed	2 sides removed
1.5 A	1.5 A max	1.5 A max	1.5 A max

### Dimensions



**Note:** Requires a U.S. wallbox. 2 ½ in (64 mm) deep minimum.

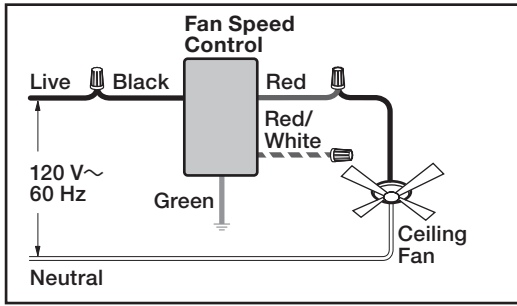
### Warranty

- 1 Year Limited Warranty  
For additional Warranty information, please visit [www.lutron.com/TechnicalDocumentLibrary/369-119\\_Wallbox\\_Warranty.pdf](http://www.lutron.com/TechnicalDocumentLibrary/369-119_Wallbox_Warranty.pdf)

<b>Job Name:</b>	<b>Model Numbers:</b>
<b>Job Number:</b>	

### Wiring Diagrams

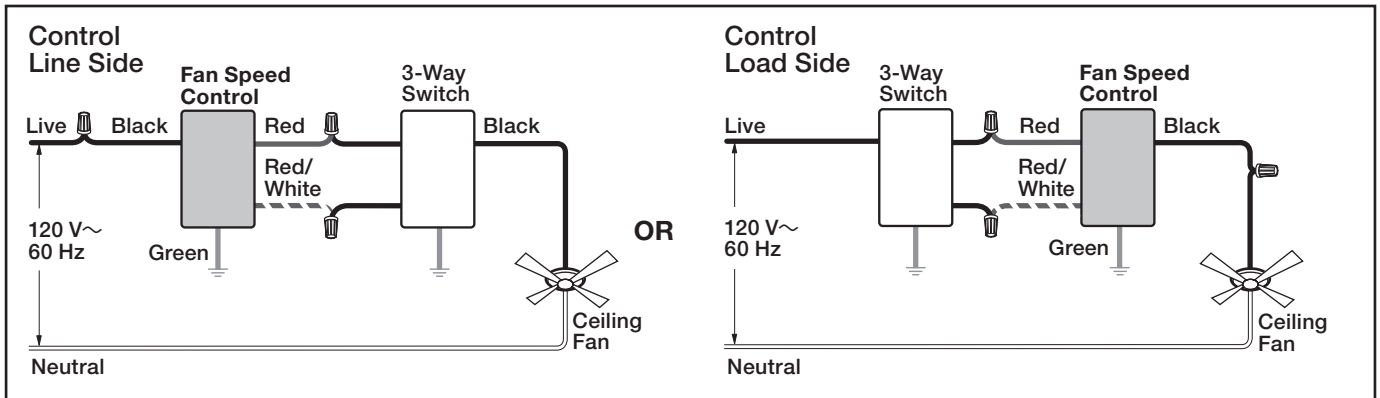
#### Single-Pole Wiring



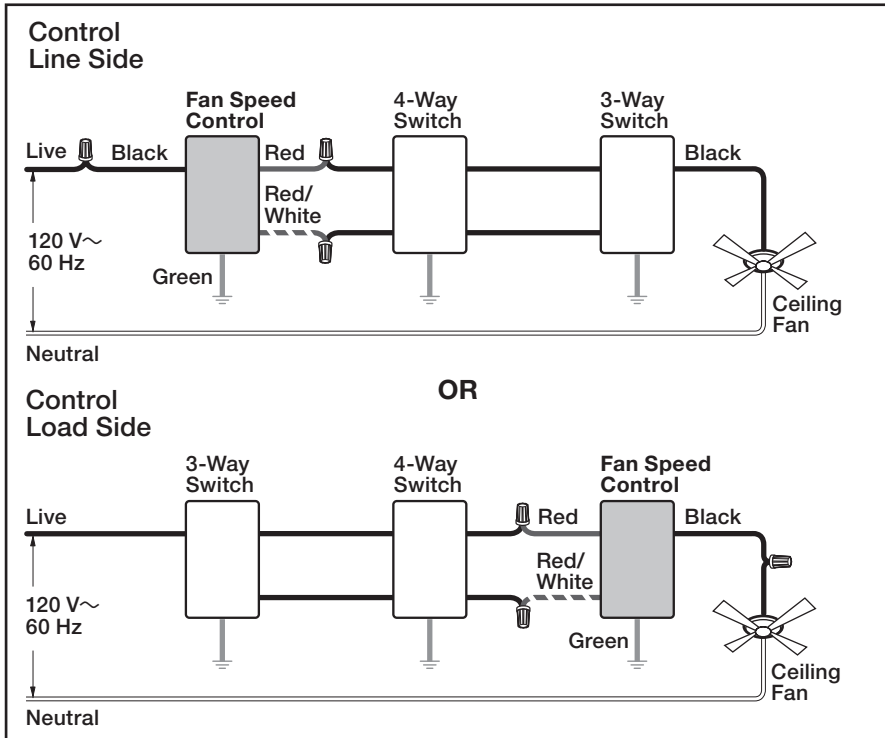
**Note:** Skylark Contour Quiet Fan Speed Controls are designed to control ceiling fan motors only.

Do not use to control ceiling fan lighting or lighting fixtures.

#### 3-Way Wiring



#### 4-Way Wiring



Lutron, Lutron, Skylark, Skylark Contour and Claro are trademarks of Lutron Electronics Co., Inc., registered in the U.S. and other countries.

Job Name:	Model Numbers:
Job Number:	