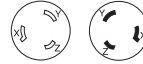


Industrial grade L12-30 locking devices

Project Name:	Prepared By:
Project Number:	Date:
Catalog Number:	Type:

Description

NEMA L12-30 30A, 3Ø 480V/AC, 3P-3W



L12-30R L12-30P



CWL1230P



CWL1230C



CWL1230R



CWL1230FO

Design features for plug & connector

- Nylon construction
- EPDM gasket seals cord hole from dust and debris
- Back wire terminal clamps for easy secure wiring
- Individual wiring compartments with tapered channel for easy insertion of wires
- Clear cover over wiring compartments allows easy inspection of wiring terminations

Design features for receptacle

- Clearly marked rating, NEMA configuration and approval listings on receptacle face
- One piece brass contacts offer superior performance and minimum heat rise
- Back and side wiring terminal clamps for easy, secure wiring

Design features for flanged inlet & outlet

- All nylon construction
- Mounting holes interchangeable with competitive units
- Back wire terminal clamps for easy, secure wiring
- Individual wiring compartments with tapered channel for easy insertion of wires

Table 1. NEMA L12-30 Industrial Grade Locking Devices

Catalog No.	Description	Amps	Volts	Color
<input type="checkbox"/> CWL1230P	Safety grip plug, 3-phase	30	480	Black & white
<input type="checkbox"/> CWL1230C	Safety grip connector, 3-phase	30	480	Black & white
<input type="checkbox"/> CWL1230R	Single receptacle, 3-phase	30	480	Black
<input type="checkbox"/> CWL1230FO	Flanged outlet, 3-phase	30	480	White
<input type="checkbox"/> CWL1230FI	Flanged inlet, 3-phase	30	480	White

Compliances, specifications and availability are subject to change without notice.



Powering Business Worldwide

Project Name:	Prepared By:
Project Number:	Date:
Catalog Number:	Type:

Plug & Connector

NEMA L12-30 30A, 3Ø 480V/AC, 3P-3W

Table 2. Specifications

Catalog No.	NEMA L12-30 Plug & Connector
NEMA Config	NEMA L12-30
Wiring Type	Back wire
Environmental Specifications	Flammability: Meets UL94 requirements; V2 rated Temperature Rating: -40°C to 60°C (-40°F to 140°F)
Electrical Specifications	Dielectric Voltage: Twice the device rating + 1000V per UL498 Current Interrupting: Yes, at full-rated current Temperature Rise: Max. 30°C (86°F) after 50 cycles of overload at 150% of rated current (DC)
Mechanical Specifications	Terminal Accommodation: #18 - #8 AWG Voltage Ratings: Permanently marked on device

Table 3. Materials

Catalog No.	NEMA L12-30 Plug & Connector
NEMA Config	NEMA L12-30
Outer Shell	Nylon
Interior Body	Nylon
Terminal Retainer	Polycarbonate
Blades	Brass
Line Contacts	Brass
Terminal Clamps	Steel
Terminal Screws	#10-32 brass, nickel plated (neutral)
Ground Screw	#10-32 brass
Assembly Screws	Steel, zinc plated
Gasket/Dust Shield	EPDM
Cord Clamp Screws	Steel, zinc plated
Cord Clamp	Nylon

Product Dimensions

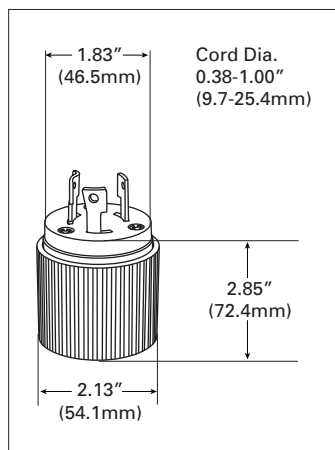


Figure 1. CWL1230P

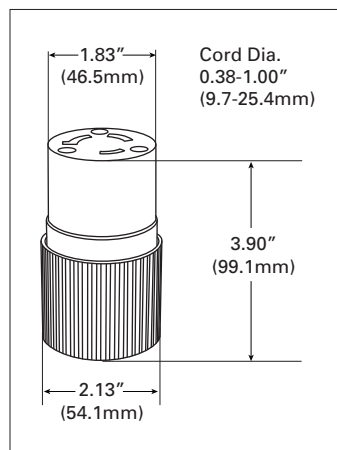


Figure 2. CWL1230C

Compliances, specifications and availability are subject to change without notice.

Project Name:	Prepared By:
Project Number:	Date:
Catalog Number:	Type:

Single Receptacle

NEMA L12-30 30A, 3Ø 480V/AC, 3P-3W

Table 4. Specifications

Catalog No.	NEMA L12-30 Single Receptacle
NEMA Config	NEMA L12-30
Wiring Type	Back & side wire
Environmental Specifications	Flammability: Meets UL94 requirements; V0 rated Temperature Rating: -40°C to 60°C (-40°F to 140°F)
Electrical Specifications	Dielectric Voltage: ≤300V: 2000V, 301-600V: 3000V per UL498 Current Interrupting: Yes, at full-rated current Temperature Rise: Max. 30°C (86°F) after 50 cycles of overload @ 150% of rated current (DC)
Mechanical Specifications	Terminal Accommodation: #14 - #8 AWG Voltage Ratings: Permanently marked on device

Table 5. Materials

Catalog No.	NEMA L12-30 Single Receptacle
NEMA Config	NEMA L12-30
Face	Glass-filled nylon
Base	Glass-filled nylon
Mounting Strap	0.050" thick pre-plated steel
Auto Ground Clip	N/A
Line Contacts	0.032" thick brass
Terminal Screws	#10-32 brass
Ground Screw	#10-32 brass (green)
Mounting Screws	Steel, zinc plated

Product Dimensions

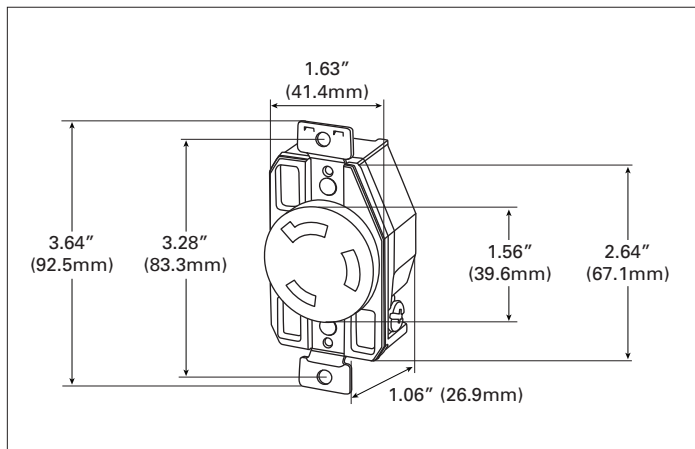


Figure 3. CWL1230R

Compliances, specifications and availability are subject to change without notice.

Project Name:	Prepared By:
Project Number:	Date:
Catalog Number:	Type:

Flanged Inlet & Outlet

NEMA L12-30 30A, 3Ø 480V/AC, 3P-3W

Table 6. Specifications

Catalog No.	NEMA L12-30 Flanged Inlet & Outlet
NEMA Config	NEMA L12-30
Wiring Type	Back wire
Environmental Specifications	Flammability: Meets UL94 requirements; V2 rated Temperature Rating: -40°C to 75°C (-40°F to 167°F)
Electrical Specifications	Dielectric Voltage: ≤300V: 2000V, 301-600V: 3000V per UL498 Current Interrupting: Yes, at full-rated current Temperature Rise: Flanged outlets: max. 30°C (86°F) after 50 cycles of overload @ 150% of rated current (DC); flanged inlets; max. 30°C (86°F) @ maximum rated current (DC)
Mechanical Specifications	Terminal Accommodation: #14 - #8 AWG Voltage Ratings: Permanently marked on device

Table 7. Materials

Catalog No.	NEMA L12-30 Flanged Inlet & Outlet
NEMA Config	NEMA L12-30
Outer Shell	Nylon
Interior Body	Nylon
Terminal Retainer	Polycarbonate
Blades	0.060" thick brass
Line Contacts	0.060" thick brass
Terminal Clamps	Steel
Terminal Screws	#10-32 brass
Ground Screw	#10-32 brass (green)
Assembly Screws	Steel, zinc plated
Mounting Screws	Steel, zinc plated

Product Dimensions

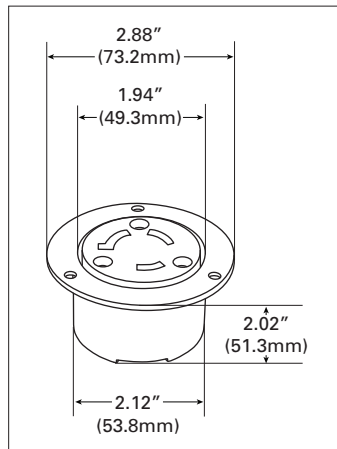


Figure 4. CWL1230FO

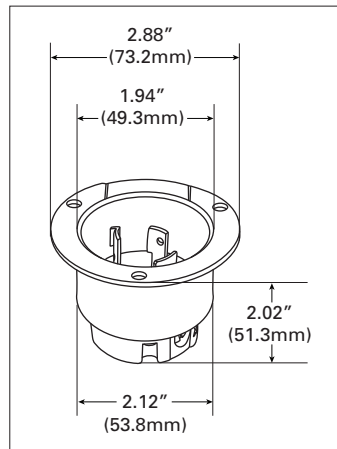


Figure 5. CWL1230FI

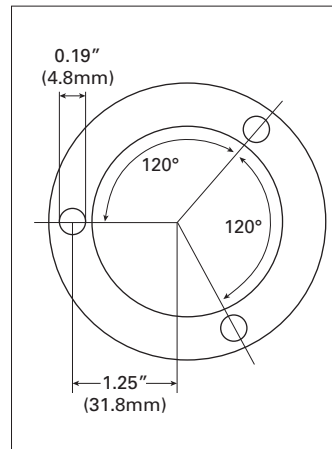












Figure 6. Top View


Compliances, specifications and availability are subject to change without notice.

Project Name:	Prepared By:
Project Number:	Date:
Catalog Number:	Type:

Certifications & Compliances

Catalog No.					
CWL1230P	•	•	•	•	•
CWL1230C	•	•	•	•	•
CWL1230R	•	•	•	•	•
CWL1230FO	•	•	•	•	•
CWL1230FI	•	•	•	•	•

KEY:  cULus  UL  CSA  NAFTA  ROHS

 Parts are manufactured and designed in accordance with article 4 of the European Union's RoHS2 directive 2011/65/EU

Compliances, specifications and availability are subject to change without notice.

Electrical Sector
203 Cooper Circle
Peachtree City, GA 30269
United States
Eaton.com
Arrowhart.com

Electrical Sector
Canada Operations
5925 McLaughlin Road
Mississauga, Ontario, L5R 1B8
Canada
EatonCanada.ca
Arrowhart.com

Electrical Sector
Mexico Operations
Carr. Tlalnepantla -
Cuautitlan Km 178 s/n
Col. Villa Jardin esq.
Cerrada 8 de Mayo
Cuautitlan, Mexico CP 54800
Mexico
Eaton.mx
Arrowhart.com

Eaton
1000 Eaton Boulevard
Cleveland, OH 44122
United States
Eaton.com

© 2014 Eaton
All Rights Reserved
Printed in USA
Publication No. 125-0101-13
January 2014

Eaton is a registered trademark.

All other trademarks are property
of their respective owners.