

DESCRIPTION

An efficient 4' LED wrap style fixture that provides an economical solution for exceptional light distribution in general areas.



tradeSELECT™



FEATURES

- 4,000 nominal lumens
- Up to 124 lumens per watt
- Choice of two color temperatures
- 0-10V dimming, standard
- Fully assembled for quick installation
- Frosted acrylic lens
- Wide range of applications
- Universal Voltage (120-277V)
- 80+ CRI
- DesignLights Consortium® (DLC) qualified; see www.designlights.org

STANDARDS, CERTIFICATION AND COMPLIANCE

All luminaires are built to UL1598 standards and bear appropriate UL labels. DesignLights Consortium® (DLC) qualified. Please refer to the DLC website for specific product qualifications at www.designlights.org.

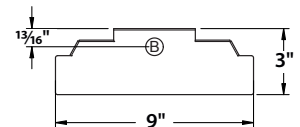
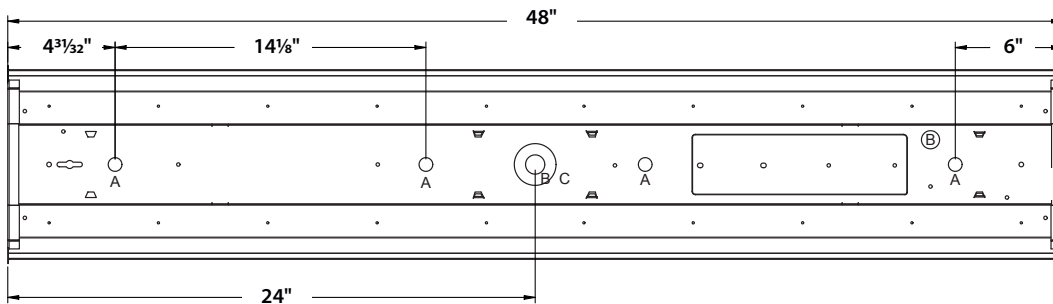
WARRANTY

Five year warranty. Terms and conditions apply.

ORDERING GUIDE

Catalog Number	Description	Lumens	Watts	LPW	Qty on Pallet
CWP4-4035	4ft LED Wrap, 4,000 Lumens, 3500K, 0-10V dimming	4584	36.9	124	33
CWP4-4040	4ft LED Wrap, 4,000 Lumens, 4000K, 0-10V dimming	4584	36.9	124	33

DIMENSIONS



- A - 1/2" Diameter Knockout
- B - 7/8" Diameter Knockout
- C - 2" Diameter Knockout

PHOTOMETRIC DATA

Test #17623 Test Date 12/10/2016

LUMINAIRE DATA

Luminaire	CWP4-4035 tradeSELECT® CWP, Wraps 48" x 9" Led with white reflector and prismatic acrylic lens
Ballast	SMT/38-1900
Ballast Factor	1.00
Lamp	LED
Fixture Lumens	4584
Watts	36.86
Mounting	Surface
Shielding Angle	0° = 90 90° = 90
Spacing Criterion	0° = 1.17 90° = 1.11
Luminous Opening in Feet	Length: 4.00 Width: 0.75 Height: 1.69

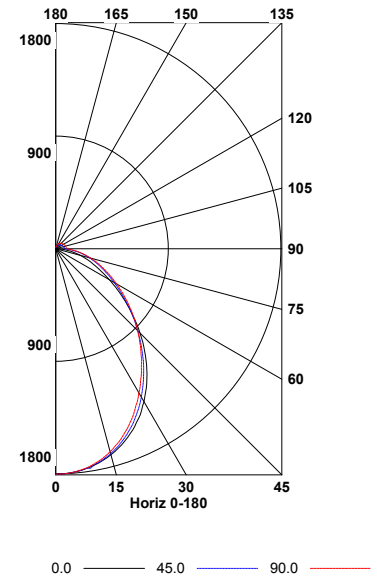
ZONAL LUMEN SUMMARY

Zone	Lumens	% Lamp	% Fixt.
0-30	1345	29.3	29.3
0-40	2124	46.3	46.3
0-60	3450	75.3	75.3
0-90	4303	93.9	93.9
0-180	4584	100.0	100.0

ENERGY DATA

Total Luminaire Efficiency	100.0%
Total Lumens per Watt	124
IESNA RP-1-2004 Compliance	Non-Compliant
Comparative Yearly Lighting Energy Cost per 1000 Lumens	\$1.94 based on 3000 hrs. and \$0.08 per KWH

INDOOR CANDELA PLOT



PHOTOMETRIC DATA

Test #17776 Test Date 12/10/2016

LUMINAIRE DATA

Luminaire	CWP4-4040 tradeSELECT® CWP, Wraps 48" x 9" LED with white reflector and prismatic acrylic lens
Ballast	SMT/38-1900
Ballast Factor	1.00
Lamp	LED
Fixture Lumens	4584
Watts	36.86
Mounting	Recessed
Shielding Angle	0° = 90 90° = 90
Spacing Criterion	0° = 1.17 90° = 1.11
Luminous Opening in Feet	Length: 4.00 Width: 0.75 Height: 1.69

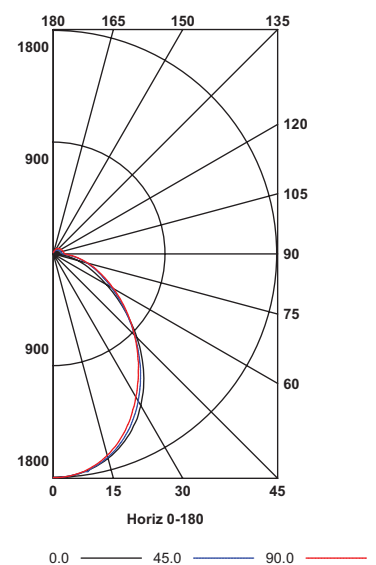
ZONAL LUMEN SUMMARY

Zone	Lumens	% Lamp	% Fixt.
0-30	1345	29.3	29.3
0-40	2124	46.3	46.3
0-60	3450	75.3	75.3
0-90	4303	93.9	93.9
0-180	4584	100.0	100.0

ENERGY DATA

Total Luminaire Efficiency	100.0%
Total Lumens per Watt	124
IESNA RP-1-2004 Compliance	Non-Compliant
Comparative Yearly Lighting Energy Cost per 1000 Lumens	\$1.94 based on 3000 hrs. and \$0.08 per KWH

INDOOR CANDELA PLOT



DESCRIPTION

An efficient 4' LED wrap style fixture that provides an economical solution for exceptional light distribution in general areas.



tradeSELECT™



FEATURES

- 4,000 nominal lumens
- Up to 124 lumens per watt
- Choice of two color temperatures
- 0-10V dimming, standard
- Fully assembled for quick installation
- Frosted acrylic lens
- Wide range of applications
- Universal Voltage (120-277V)
- 80+ CRI
- DesignLights Consortium® (DLC) qualified; see www.designlights.org

STANDARDS, CERTIFICATION AND COMPLIANCE

All luminaires are built to UL1598 standards and bear appropriate UL labels. DesignLights Consortium® (DLC) qualified. Please refer to the DLC website for specific product qualifications at www.designlights.org.

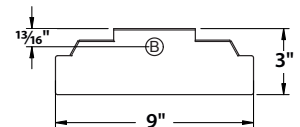
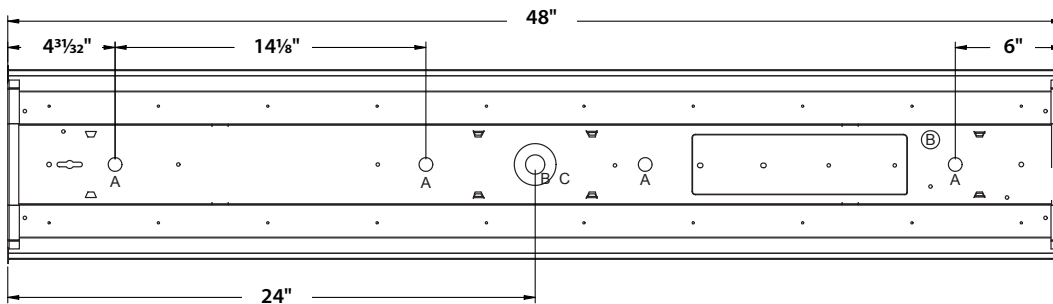
WARRANTY

Five year warranty. Terms and conditions apply.

ORDERING GUIDE

Catalog Number	Description	Lumens	Watts	LPW	Qty on Pallet
CWP4-4035	4ft LED Wrap, 4,000 Lumens, 3500K, 0-10V dimming	4584	36.9	124	33
CWP4-4040	4ft LED Wrap, 4,000 Lumens, 4000K, 0-10V dimming	4584	36.9	124	33

DIMENSIONS



- A - 1/2" Diameter Knockout
- B - 7/8" Diameter Knockout
- C - 2" Diameter Knockout

PHOTOMETRIC DATA

Test #17623 Test Date 12/10/2016

LUMINAIRE DATA

Luminaire	CWP4-4035 tradeSELECT® CWP, Wraps 48" x 9" Led with white reflector and prismatic acrylic lens
Ballast	SMT/38-1900
Ballast Factor	1.00
Lamp	LED
Fixture Lumens	4584
Watts	36.86
Mounting	Surface
Shielding Angle	0° = 90 90° = 90
Spacing Criterion	0° = 1.17 90° = 1.11
Luminous Opening in Feet	Length: 4.00 Width: 0.75 Height: 1.69

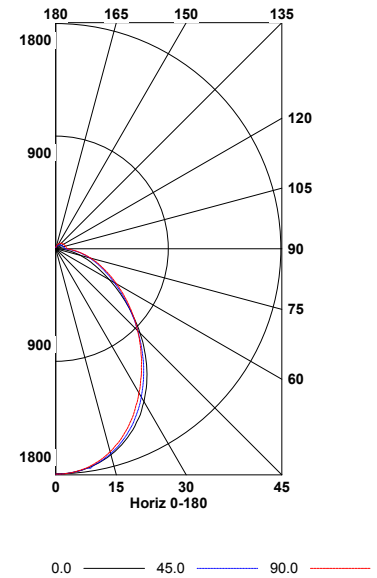
ZONAL LUMEN SUMMARY

Zone	Lumens	% Lamp	% Fixt.
0-30	1345	29.3	29.3
0-40	2124	46.3	46.3
0-60	3450	75.3	75.3
0-90	4303	93.9	93.9
0-180	4584	100.0	100.0

ENERGY DATA

Total Luminaire Efficiency	100.0%
Total Lumens per Watt	124
IESNA RP-1-2004 Compliance	Non-Compliant
Comparative Yearly Lighting Energy Cost per 1000 Lumens	\$1.94 based on 3000 hrs. and \$0.08 per KWH

INDOOR CANDELA PLOT



PHOTOMETRIC DATA

Test #17776 Test Date 12/10/2016

LUMINAIRE DATA

Luminaire	CWP4-4040 tradeSELECT® CWP, Wraps 48" x 9" LED with white reflector and prismatic acrylic lens
Ballast	SMT/38-1900
Ballast Factor	1.00
Lamp	LED
Fixture Lumens	4584
Watts	36.86
Mounting	Recessed
Shielding Angle	0° = 90 90° = 90
Spacing Criterion	0° = 1.17 90° = 1.11
Luminous Opening in Feet	Length: 4.00 Width: 0.75 Height: 1.69

ZONAL LUMEN SUMMARY

Zone	Lumens	% Lamp	% Fixt.
0-30	1345	29.3	29.3
0-40	2124	46.3	46.3
0-60	3450	75.3	75.3
0-90	4303	93.9	93.9
0-180	4584	100.0	100.0

ENERGY DATA

Total Luminaire Efficiency	100.0%
Total Lumens per Watt	124
IESNA RP-1-2004 Compliance	Non-Compliant
Comparative Yearly Lighting Energy Cost per 1000 Lumens	\$1.94 based on 3000 hrs. and \$0.08 per KWH

INDOOR CANDELA PLOT

