

## Contactors, Types DP and DPA—Class 8910

Definite purpose contactors are ideal for heating, air conditioning, refrigeration, data processing, and food service equipment. New, compact 1- and 2-pole contactors are available as well as full-size devices with 2, 3, or 4 poles. They feature the following:

- Quick connect terminals and binder head screws allow for easy wiring.
- Box lugs are standard on 40 A contactors and larger.
- An exclusive DIN track mounting option may reduce installation costs.
- Coils can be changed quickly, without a tool, on the Type DPA, 50–90 A contactors.
- Auxiliary contact modules snap on either side of the Type DPA contactors.

**Table 1: Compact 1-Pole Contactors—600 Vac Maximum**

Full Load Amperes	Locked Rotor Amperes			Resistive Load Amperes	N.O. Poles	Type [1]
	277 V	460 V	575 V			
20	120	100	80	25	1	DP11
25	150	125	100	30	1	DP21
30	150	125	100	40	1	DP31
40	240	200	160	50 [2]	1	DP41

<sup>1</sup> Specify the voltage code when ordering this product. Refer to Table 7 on page 4.

<sup>2</sup> 50 A resistive limited to 277 V. Voltages above 277 V are rated 40 A resistive.



**Type DP22V09  
2 pole**

**Table 2: Compact 2-Pole Contactors—600 Vac Maximum [1]**

Full Load Amperes	Locked Rotor Amperes			Resistive Load Amperes	N.O. Poles	Type [2]
	277 V	460 V	575 V			
20	120	100	80	30	2	DP12
25	150	125	100	35	2	DP22
30	150	125	100	40	2	DP32
40	240	200	160	50	2	DP42

<sup>1</sup> Above 240 V, all lines must be switched.

<sup>2</sup> Specify the voltage code when ordering this product. Refer to Table 7 on page 4.



**Type DP42V14  
2 pole**

**Table 3: 2, 3, and 4-Pole Contactors—600 Vac Maximum [1]**

Full Load Amperes	Locked Rotor Amperes			Resistance Load Amperes	Horsepower Ratings				N.O. Poles	Type [2]
	230 V	460 V	575 V		115 V, 1Ø	230 V, 1Ø	230 V, 3Ø	460/575 V, 3Ø		
20	120	100	80	30	1.5	3	7.5	7.5	2 3 4	DPA12 DPA13 DPA14
25	150	125	100	35	2	5	10	15/20	2 3 4	DPA22 DPA23 DPA24
30	180	150	120	40	2	5	10	15/20	2 3 4	DPA32 DPA33 DPA34
40	240	200	160	50	3	7.5	10	20/25	2 3 4	DPA42 DPA43 DPA44
50	300	250	200	62	3	10	15	30	2 3	DPA52 DPA53
60	360	300	240	75	5	10	25	30	2 3	DPA62 DPA63
75	450	375	300	94	5	15	25	40	2 3	DPA72 DPA73
90	540	450	360	120	7.5	20	30	50	2 3	DPA92 DPA93

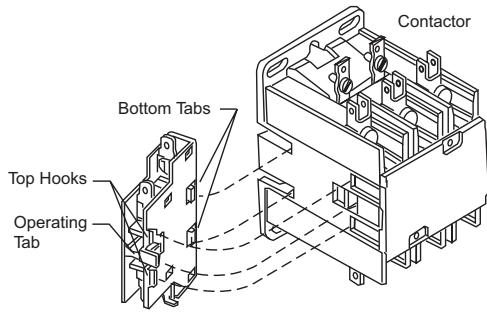
<sup>1</sup> Above 240 V, all lines must be switched.

<sup>2</sup> Specify the voltage code when ordering this product. Refer to Table 7 on page 4.



**Type DPA33V04  
3 pole**

# Definite Purpose Control Contactors, Types DP and DPA—Class 8910



**Auxiliary Contact Installation  
for 50–90 A  
(no tools required)**

**Table 4: 2 N.O. and 2 N.C. 4-Pole Contactors—600 Vac Maximum [1]**

Full Load Amperes	Resistive Load Amperes	N.O. Poles	N.C. Poles [2]	Class 8910	
				Type [3]	Form
20	25	2	2	DPA14	Y392
25	35	2	2	DPA24	Y392
30	40	2	2	DPA34	Y392

<sup>1</sup> Above 240 V, all lines must be switched.

<sup>2</sup> The N.C. poles are on the outside. The N.C. poles open before the N.O. poles close.

<sup>3</sup> Specify the voltage code when ordering this product. Refer to Table 7.

**Table 5: Auxiliary Contacts**

For Use with Class 8910 Type	Contact Arrangement	Class 9999 Type	
		20–40 A	50–90 A
DPA	1 N.O.	DD10	D10
	1 N.C.	DD01	D01
	1 N.O. and 1 N.C.	DD11	D11
	2 N.O.	DD20	D20

**Table 6: NEMA Type 1 General Purpose Enclosures  
for Type DP and DPA Contactors**



Class 8910 Type	Full Load Amperes	Poles	Class 9991 Type
DP	20–40	1 and 2	DPG1
DPA	20–40	2 and 3	DPG1
DPA	50	2 and 3	DPG2
DPA	20–40	4	DPG2
DPA	60–75	2 and 3	DPG3
DPA	90	2 and 3	DPG4

**Table 7: Coil Voltage Codes**

Voltage		Code Type DP, DPA
60 Hz	50 Hz	
24	24	V14
24	—	—
120	110	V02
208	—	—
208–240	220	V09
230–240	220	—
277	—	V04
480	440	V06
600	550	V07 [1]

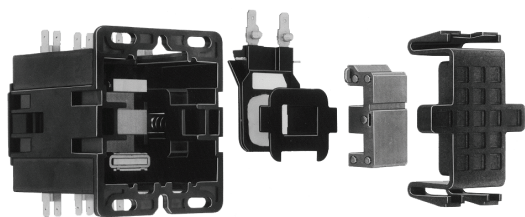
<sup>1</sup> Not available for Type DP, 1- and 2-pole devices.

**Table 8: Types DP and DPA Specifications**

<b>Mechanical Life</b>	500,000 operations [1]
<b>Electrical Life</b> Type DP Type DPA	100,000 operations 200,000 operations
<b>Duty Cycle</b>	Continuous
<b>Operating Temperature</b>	0 °C to +65 °C (32 °F to +149 °F)
<b>Slip-on Connector Rating</b>	30 A 75 °C wire
<b>Approvals</b>	 UL Recognized File E3190 CCN NLDX2  <small>CSA Certified File 220240 Class 201104</small>

<sup>1</sup> Actual product life will vary based on electrical load, duty cycle, application, and environmental conditions.

# Definite Purpose Control Contactors, Types DP and DPA—Class 8910



**Coil Replacement 50–60 A  
(no tools required)**

**Table 9: Class 8910 Type DPA Replacement Coils**

Full Load Amperes	Poles	Class 9998 Type <sup>[1]</sup>	Volt-Amperes <sup>[2]</sup>	
			Inrush	Sealed
50–60	2 and 3	DA2V	109	10
75–90	2 and 3	DA3V	214	19

<sup>1</sup> Append the suffix from Table 10. For example, the coil for Class 8910 Type DPA53V02 120 V, 60 Hz would be a Class 9998 Type DA2V02.

<sup>2</sup> For Types DP11 through DP32: Inrush 33 VA; Sealed 8 VA. Coils are not replaceable. For Types DPA12 through DPA44: Inrush 60 VA, Sealed 6 VA. Coils are not replaceable.

**Table 10: Type DPA Coil Voltage Codes**

Voltage, 60 Hz	Voltage, 50 Hz	Voltage Code
24	24	V14
120	110	V02
208–240	220	V09
277	—	V04
480	440	V06
600	550	V07 <sup>[1]</sup>

<sup>1</sup> Available for Type DPA contactors only.

**Table 11: Power Terminals**

Full Load Amperes	Power Terminals	
	Type of Lug	Sizes, AWG <sup>[1]</sup> Minimum-Maximum
20–30	binder head	16-8
40	box lug	14-4
50–60	box lug	14-2
75–90	box lug	14-1/0

<sup>1</sup> Solid or stranded copper wire only.

**Table 12: Mounting Attachment**

Description	Class 9999 Type
DIN mounting bracket attachment	DMB1

## Factory Modifications

**Table 13: Factory Modifications**

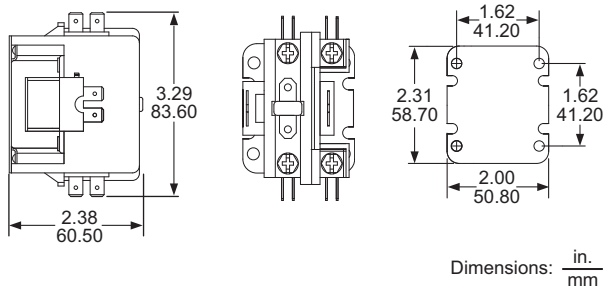
Modification	Form
Factory installed auxiliary contacts	<sup>[1]</sup>
Pressure wire connectors (20–30 A)	Y122
Box lugs (20–30 A)	Y239
DIN mounting bracket attached (35 mm style) <sup>[2]</sup>	Y135

<sup>1</sup> Contact your local Schneider Electric office.

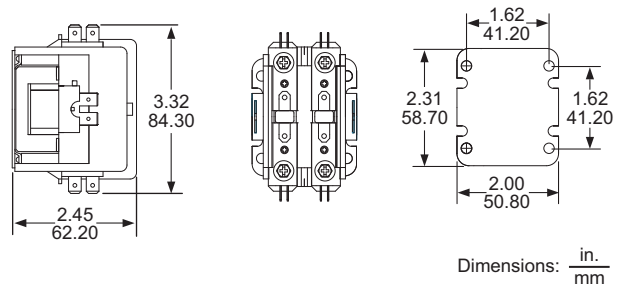
<sup>2</sup> Available for 20–60 A devices only.

# Definite Purpose Control Contactors, Types DP and DPA—Class 8910

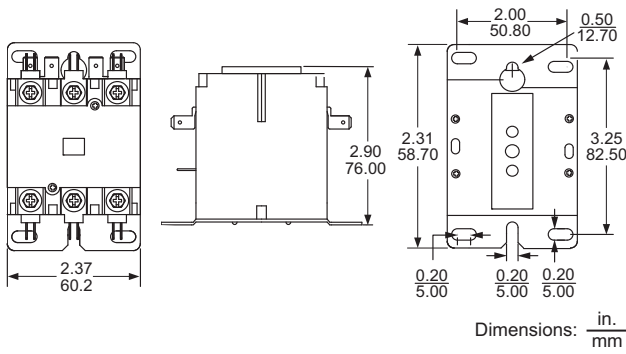
**Figure 1: Type DP, 1 Pole  
20–40 Full Load Amperes**



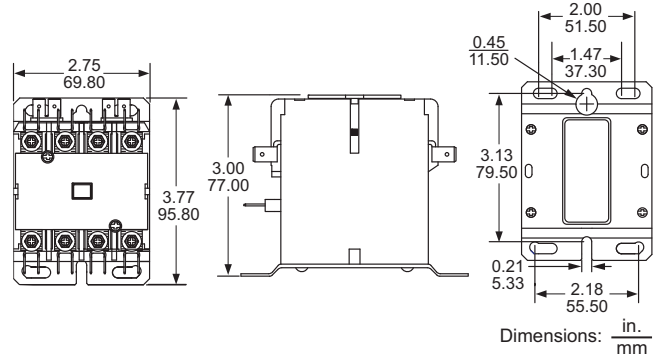
**Figure 2: Type DP, 2 Pole  
20–40 Full Load Amperes**



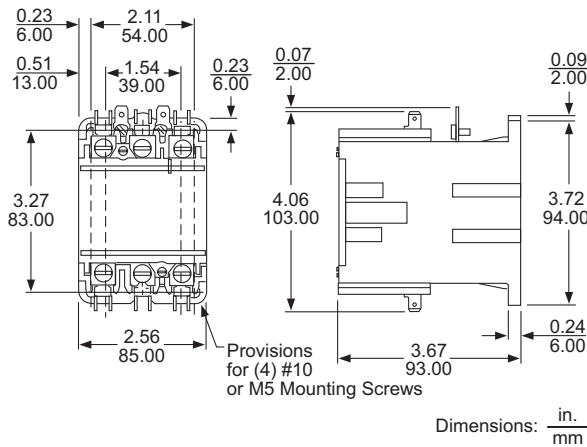
**Figure 3: Type DPA, 2 and 3 Pole  
20–40 Full Load Amperes**



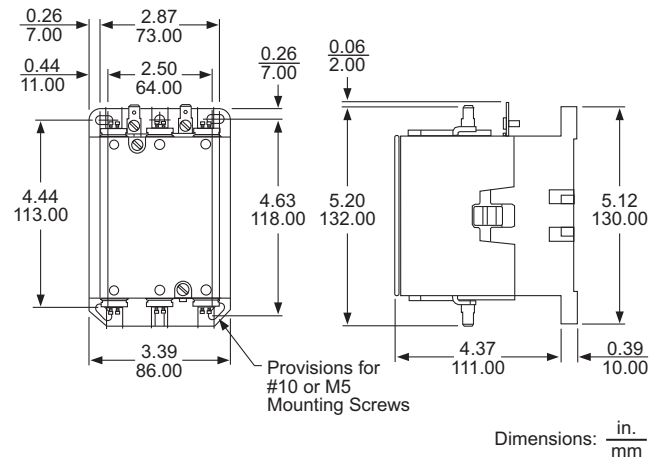
**Figure 4: Type DPA, 4 Pole  
20–40 Full Load Amperes**



**Figure 5: Type DPA, 2 and 3 Pole  
50 and 60 Full Load Amperes**



**Figure 6: Type DPA, 2 and 3 Pole  
75 and 90 Full Load Amperes**



## Contactors, Types DP and DPA—Class 8910

Definite purpose contactors are ideal for heating, air conditioning, refrigeration, data processing, and food service equipment. New, compact 1- and 2-pole contactors are available as well as full-size devices with 2, 3, or 4 poles. They feature the following:

- Quick connect terminals and binder head screws allow for easy wiring.
- Box lugs are standard on 40 A contactors and larger.
- An exclusive DIN track mounting option may reduce installation costs.
- Coils can be changed quickly, without a tool, on the Type DPA, 50–90 A contactors.
- Auxiliary contact modules snap on either side of the Type DPA contactors.

**Table 1: Compact 1-Pole Contactors—600 Vac Maximum**

Full Load Amperes	Locked Rotor Amperes			Resistive Load Amperes	N.O. Poles	Type [1]
	277 V	460 V	575 V			
20	120	100	80	25	1	DP11
25	150	125	100	30	1	DP21
30	150	125	100	40	1	DP31
40	240	200	160	50 [2]	1	DP41

<sup>1</sup> Specify the voltage code when ordering this product. Refer to Table 7 on page 4.

<sup>2</sup> 50 A resistive limited to 277 V. Voltages above 277 V are rated 40 A resistive.



**Type DP22V09  
2 pole**

**Table 2: Compact 2-Pole Contactors—600 Vac Maximum [1]**

Full Load Amperes	Locked Rotor Amperes			Resistive Load Amperes	N.O. Poles	Type [2]
	277 V	460 V	575 V			
20	120	100	80	30	2	DP12
25	150	125	100	35	2	DP22
30	150	125	100	40	2	DP32
40	240	200	160	50	2	DP42

<sup>1</sup> Above 240 V, all lines must be switched.

<sup>2</sup> Specify the voltage code when ordering this product. Refer to Table 7 on page 4.



**Type DP42V14  
2 pole**

**Table 3: 2, 3, and 4-Pole Contactors—600 Vac Maximum [1]**

Full Load Amperes	Locked Rotor Amperes			Resistance Load Amperes	Horsepower Ratings				N.O. Poles	Type [2]
	230 V	460 V	575 V		115 V, 1Ø	230 V, 1Ø	230 V, 3Ø	460/575 V, 3Ø		
20	120	100	80	30	1.5	3	7.5	7.5	2 3 4	DPA12 DPA13 DPA14
25	150	125	100	35	2	5	10	15/20	2 3 4	DPA22 DPA23 DPA24
30	180	150	120	40	2	5	10	15/20	2 3 4	DPA32 DPA33 DPA34
40	240	200	160	50	3	7.5	10	20/25	2 3 4	DPA42 DPA43 DPA44
50	300	250	200	62	3	10	15	30	2 3	DPA52 DPA53
60	360	300	240	75	5	10	25	30	2 3	DPA62 DPA63
75	450	375	300	94	5	15	25	40	2 3	DPA72 DPA73
90	540	450	360	120	7.5	20	30	50	2 3	DPA92 DPA93

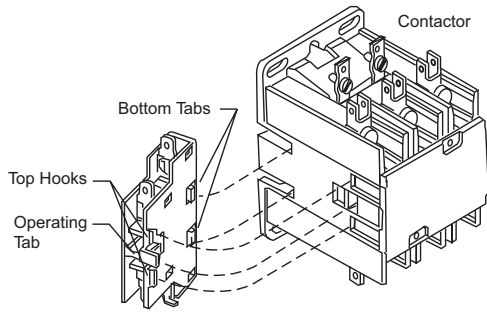
<sup>1</sup> Above 240 V, all lines must be switched.

<sup>2</sup> Specify the voltage code when ordering this product. Refer to Table 7 on page 4.



**Type DPA33V04  
3 pole**

# Definite Purpose Control Contactors, Types DP and DPA—Class 8910



**Auxiliary Contact Installation  
for 50–90 A  
(no tools required)**

**Table 4: 2 N.O. and 2 N.C. 4-Pole Contactors—600 Vac Maximum [1]**

Full Load Amperes	Resistive Load Amperes	N.O. Poles	N.C. Poles [2]	Class 8910	
				Type [3]	Form
20	25	2	2	DPA14	Y392
25	35	2	2	DPA24	Y392
30	40	2	2	DPA34	Y392

- 1 Above 240 V, all lines must be switched.
- 2 The N.C. poles are on the outside. The N.C. poles open before the N.O. poles close.
- 3 Specify the voltage code when ordering this product. Refer to Table 7.

**Table 5: Auxiliary Contacts**

For Use with Class 8910 Type	Contact Arrangement	Class 9999 Type	
		20–40 A	50–90 A
DPA	1 N.O.	DD10	D10
	1 N.C.	DD01	D01
	1 N.O. and 1 N.C.	DD11	D11
	2 N.O.	DD20	D20

**Table 6: NEMA Type 1 General Purpose Enclosures for Type DP and DPA Contactors**



Class 8910 Type	Full Load Amperes	Poles	Class 9991 Type
DP	20–40	1 and 2	DPG1
DPA	20–40	2 and 3	DPG1
DPA	50	2 and 3	DPG2
DPA	20–40	4	DPG2
DPA	60–75	2 and 3	DPG3
DPA	90	2 and 3	DPG4

**Table 7: Coil Voltage Codes**

Voltage		Code Type DP, DPA
60 Hz	50 Hz	
24	24	V14
24	—	—
120	110	V02
208	—	—
208–240	220	V09
230–240	220	—
277	—	V04
480	440	V06
600	550	V07 [1]

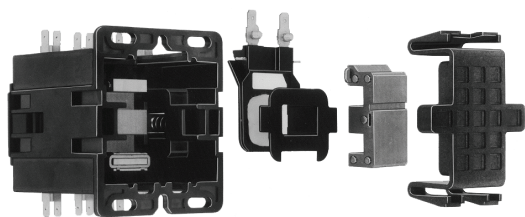
- 1 Not available for Type DP, 1- and 2-pole devices.

**Table 8: Types DP and DPA Specifications**

<b>Mechanical Life</b>	500,000 operations [1]
<b>Electrical Life</b> Type DP Type DPA	100,000 operations 200,000 operations
<b>Duty Cycle</b>	Continuous
<b>Operating Temperature</b>	0 °C to +65 °C (32 °F to +149 °F)
<b>Slip-on Connector Rating</b>	30 A 75 °C wire
<b>Approvals</b>	 UL Recognized File E3190 CCN NLDX2  <small>CSA Certified File 132246 Class 201104</small>

- 1 Actual product life will vary based on electrical load, duty cycle, application, and environmental conditions.

# Definite Purpose Control Contactors, Types DP and DPA—Class 8910



**Coil Replacement 50–60 A  
(no tools required)**

**Table 9: Class 8910 Type DPA Replacement Coils**

Full Load Amperes	Poles	Class 9998 Type <sup>[1]</sup>	Volt-Amperes <sup>[2]</sup>	
			Inrush	Sealed
50–60	2 and 3	DA2V	109	10
75–90	2 and 3	DA3V	214	19

<sup>1</sup> Append the suffix from Table 10. For example, the coil for Class 8910 Type DPA53V02 120 V, 60 Hz would be a Class 9998 Type DA2V02.

<sup>2</sup> For Types DP11 through DP32: Inrush 33 VA; Sealed 8 VA. Coils are not replaceable.  
For Types DPA12 through DPA44: Inrush 60 VA, Sealed 6 VA. Coils are not replaceable.

**Table 10: Type DPA Coil Voltage Codes**

Voltage, 60 Hz	Voltage, 50 Hz	Voltage Code
24	24	V14
120	110	V02
208–240	220	V09
277	—	V04
480	440	V06
600	550	V07 <sup>[1]</sup>

<sup>1</sup> Available for Type DPA contactors only.

**Table 11: Power Terminals**

Full Load Amperes	Power Terminals	
	Type of Lug	Sizes, AWG <sup>[1]</sup> Minimum-Maximum
20–30	binder head	16-8
40	box lug	14-4
50–60	box lug	14-2
75–90	box lug	14-1/0

<sup>1</sup> Solid or stranded copper wire only.

**Table 12: Mounting Attachment**

Description	Class 9999 Type
DIN mounting bracket attachment	DMB1

## Factory Modifications

**Table 13: Factory Modifications**

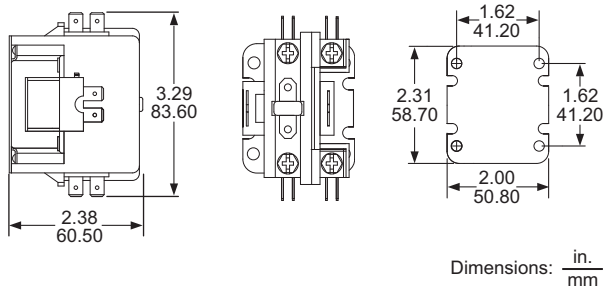
Modification	Form
Factory installed auxiliary contacts	<sup>[1]</sup>
Pressure wire connectors (20–30 A)	Y122
Box lugs (20–30 A)	Y239
DIN mounting bracket attached (35 mm style) <sup>[2]</sup>	Y135

<sup>1</sup> Contact your local Schneider Electric office.

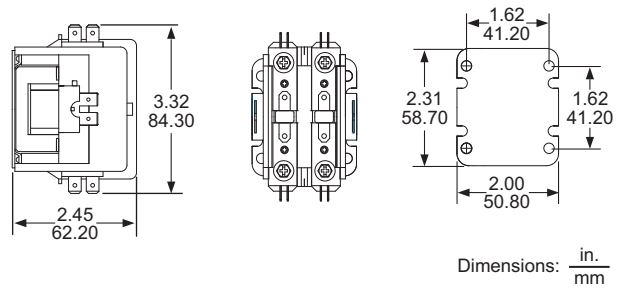
<sup>2</sup> Available for 20–60 A devices only.

# Definite Purpose Control Contactors, Types DP and DPA—Class 8910

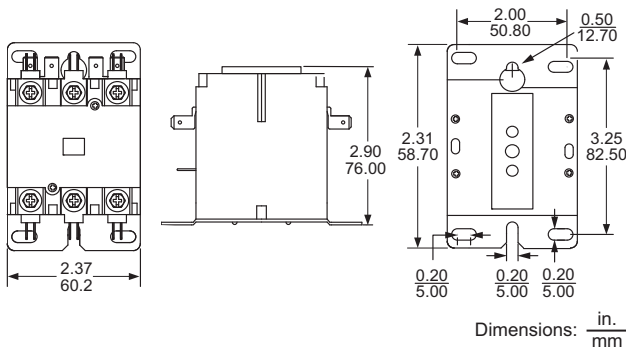
**Figure 1: Type DP, 1 Pole  
20–40 Full Load Amperes**



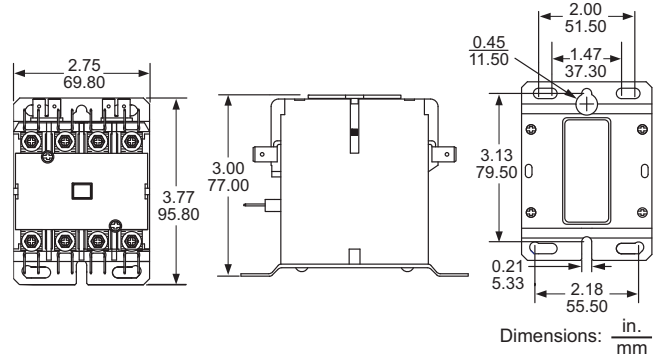
**Figure 2: Type DP, 2 Pole  
20–40 Full Load Amperes**



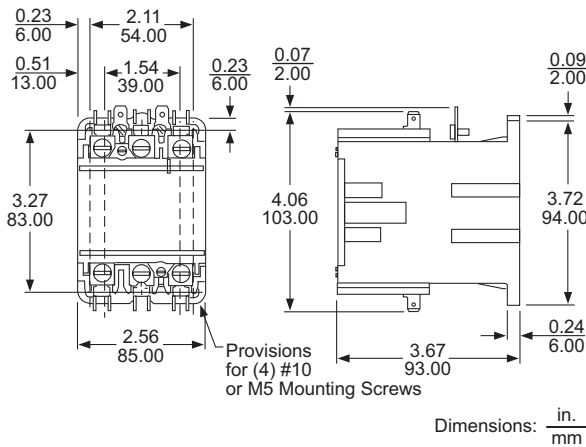
**Figure 3: Type DPA, 2 and 3 Pole  
20–40 Full Load Amperes**



**Figure 4: Type DPA, 4 Pole  
20–40 Full Load Amperes**



**Figure 5: Type DPA, 2 and 3 Pole  
50 and 60 Full Load Amperes**



**Figure 6: Type DPA, 2 and 3 Pole  
75 and 90 Full Load Amperes**

