

## Diva Fan-Speed Controls

The designer fan-speed control that matches your paddle switches.

### Features

- On/off rocker switch with a captive slider
- Quiet 3-speed control of ceiling fan
- Requires separate wires at the wallbox for the fan and the light. No neutral is required at the wallbox
- cULus Listed, NOM certified
- No nightlight
- Available in gloss colors and Satin Colors
- 100% factory-tested
- Uses a standard designer opening wallplate or a Lutron Claro wallplate

### Model Numbers

Model Number	Description	Maximum Capacity		
DVFSQ-F-XX <sup>1,2,3,4</sup> DVFSQ-F-XX-CSA <sup>1,2,3,4,5</sup>	Gloss colors Preset fan-speed control Single-pole/3-way, 3 speed	1.5 A		
DVSCFSQ-F-YY <sup>1,3,4</sup>	Satin Colors Preset fan-speed control Single-pole/3-way, 3 speed	1.5 A		
DVWFSSQ-FH-XX <sup>1,3,4</sup> DVWFSSQ-FH-XX-CSA <sup>1,3,4,5</sup>	Gloss colors Preset fan-speed control Single-pole/3-way, 3 speed Clamshell packaging Wallplate included	1.5 A		
DVFSQ-LF-XX <sup>1,2,4</sup> DVFSQ-LF-XX-C <sup>1,2,4,5</sup>	Gloss colors Light switch/ Fan-speed control Single-pole light and fan	Single-pole switch	Incandescent/ Halogen	2 A
			CFL/LED	1 A
		Fan (3-speed with Off)	1.5 A	
DVSCFSQ-LF-YY <sup>1,4</sup>	Satin Colors Light switch/ Fan-speed control Single-pole light and fan	Single-pole switch	Incandescent/ Halogen	2 A
			CFL/LED	1 A
		Fan (3-speed with Off)	1.5 A	
DVFSQ-F-HO-XX <sup>1,3,4</sup>	For Hunter Original Series fans Gloss colors Preset fan-speed control Single-pole/3-way, 3 speed	2 A		

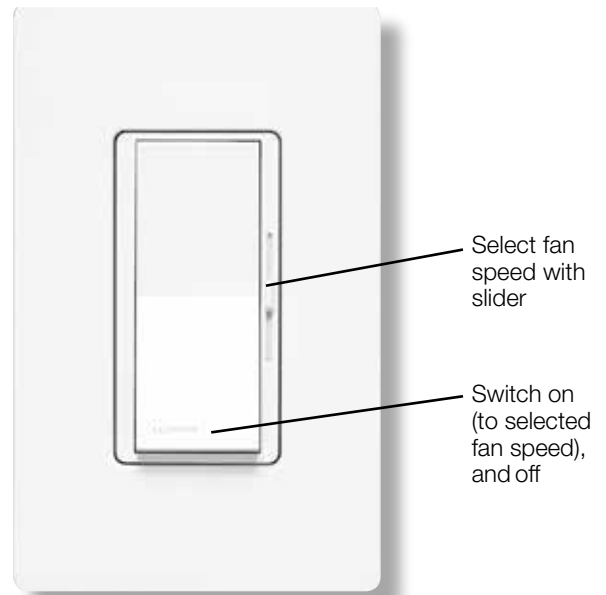
<sup>1</sup> "XX" or "YY" in the model number represents color/finish code; see Colors and Finishes on the next page.

<sup>2</sup> For clamshell packaging, add "H" after "F" or "LF". Call Lutron Customer Service for color availability.

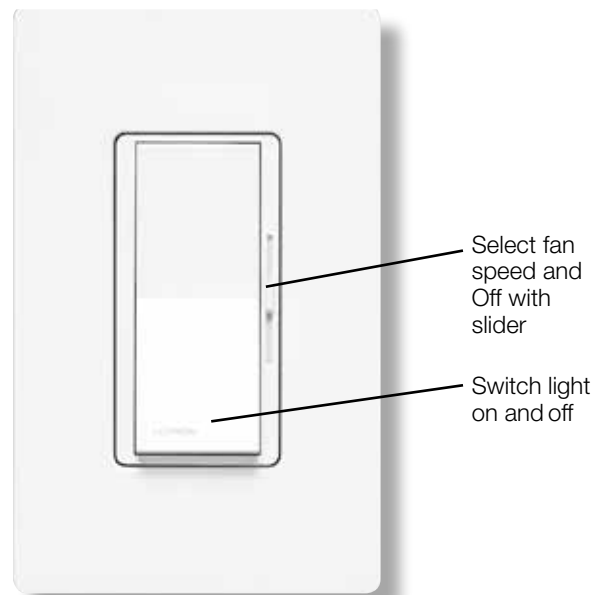
<sup>3</sup> For 3-way and 4-way switching, use Claro switches or other mechanical switches.

<sup>4</sup> No derating required.

<sup>5</sup> Canadian packaged product.



DVFSQ-F



DVFSQ-LF

<b>Job Name:</b>	<b>Model Numbers:</b>
<b>Job Number:</b>	

## Specifications

### Regulatory Approvals

- cULus Listed
- NOM certified

### Power and Ratings

- 120 V~ 60 Hz

### Environment

- For indoor use only.
- Operating temperatures 32 °F to 104 °F (0 °C to 40 °C).

### Performance

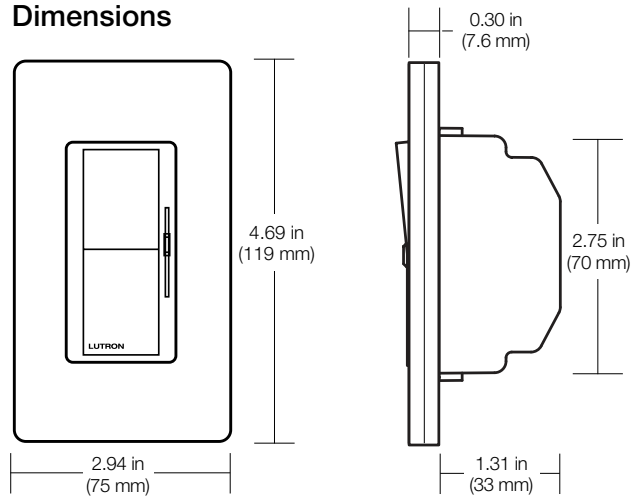
- Power-failure memory
- Captive linear slider
- Electrostatic discharge tested
- Precise color matching with Claro wallplates
- Mechanical air-gap switch to disconnect load power

### Warranty

- 1 Year Limited Warranty

For additional Warranty information, please visit [www.lutron.com/TechnicalDocumentLibrary/369-119\\_Wallbox\\_Warranty.pdf](http://www.lutron.com/TechnicalDocumentLibrary/369-119_Wallbox_Warranty.pdf)

### Dimensions



**Note:** Requires a U.S. wallbox 2½ in (64 mm) deep minimum.

### Colors and Finishes

#### Gloss Colors

Add color/finish code to model #

**Example: DVFSQ-F-WH**

WH	White
IV	Ivory
AL	Almond
LA	Light Almond
GR	Gray
BR	Brown
BL	Black

#### Satin Colors

Add color/finish code to model #

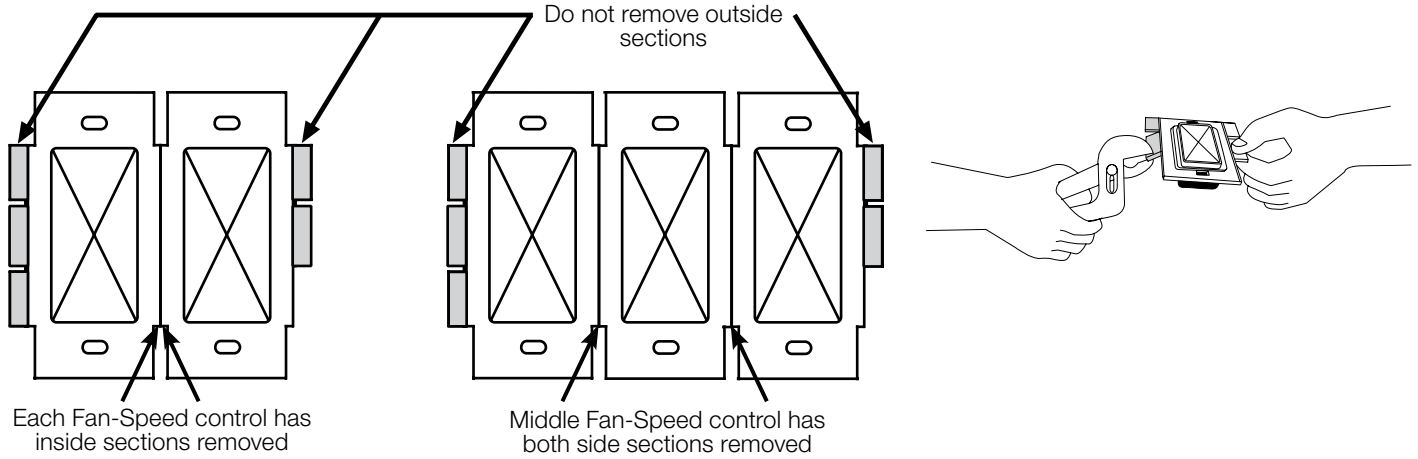
**Example: DVSCFSQ-LF-SW**

HT	Hot
MR	Merlot
PL	Plum
TQ	Turquoise
TP	Taupe
ES	Eggshell
BI	Biscuit
SW	Snow
PD	Palladium
MN	Midnight
TC	Terracotta
SI	Sienna
GB	Green Briar
BG	Bluestone
MS	Mocha Stone
GS	Goldstone
DS	Desert Stone
ST	Stone
LS	Limestone

<b>Job Name:</b>	<b>Model Numbers:</b>
<b>Job Number:</b>	

### Ganging \*

When installing more than one Fan-Speed control in the same wallbox, it may be necessary to remove some side sections prior to wiring (see diagram).

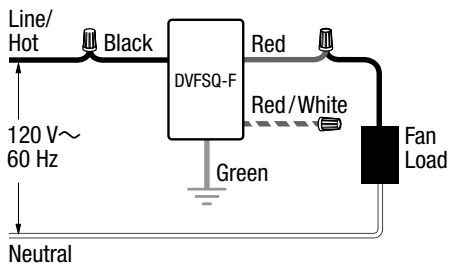


\* No derating required.

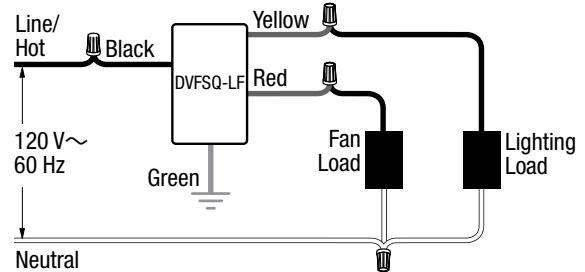
### Wiring Diagrams

#### Single-Pole Wiring

DVFSQ-F

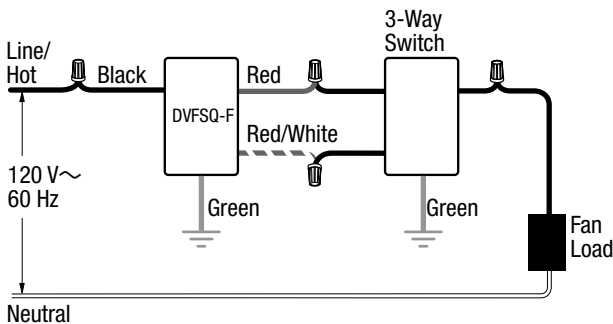


DVFSQ-LF

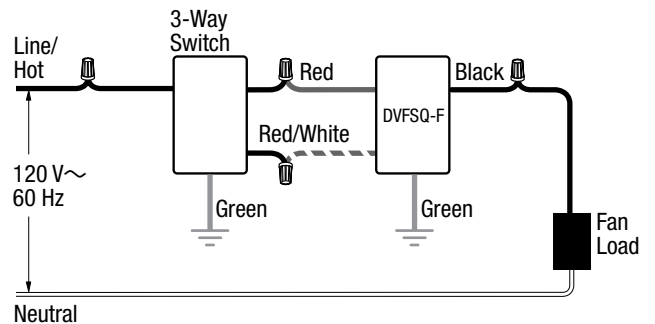


#### 3-Way Wiring

DVFSQ-F - Line-Side



DVFSQ-F - Load-Side



Lutron, Lutron, Claro, Diva, and Satin Colors are trademarks of Lutron Electronics Co., Inc., registered in the U.S. and other countries. UL is a trademark of UL LLC.

Job Name:	Model Numbers:
Job Number:	

## Diva Fan-Speed Controls

The designer fan-speed control that matches your paddle switches.

### Features

- On/off rocker switch with a captive slider
- Quiet 3-speed control of ceiling fan
- Requires separate wires at the wallbox for the fan and the light. No neutral is required at the wallbox
- cULus Listed, NOM certified
- No nightlight
- Available in gloss colors and Satin Colors
- 100% factory-tested
- Uses a standard designer opening wallplate or a Lutron Claro wallplate

### Model Numbers

Model Number	Description	Maximum Capacity		
DVFSQ-F-XX <sup>1,2,3,4</sup> DVFSQ-F-XX-CSA <sup>1,2,3,4,5</sup>	Gloss colors Preset fan-speed control Single-pole/3-way, 3 speed	1.5 A		
DVSCFSQ-F-YY <sup>1,3,4</sup>	Satin Colors Preset fan-speed control Single-pole/3-way, 3 speed	1.5 A		
DVWFSSQ-FH-XX <sup>1,3,4</sup> DVWFSSQ-FH-XX-CSA <sup>1,3,4,5</sup>	Gloss colors Preset fan-speed control Single-pole/3-way, 3 speed Clamshell packaging Wallplate included	1.5 A		
DVFSQ-LF-XX <sup>1,2,4</sup> DVFSQ-LF-XX-C <sup>1,2,4,5</sup>	Gloss colors Light switch/ Fan-speed control Single-pole light and fan	Single-pole switch	Incandescent/ Halogen	2 A
			CFL/LED	1 A
		Fan (3-speed with Off)	1.5 A	
DVSCFSQ-LF-YY <sup>1,4</sup>	Satin Colors Light switch/ Fan-speed control Single-pole light and fan	Single-pole switch	Incandescent/ Halogen	2 A
			CFL/LED	1 A
		Fan (3-speed with Off)	1.5 A	
DVFSQ-F-HO-XX <sup>1,3,4</sup>	For Hunter Original Series fans Gloss colors Preset fan-speed control Single-pole/3-way, 3 speed	2 A		

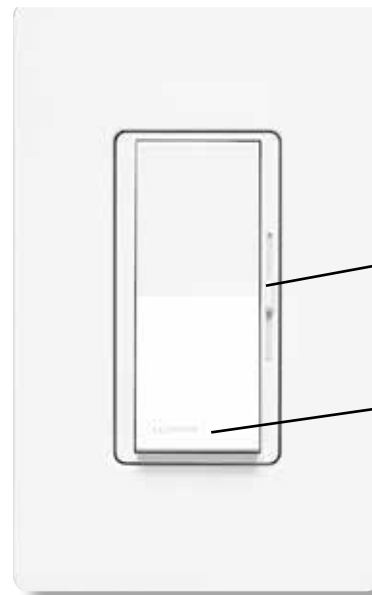
<sup>1</sup> "XX" or "YY" in the model number represents color/finish code; see Colors and Finishes on the next page.

<sup>2</sup> For clamshell packaging, add "H" after "F" or "LF". Call Lutron Customer Service for color availability.

<sup>3</sup> For 3-way and 4-way switching, use Claro switches or other mechanical switches.

<sup>4</sup> No derating required.

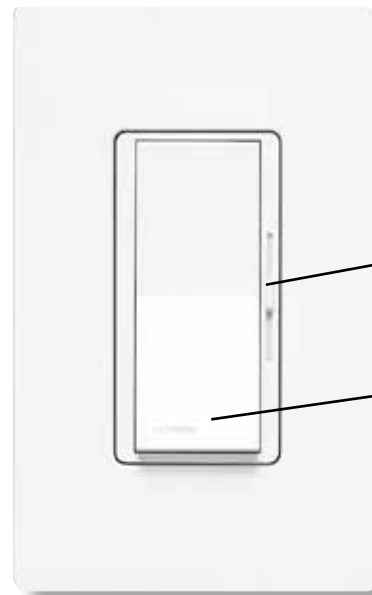
<sup>5</sup> Canadian packaged product.



Select fan speed with slider

Switch on (to selected fan speed), and off

DVFSQ-F



Select fan speed and Off with slider

Switch light on and off

DVFSQ-LF

<b>Job Name:</b>	<b>Model Numbers:</b>
<b>Job Number:</b>	

## Specifications

### Regulatory Approvals

- cULus Listed
- NOM certified

### Power and Ratings

- 120 V~ 60 Hz

### Environment

- For indoor use only.
- Operating temperatures 32 °F to 104 °F (0 °C to 40 °C).

### Performance

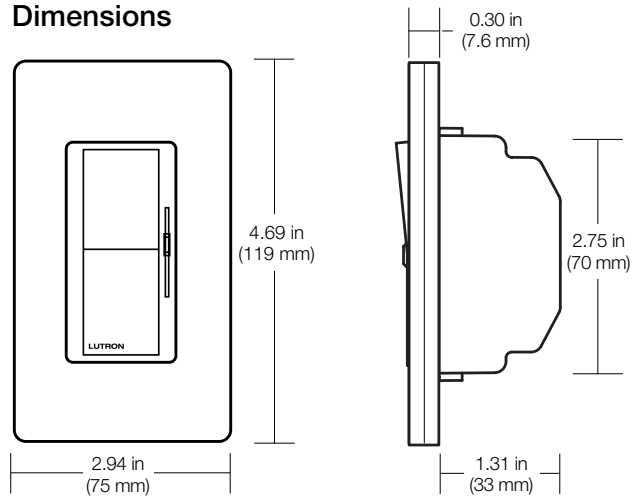
- Power-failure memory
- Captive linear slider
- Electrostatic discharge tested
- Precise color matching with Claro wallplates
- Mechanical air-gap switch to disconnect load power

### Warranty

- 1 Year Limited Warranty

For additional Warranty information, please visit [www.lutron.com/TechnicalDocumentLibrary/369-119\\_Wallbox\\_Warranty.pdf](http://www.lutron.com/TechnicalDocumentLibrary/369-119_Wallbox_Warranty.pdf)

### Dimensions



**Note:** Requires a U.S. wallbox 2½ in (64 mm) deep minimum.

### Colors and Finishes

#### Gloss Colors

Add color/finish code to model #

**Example: DVFSQ-F-WH**

WH	White
IV	Ivory
AL	Almond
LA	Light Almond
GR	Gray
BR	Brown
BL	Black

#### Satin Colors

Add color/finish code to model #

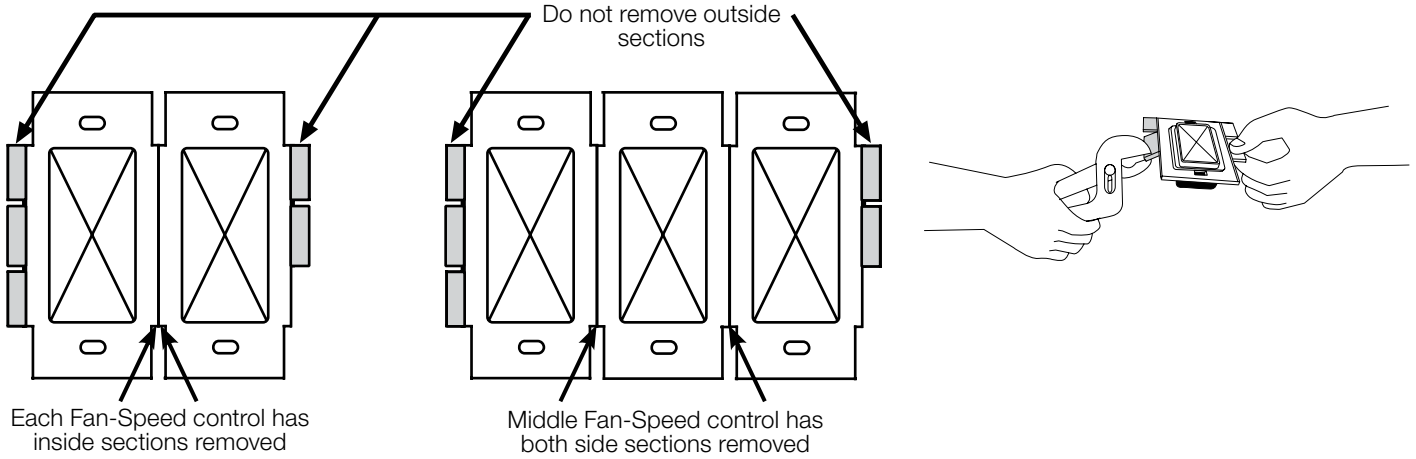
**Example: DVSCFSQ-LF-SW**

HT	Hot
MR	Merlot
PL	Plum
TQ	Turquoise
TP	Taupe
ES	Eggshell
BI	Biscuit
SW	Snow
PD	Palladium
MN	Midnight
TC	Terracotta
SI	Sienna
GB	Green Briar
BG	Bluestone
MS	Mocha Stone
GS	Goldstone
DS	Desert Stone
ST	Stone
LS	Limestone

<b>Job Name:</b>	<b>Model Numbers:</b>
<b>Job Number:</b>	

### Ganging \*

When installing more than one Fan-Speed control in the same wallbox, it may be necessary to remove some side sections prior to wiring (see diagram).

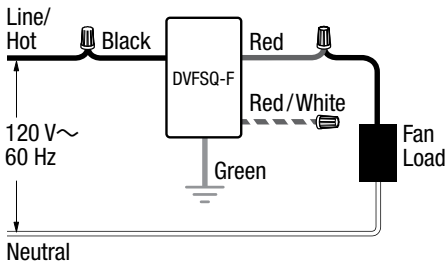


\* No derating required.

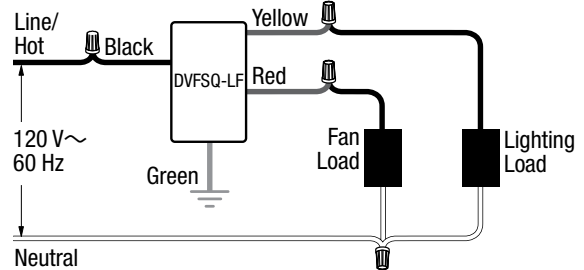
### Wiring Diagrams

#### Single-Pole Wiring

DVFSQ-F

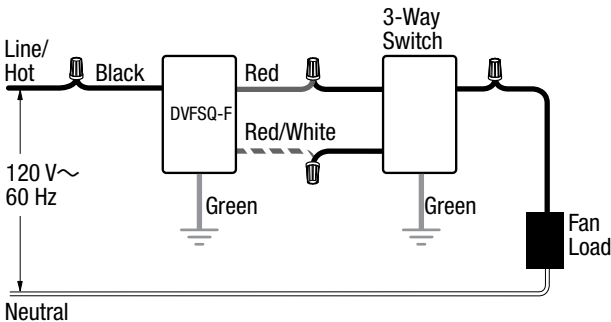


DVFSQ-LF

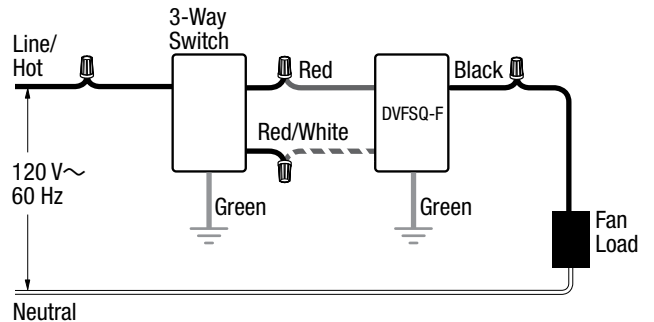


#### 3-Way Wiring

DVFSQ-F - Line-Side



DVFSQ-F - Load-Side



Lutron, Lutron, Claro, Diva, and Satin Colors are trademarks of Lutron Electronics Co., Inc., registered in the U.S. and other countries. UL is a trademark of UL LLC.

Job Name:	Model Numbers:
Job Number:	