



# Wattstopper®

Dual Technology Wall Switch Occupancy Sensors (version 3)

Interrupteur mural avec détecteurs de mouvement à technologie double (v3)

Sensores de ocupación e interruptor de pared con tecnología doble (v3)

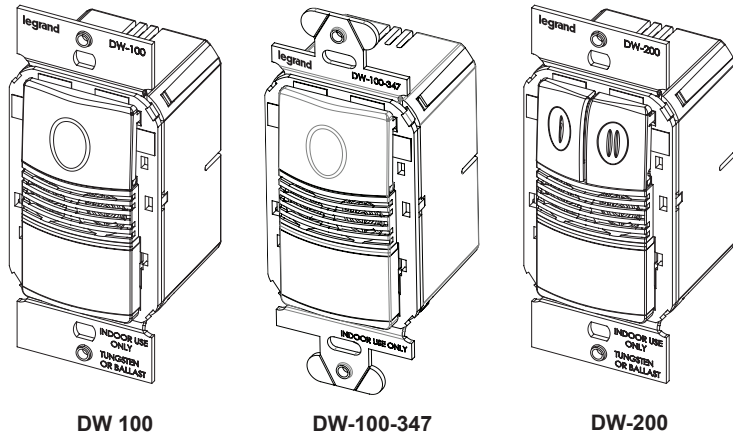
Installation Instructions • Instructions d'Installation • Instrucciones de Instalación

No: 24000 – 11/17 rev. 2

## Catalog Numbers • Les Numéros de Catalogue • Números de Catálogo: DW-100/DW-100-347/DW-200

Country of Origin: Made in China • Pays d'origine: Fabriqué en Chine • País de origen: Hecho en China

### SPECIFICATIONS



DW 100

DW-100-347

DW-200

#### Voltages:

DW-100 & DW-200..... 120/277VAC, 50/60Hz  
 DW-100-347 ..... 347VAC, 50/60Hz

#### Load Limits for each relay:

@120VAC ..... 0-800W tungsten or ballast, 1/6 HP  
 @277VAC ..... 0-1200W ballast  
 @347VAC ..... 0-1500W ballast

#### Load Type Compatibility:

Incandescent, fluorescent, magnetic or electronic ballast  
 Horsepower Rating (each relay) ..... 1/6 HP @120VAC  
 Time Delay Adjustment ..... 5 to 30 minutes  
 Walk-Through Mode..... 3 minutes if no activity after 30 sec.  
 Test Mode..... 5 sec. for 10 min. with DIP switch setting  
 PIR Adjustment..... High or Low (DIP switch)  
 Ultrasonic Adjustment..... Minimum to Maximum (trimpot), Off  
 Frequency..... 40kHz  
 Light Level Adjustment ..... 8fc to 180+fc  
 Alerts ..... Selectable Audible

US Patents: 5640113, 6617560

### DESCRIPTION AND OPERATION

The DW Dual Technology Wall Switch sensors combine advanced passive infrared (PIR) and ultrasonic technologies into one unit. The combined technologies help to eliminate false triggering even in difficult applications.

Selectable operating modes allow the sensor to turn a load **ON**, and hold it **ON** as long as either or both technologies detect occupancy. After no movement is detected for the selected time delay, the lights switch **OFF**. A “walk-through” mode can turn lights off after only 3 minutes, if no activity is detected after 30 seconds following an occupancy detection.

The DW-100 has one relay and one **ON/OFF** button. The DW-200 contains two relays and two **ON/OFF** buttons to allow control of one or two loads independently. Pressing a button toggles the state of the corresponding relay.

DW sensors contain a light level sensor. If adequate daylight is present, the sensor holds the load **OFF** until light levels drop, even if the area is occupied. In the DW-200, light level only affects the load on Relay 2. Users can overrule this function by pressing the **ON/OFF** button. See Light Level Adjustment.

#### Turning ON the Load (ON Mode)

The relays are programmed independently for either **Auto ON** or **Manual ON**. In either mode, the load can be turned **ON** or **OFF** using the **ON/OFF** button.

##### Manual ON

DIP 8 **ON** for Relay 1  
 DIP 9 **ON** for Relay 2

With an **ON** Mode DIP switch in the **ON** position, the occupant must press the **ON/OFF** button to turn **ON** the load. The sensor keeps the load **ON** until no motion is detected for the selected time delay. There is a 30 second re-trigger delay. If occupancy re-triggers during the delay (see Trigger Mode), the sensor turns the load back **ON**. After the re-trigger delay elapses the **ON/OFF** button must be pressed to turn **ON** the load.

##### Auto ON

DIP 8 **OFF** for Relay 1  
 DIP 9 **OFF** for Relay 2

With an **ON** Mode DIP switch in the **OFF** position, the load turns **ON** and **OFF** automatically based on occupancy. If the load is turned **OFF** manually, Presentation Mode operation applies. This prevents the load from turning **ON** automatically after it was deliberately turned **OFF**. Pressing the button to turn lights **ON** returns the sensor to **Auto ON** mode.

Model #	Relay	Default ON Mode	DIP Switch #	Setting
DW-100	1	Manual <b>ON</b>	8	<b>ON</b>
DW-100-347	1	Manual <b>ON</b>	8	<b>ON</b>

Model #	Relay	Default ON Mode	DIP Switch #	Setting
DW-200	1	Auto <b>ON</b>	8	<b>OFF</b>
	2	Manual <b>ON</b>	9	<b>ON</b>

### Presentation Mode

**Presentation Mode** is a feature of the **Auto ON** mode. When both relays are manually turned **OFF** the DW holds the lights **OFF** until no motion has been detected for the duration of the Time Delay. With subsequent occupancy, the DW turns the load **ON**. If both relays are **ON** and one relay is manually turned **OFF** this relay remains **OFF** until both the Time Delay and re-trigger delay expires for the relay that is **ON**, after that time the **ON** Mode control settings again apply.

### Time Delays

The DW sensor holds the load **ON** until no motion is detected for the selected time delay. Select the time delay using DIP switch settings. In the DW-200, both relays use the same delay.

<b>Test/20 min</b> (DIP 1 & 2 <b>OFF</b> )	A Test Mode with a short time delay of five seconds is set when DIP switches 1 & 2 are <b>OFF</b> . It cancels automatically after ten minutes, or when you set a fixed time delay. When the Test Mode times out, the sensor will assume a 20 minute time delay. To restart Test Mode, change the time delay setting to any fixed amount and then return it to the Test setting.
<b>Time Delay</b> (15 min. DIP 1 <b>ON</b> & 2 <b>OFF</b> )	Time delays of 5, 15 (default), or 30 minutes are available. See DIP SWITCH SETTINGS for information.

### Walk-Through Mode

The Walk-Through mode shortens the time delay to reduce the amount of time the load is **ON** after a brief moment of occupancy, such as returning to an office to pick up a forgotten item then immediately exiting.

<b>Walk-Through Mode</b> (DIP #3 <b>ON</b> )	The DW sensor turns the load <b>OFF</b> 3 minutes after the area is initially occupied, if no motion is detected after the first 30 seconds. If motion continues beyond the first 30 seconds, the set time delay applies.
<b>No Walk-Through</b> (DIP #3 <b>OFF</b> )	Walk-Through mode disabled.

### PIR Sensitivity Adjustment

The DW sensor constantly monitors the controlled environment and automatically adjusts the PIR to avoid common ambient conditions that can cause false detections, while providing maximum coverage.

<b>High</b> (DIP #4 <b>OFF</b> )	Default setting. Suitable for most applications.
<b>Low, 50%</b> (DIP #4 <b>ON</b> )	Reduces sensitivity by approximately 50%. Useful in cases where the PIR is detecting movement outside of the desired area (also consider masking the lens) and where heat sources cause unnecessary activation.

### Alerts

The DW can provide audible alerts as a warning before the load turns **OFF**.

<b>Audible Alerts</b> (DIP #7 <b>ON</b> )	Unit will beep at one minute, at 30 seconds and at 10 seconds before turning <b>OFF</b> load. When Walk-Through is active, the unit beeps three times at 10 seconds before the load goes <b>OFF</b> .
<b>No Alerts</b>	No warnings provided.

### Trigger Mode

The DW sensor has four occupancy trigger options, set with DIP switches 5 and 6. Determine the appropriate option using the Trigger matrix.

In the Trigger Mode DIP switch setting table, in order to deem the area occupied:

- **Both** requires motion detection by the PIR and the Ultrasonic.
- **Either** requires motion detection by only one technology.
- **PIR** requires motion detection by the PIR.

**Initial Occupancy:** The method that activates a change from “Standby” (area unoccupied and load **OFF**) to “Occupied” (area occupied and load may turn **ON**).

**Maintain Occupancy:** The method indicating that the area is still occupied and the lights should remain **ON**.

**Re-trigger:** In **Auto On** Mode, after the load turns off, detection by the selected technology within 5 seconds turns the lights back **ON**. If the load was turned **ON** with the **ON/OFF** button, the re-trigger time is 30 seconds.

Trigger Mode	Initial Occupancy	Maintain Occupancy	Re-trigger	DIP Switch	
				5	6
Standard	Both	Either	Either	↓	↓
Option A	PIR	Either	Either	↓	↑
Option B	PIR	PIR	PIR	↑	↓
Option C	Both	Both	Both	↑	↑

↑=ON ↓=OFF

## COVERAGE PATTERNS

Coverage testing has been performed according to the NEMA WD 7 guideline. For best performance, use in spaces not larger than 18' x 15'.

### PIR Sensor

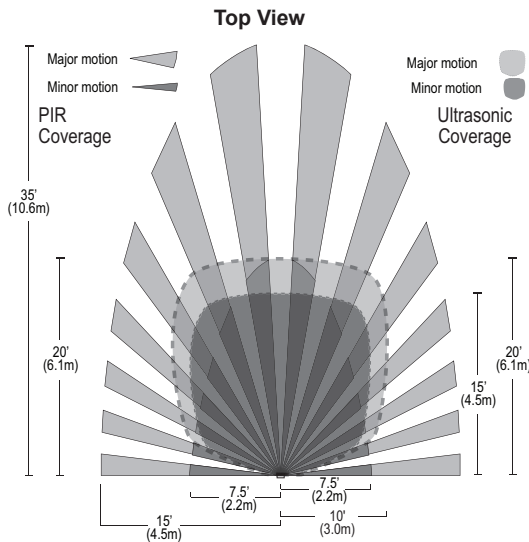
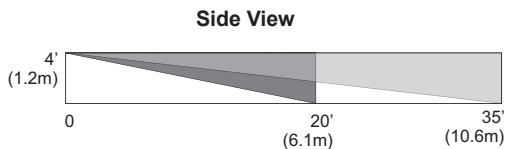
The sensor has a two-tiered, multi-cell viewing Fresnel lens with 180 degree field of view. The red LED on the sensor flashes when the PIR detects motion.

### Masking the Lens

Opaque adhesive tape is supplied so that sections of the PIR sensor's view can be masked. You can eliminate coverage in unwanted areas. Since masking removes bands of coverage, take this into account when troubleshooting coverage problems.

### Ultrasonic Sensor

The sensor has two ultrasonic transceivers operating at 40kHz. Detection sensitivity can be adjusted using the trimpot under the ON/OFF buttons.



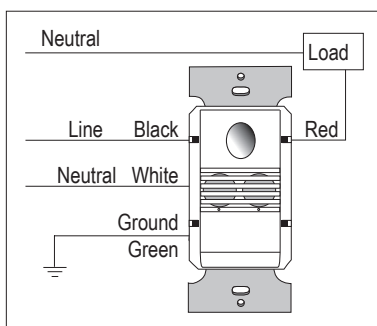
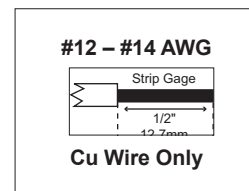
## INSTALLATION



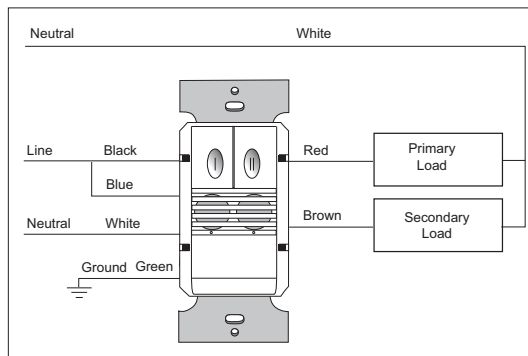
**WARNING: TURN THE POWER OFF AT THE CIRCUIT BREAKER BEFORE WIRING.**



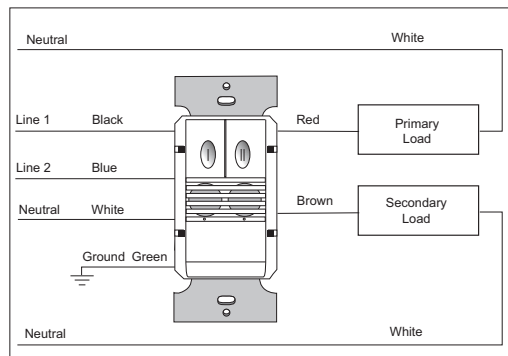
1. Make sure that the power has been turned **OFF** at the circuit breaker.
2. Connect wires to the DW flying leads as shown in the wiring diagram below that is appropriate to the DW model and electrical supply.
3. Attach the DW to the wall box by inserting screws into the two wide holes on the top and bottom of the attached metal bracket. Match them up with the holes in the wall box and tighten.
4. Turn the circuit breaker **ON**. Wait one minute, then push the **ON/OFF** button for each load and the lights will turn **ON**.
5. Test and adjust the sensor if necessary.
6. Attach the cover plate.



DW-100 and DW-100-347 Wiring



DW-200 Bi-Level Wiring



DW-200 Dual Circuit Wiring

## DIP SWITCH SETTINGS

Time Delay	1	2
Test/20 min	↓	↓
5 minutes	↓	↑
15 minutes	↑	↓
30 minutes	↑	↑

Walk-Through	3
Enabled	↑
Disabled	↓

PIR Sensitivity	4
Low, 50%	↑
High	↓

Trigger Mode	Initial Occupancy	Maintain Occupancy	Re-trigger	5	6
Standard	Both	Either	Either	↓	↓
Option A	PIR	Either	Either	↓	↑
Option B	PIR	PIR	PIR	↑	↓
Option C	Both	Both	Both	↑	↑

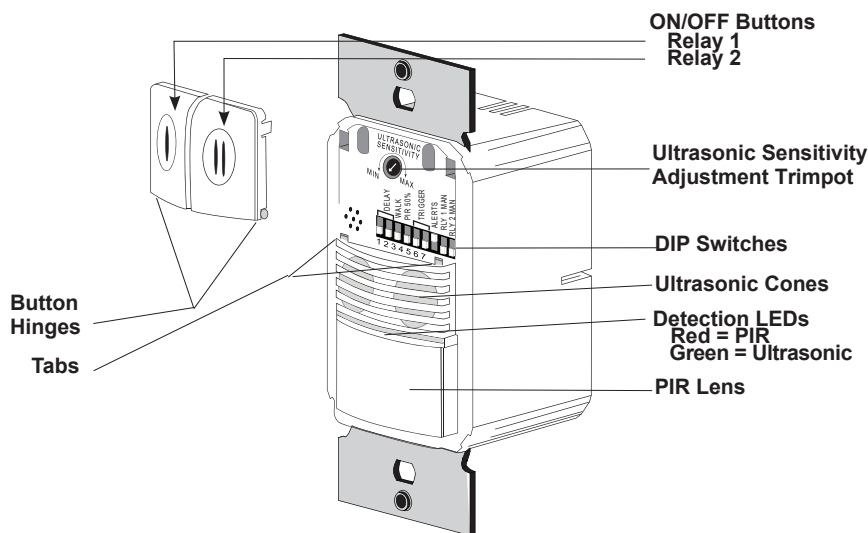
Audible Alert	7
Enabled	↑
Disabled	↓

Relay 1 On Mode	8
Manual On	↑
Auto On	↓

DW-200 only:	
Relay 2 On Mode	9
Manual On	↑
Auto On	↓

↑ = ON ↓ = OFF

DW-200 shown. DW-100 has a single button and the Ultrasonic sensitivity adjustment trimpot is in a slightly different position.



## ADJUSTMENTS

### Sensor Adjustment

Remove the wall plate. Remove the button cap by firmly squeezing together the top sides of the button assembly. Gently pull it away from the unit.

When the adjustments are completed, replace the button cap by inserting its hinges into the tabs on the main unit and then squeeze the top of the button while pressing it into the unit. Reinstall the cover plate.

### Light Level Adjustment

The light level can be set with loads **ON** or **OFF**. To enable light level control and set the threshold:

1. Make sure the room is lit appropriately.
2. Put the sensor into TEST mode. You have 5 minutes to complete the procedure.
3. Press and hold the **ON/OFF** button (Relay 1 button on the DW-200) for 3 seconds, until you hear a beep.
4. Step away from the sensor. After 25 seconds a beep sounds, indicating that the threshold level is set. This threshold is retained, even if power is lost, until it is re-set or disabled. In the DW-200, light level control only affects Relay 2.

To disable light level control, press and hold the **ON/OFF** (Relay 1) button for 7 seconds, until a double beep tone sounds.

### Reset to Default

Use the DIP Switch Settings tables on the previous page to return features to factory settings. To reset the DW press and hold the **ON/OFF** (Relay 1) button for 10 seconds, until a triple beep sounds. This resets the sensor and disables light level control (the brightest ambient light will not hold the light **OFF**).

### Service Mode

To enter service mode set the ultrasonic trimpot to MIN (Fully counter-clockwise).

---

## TROUBLESHOOTING

---

### **Lights do not turn ON with motion (LED does flash).**

1. Press and release each button to make sure that the correct lights come **ON** for each relay. If the lights do NOT turn **ON**, check wire connections, especially the Load connection. If the lights turn **ON**, verify that the correct On Mode is selected in DIP switches 8 and 9.
2. Check to see if light level control is enabled: cover the sensor lens with your hand. If the lights come **ON**, adjust the light level setting.
3. If lights still do not turn **ON**, call 800.879.8585 for technical support.

### **Lights do not turn ON with motion (LED does not flash).**

1. Press and release each button. Make sure that the correct lights come **ON** for each relay. If the lights turn **ON**, set PIR and Ultrasonic Sensitivity to High.
2. Check the wire connections, in particular, the Neutral and Line connections. Verify that connections are tightly secured.
3. If lights still do not turn **ON**, call 800.879.8585 for technical support.

### **Lights do not turn OFF.**

1. There can be up to a 30 minute time delay after the last motion is detected. To verify proper operation, set DIP switch 1 to **ON**, then reset switches 1 and 2 to **OFF** to start Test Mode. Move out of view of the sensor. The lights should turn **OFF** in approximately 5 seconds.
2. Verify that the sensor is mounted at least six feet (2 meters) away from any heating/ventilating/air conditioning device that may cause false detection. Verify that there is no significant heat source (for example, a high wattage light bulb) mounted near the sensor.
3. Verify that the trimpot is not pointing at "Service" (red LED **ON**). If so, rotate the trimpot to its middle setting (pointing up). The Service setting allows users to operate the sensor as a service switch in the unlikely event of a failure.
4. If the lights still do not turn **OFF**, call 800.879.8585 for technical support.

### **Sensing motion outside desired areas.**

1. Select PIR Sensitivity — Low (DIP switch 4 = **ON**) if necessary.
2. Mask the PIR sensor's lens to eliminate unwanted coverage area.
3. Adjust the Ultrasonic Sensitivity. Rotate trimpot counterclockwise to reduce sensitivity.

### **Red LED is lit all the time and the sensor features don't work.**

1. Check the Ultrasonic trimpot. If it is set at fully counter-clockwise (MIN) the unit is in Service Mode. Set the trimpot to a mid-range position.
2. If resetting the trimpot does not clear the LED call technical support.

---

## COVER PLATES

---

Wattstopper DW series wall switches fit behind industry standard decorator-style switch cover plates. Cover plates are not included. Units come in the following colors, which are indicated by the final suffix of the catalog number (shown here in parentheses): White (-W), Light Almond (-LA), Ivory (-I), Grey (-G), Black (-B), Red (-R).

## DESCRIPTION ET FONCTIONNEMENT

Les détecteurs interrupteurs muraux à double technologie DW allient les technologies de l'infrarouge passif (IRP) et des ultrasons en une seule unité. Les technologies combinées permettent d'éliminer les faux déclenchements, même dans des applications difficiles.

Les modes opérationnels disponibles permettent au détecteur d'**ACTIVER** une charge et de la maintenir **ACTIVÉE** aussi longtemps que l'une des deux ou les deux technologies détectent une présence. Si aucun mouvement n'est détecté pendant la durée spécifiée, les lumières s'**ÉTEignent**. Le mode « passage » permet d'éteindre les lumières au bout de 3 minutes seulement si aucun mouvement n'est détecté 30 secondes après la détection d'une présence.

Le DW-100 dispose d'un relais et d'un bouton **MARCHE/ARRÊT**. Le DW-200 comprend deux relais et deux boutons **MARCHE/ARRÊT** pour permettre un contrôle indépendant d'une ou de deux charges. Appuyer sur un bouton fait basculer l'état du relais correspondant.

Les détecteurs DW sont équipés d'un détecteur de niveau de luminosité. Si la lumière du jour est suffisante, le détecteur maintient la charge **ACTIVÉE** jusqu'à ce que les niveaux de luminosité baissent, même en cas de détection de présence. Dans le DW-200, le niveau de luminosité affecte uniquement la charge du relais 2. Les utilisateurs peuvent rejeter cette fonction en appuyant sur le bouton **MARCHE/ARRÊT**. Voir Réglage du niveau de luminosité.

## SPÉCIFICATIONS

Tensions :

DW-100 et DW-200 ..... 120/277 V CA, 50/60 Hz  
 DW-100-347 ..... 347 V CA, 50/60 Hz

Limites de charge pour chaque relais :

à 120 V CA ..... 0-800 W Tungstène ou Ballast, 1/6 HP  
 à 277 V CA ..... Ballast 0-1 200 W  
 à 347 V CA ..... Ballast 0-1500 W

Compatibilité du type de charge :

Ballast incandescent, fluorescent, magnétique ou électronique  
 Puissance nominale (chaque relais) ..... 1/6 HP à 120 V CA

Réglage de la temporisation ..... de 5 à 30 minutes  
 Mode passage ..... 3 minutes si aucune activité après 30 s  
 Mode test... 5 s pour 10 min. avec réglage de l'interrupteur DIP

Réglage IRP ..... Haute ou basse (interrupteur DIP)  
 Réglage ultrasonique ..... Minimum au maximum (potentiomètre), Désactivé  
 Fréquence ..... 40 kHz  
 Réglage du niveau de luminosité ..... 8 à + 180 pieds-bougies (fc)  
 Alertes ..... sonores disponibles

Brevets américains : 5640113, 6617560

### Activation de la charge (Mode MARCHE)

Les relais sont programmés indépendamment soit sur **MARCHE automatique**, soit sur **MARCHE manuelle**. Dans ces deux modes, la charge peut être **ACTIVÉE** ou **DÉSACTIVÉE** à l'aide du bouton **MARCHE/ARRÊT**.

#### MARCHE manuelle

DIP 8 sur **ON** pour relais 1  
 DIP 9 sur **ON** pour relais 2

Lorsqu'un interrupteur DIP du mode **MARCHE** est en position **MARCHE**, la personne présente doit appuyer sur le bouton **MARCHE/ARRÊT** pour **ACTIVER** la charge. Le détecteur maintient la charge **ACTIVÉE** jusqu'à ce que plus aucun mouvement ne soit détecté pendant la temporisation sélectionnée. Il y a un délai de redéclenchement de 30 secondes. Si une présence se déclenche à nouveau lors de ce délai (voir la section Mode déclenchement), le détecteur **RÉACTIVE** la charge. Une fois que le délai de redéclenchement s'est écoulé, vous devez appuyer sur le bouton **MARCHE/ARRÊT** pour **ACTIVER** la charge.

#### MARCHE automatique

DIP 8 sur **ARRÊT** pour relais 1  
 DIP 9 sur **ARRÊT** pour relais 2

Lorsqu'un interrupteur DIP du mode **MARCHE** est en position **ARRÊT**, la charge s'**ACTIVE** et se **DÉSACTIVE** automatiquement en fonction de la présence. Si la charge est **DÉSACTIVÉE** manuellement, le mode présentation s'applique. Cela permet d'éviter que la charge ne s'**ACTIVE** automatiquement après qu'elle ait été volontairement **DÉSACTIVÉE**. Si vous appuyez sur le bouton pour **ALLUMER** les lumières, le détecteur revient en mode **MARCHE automatique**.

N° de modèle	Relais	Mode Marche par défaut	N° d'interrupteur DIP	Réglage
DW-100	1	MARCHE manuelle	8	MARCHE
DW-100-347	1	MARCHE manuelle	8	MARCHE
DW-200	1	MARCHE automatique	8	ARRÊT
	2	MARCHE manuelle	9	MARCHE

### Mode présentation

Le mode **présentation** est une fonctionnalité du mode **MARCHE automatique**. Lorsque les deux relais sont **DÉSACTIVÉS** manuellement, le DW maintient les lumières **ÉTEINTES** jusqu'à ce que plus aucun mouvement ne soit détecté pendant la durée de la temporisation. Si une autre présence est détectée, le DW **ACTIVE** la charge. Si les deux relais sont **ACTIVÉS** et qu'un relais est **DÉSACTIVÉ** manuellement, ce relais reste **DÉSACTIVÉ** jusqu'à ce que la temporisation et le délai de redéclenchement soient écoulés pour le relais qui est **ACTIVÉ**. Une fois ce délai écoulé, les réglages du contrôle du mode **MARCHE** s'appliquent à nouveau.

### Temporisations

Le détecteur DW maintient la charge **ACTIVÉE** jusqu'à ce que plus aucun mouvement ne soit détecté pendant la temporisation sélectionnée. Sélectionnez la temporisation à l'aide des réglages de l'interrupteur DIP. Dans le DW-200, les deux relais utilisent la même temporisation.

<b>Test/20 min</b> (DIP 1 et 2 <b>DÉSACTIVÉS</b> )	Le mode test, avec une temporisation courte de 5 secondes, est lancé lorsque les interrupteurs DIP 1 et 2 sont <b>DÉSACTIVÉS</b> . Il s'arrête automatiquement au bout de 10 minutes ou lorsque vous définissez un délai de temporisation fixe. Lorsque le mode test est terminé, le détecteur considère un délai de temporisation de 20 minutes. Pour redémarrer le mode test, réglez le délai de temporisation sur un temps fixe pour retrouver le réglage du test.
<b>Temporisation</b> (15 min. DIP 1 <b>ACTIVÉ</b> et 2 <b>DÉSACTIVÉ</b> )	Des temporisations de 5, 15 (par défaut) ou 30 minutes sont disponibles. Pour plus d'informations, reportez-vous à la rubrique RÉGLAGES DE L'INTERRUPTEUR DIP.

### Mode passage

Le mode passage raccourcit le délai de temporisation pour réduire le temps d'**ACTIVATION** de la charge après un court moment de présence, comme, par exemple, une personne qui revient à son bureau pour prendre un objet qu'elle a oublié et qui repart immédiatement.

<b>Mode passage</b> (DIP 3 <b>ACTIVÉ</b> )	Le détecteur DW <b>COUPE</b> la charge trois minutes après la détection initiale d'une présence dans la zone si aucun mouvement n'est détecté au bout des 30 premières secondes. Si le mouvement persiste au-delà des 30 premières secondes, la temporisation sélectionnée se déclenche.
<b>Pas de passage</b> (DIP 3 <b>DÉSACTIVÉ</b> )	Mode de passage désactivé.

### Réglage de la sensibilité IRP

Le détecteur DW surveille en permanence l'environnement contrôlé et ajuste automatiquement l'IRP pour éviter des conditions ambiantes courantes pouvant entraîner de fausses détections, tout en offrant une portée maximale.

<b>Élevé</b> (DIP 4 <b>DÉSACTIVÉ</b> )	Réglage par défaut. Convient à la plupart des applications.
<b>Faible, 50 %</b> (DIP 4 <b>ACTIVÉ</b> )	Réduit la sensibilité d'environ 50 %. Utile dans les cas où l'IRP détecte un mouvement hors de la zone souhaitée (prenez également en compte l'obstruction de la lentille) et dans les cas où des sources de chaleur entraînent une activation inutile.

### Alertes

Le DW peut activer des alarmes sonores qui lancent un avertissement avant la **COUPURE** de la charge.

<b>Alertes audibles</b> (DIP 7 <b>ACTIVÉ</b> )	L'appareil va émettre un bip 1 minute, 30 secondes et 10 secondes avant la <b>COUPURE</b> de la charge. Lorsque le mode passage est actif, l'appareil émet 3 bips 10 secondes avant la <b>COUPURE</b> de la charge.
<b>Aucune alerte</b>	Aucun avertissement fourni.

### Mode déclenchement

Le détecteur DW dispose de quatre options de déclenchement de présence, reliées aux interrupteurs DIP 5 et 6. Choisissez l'option la plus appropriée à l'aide de la matrice de déclenchement.

Dans le tableau de réglage du commutateur DIP en mode déclenchement, pour considérer la zone occupée :

- **Les deux** nécessitent une détection de mouvements par l'IRP et les ultrasons.
- **L'un ou l'autre** nécessite une détection de mouvements par une seule technologie.
- **L'IRP** nécessite une détection de mouvements par l'IRP.

**Présence initiale** : méthode qui active un changement de « Veille » (zone non occupée et charge **COUPÉE**) à « Occupé » (zone occupée et la charge peut s'**ACTIVER**).

**Maintien de la présence** : méthode qui indique que la zone est toujours occupée et que les lumières doivent rester **ALLUMÉES**.

**Redéclenchement** : en mode **MARCHE automatique**, une fois que la charge est coupée, la détection par la technologie sélectionnée va permettre de **rallumer** les lumières dans le nombre de secondes indiquées. Si vous avez **ACTIVÉ** la charge avec le bouton **MARCHE/ARRÊT**, le délai de redéclenchement est de 30 secondes.

Mode déclenchement	Présence initiale	Maintien de la présence	Redéclenchement	Commutateur DIP	
				5	6
Standard	Les deux	L'un ou l'autre	L'un ou l'autre	↓	↓
Option A	IRP	L'un ou l'autre	L'un ou l'autre	↓	↑
Option B	IRP	IRP	IRP	↑	↓
Option C	Les deux	Les deux	Les deux	↑	↑

↑=MARCHE ↓=ARRÊT

## PORTÉE

un test relatif à la portée a été effectué conformément aux instructions NEMA WD 7. Pour de meilleures performances, ne l'utilisez pas dans des endroits plus grands que 5,5 m x 4,6 m (18 pi. x 15 pi.).

### Détecteur IRP

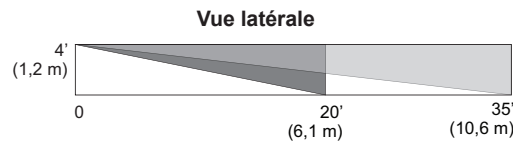
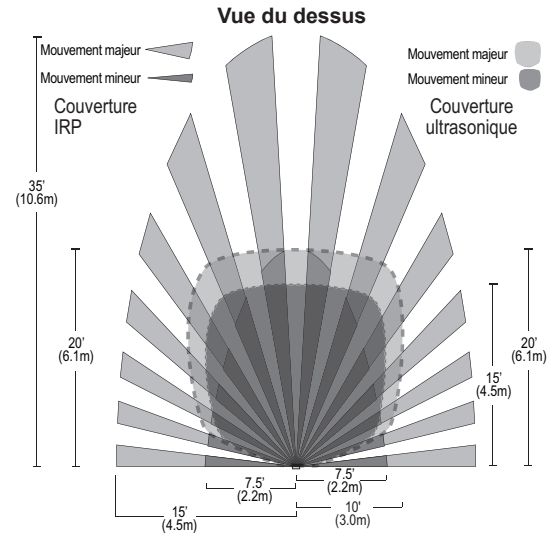
Le détecteur est équipé d'une lentille de Fresnel multicellulaire avec un champ visuel de 180 degrés. La DEL rouge du détecteur clignote lorsque l'IRP détecte un mouvement.

### Obstruction de la lentille

Du ruban adhésif opaque est fourni de manière à pouvoir masquer des parties du champ de vision de l'IRP. Vous pouvez empêcher la portée dans les zones non souhaitées. Étant donné que cette obstruction diminue la portée, n'oubliez pas d'en tenir compte en cas de dépannage des problèmes de portée.

### Détecteur à ultrasons

Le détecteur est équipé de deux émetteurs-récepteurs à ultrasons dont la fréquence de fonctionnement est de 40 kHz. La sensibilité de détection peut être ajustée à l'aide du potentiomètre situé sous les boutons MARCHÉ/ARRÊT.



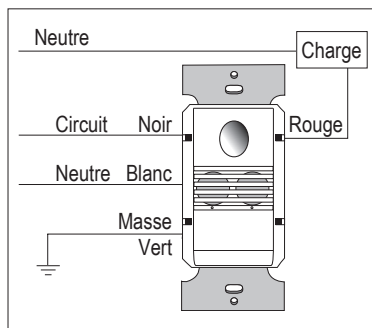
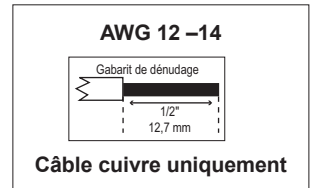
## INSTALLATION



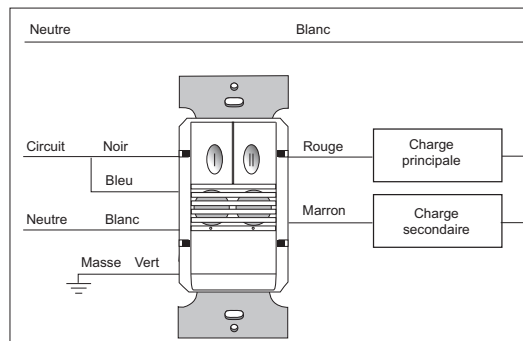
**AVERTISSEMENT : COUPER LE COURANT AU DISJONCTEUR PRINCIPAL AVANT D'INSTALLER LE CÂBLAGE.**



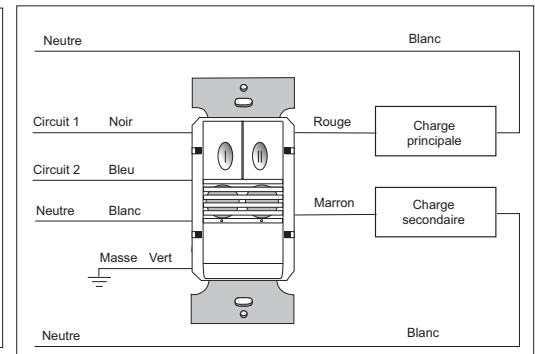
1. Assurez-vous que le courant a bien été **COUPÉ** au niveau du disjoncteur.
2. Connectez les fils aux câbles volants du DW, comme illustré dans le schéma de câblage ci-dessous qui correspond au modèle DW et à l'alimentation électrique.
3. Raccordez le DW au boîtier mural en insérant des vis dans les deux grands orifices en haut et en bas du support métallique fixé. Alignez-les sur les orifices du boîtier mural et serrez-les.
4. **ENCLENCHEZ** le disjoncteur. Patientez une minute et appuyez sur le bouton **MARCHÉ/ARRÊT** de chaque charge et les lumières vont **s'ALLUMER**.
5. Testez le détecteur et ajustez-le si nécessaire.
6. Fixez le cache.



Câblage du DW-100 et du DW-100-347



Câblage à deux niveaux DW-200



Câblage circuit double DW-200



## RÉGLAGES DE L'INTERRUPTEUR DIP

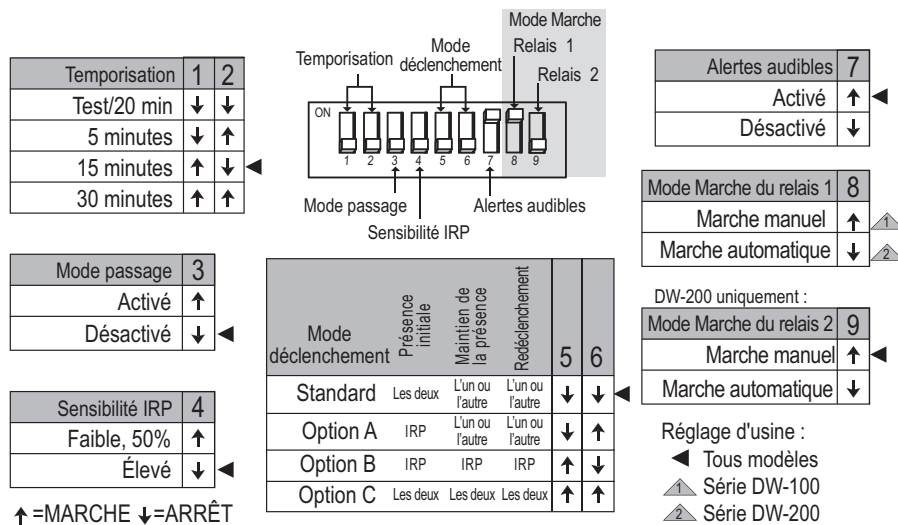
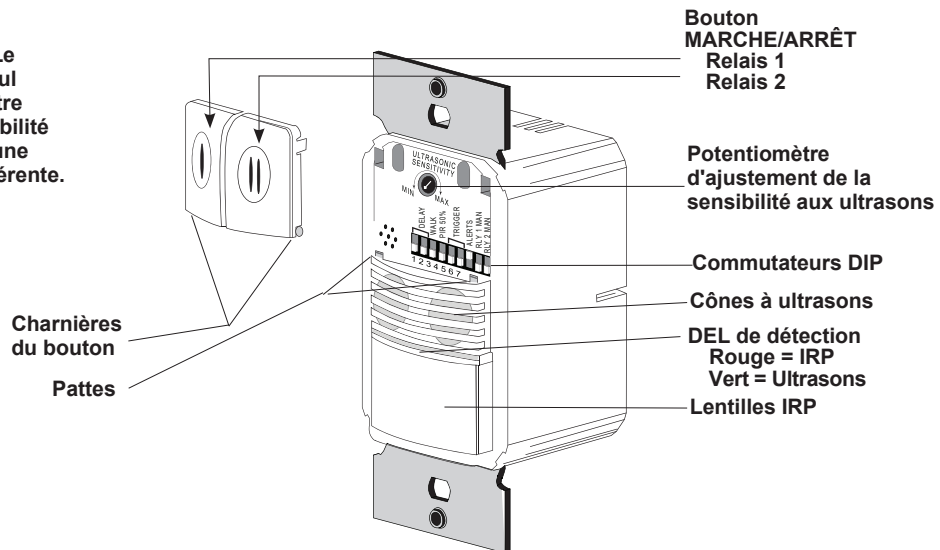


Illustration du DW-200. Le DW-100 dispose d'un seul bouton et le potentiomètre d'ajustement de la sensibilité aux ultrasons est dans une position légèrement différente.



## RÉGLAGES

### Réglage du détecteur

Retirez la plaque murale. Retirez la protection du bouton en serrant fermement les côtés supérieurs de l'assemblage du bouton. Retirez-la doucement de l'appareil.

Une fois les ajustements effectués, repositionnez la protection du bouton en introduisant ses charnières dans les pattes de l'appareil principal, puis serrez la partie supérieure du bouton tout en l'engageant dans l'appareil. Repositionnez le cache.

### Réglage du niveau de luminosité

Le niveau de luminosité peut être réglé avec les charges **ACTIVÉES** ou **COUPÉES**. Pour activer le contrôle du niveau de luminosité et définir le seuil :

1. Assurez-vous que la pièce est suffisamment éclairée.
2. Placez le détecteur en mode TEST. Vous n'avez que 5 minutes pour exécuter cette procédure.
3. Maintenez enfoncé le bouton **MARCHÉ/ARRÊT** (bouton relais 1 sur le DW-200) pendant 3 secondes, jusqu'à ce que vous entendiez un bip.
4. Éloignez-vous du détecteur. Un bip est émis au bout de 25 secondes. Il indique que le seuil est défini. Ce seuil est conservé, même lorsque l'alimentation est coupée, jusqu'à ce qu'il soit réinitialisé ou désactivé. Dans le DW-200, le contrôle du niveau de luminosité ne concerne que le relais 2.

Pour désactiver le contrôle du niveau de luminosité, maintenez enfoncé le bouton **MARCHÉ/ARRÊT** du relais 1 pendant 7 secondes, jusqu'à l'émission d'un double bip sonore.

## Réinitialisation sur les réglages par défaut

Utilisez les tableaux de réglages de l'interrupteur DIP à la page précédente pour réinitialiser sur les réglages par défaut. Pour réinitialiser le DW, maintenez enfoncé le bouton **MARCHE/ARRÊT** du relais 1 pendant 10 secondes, jusqu'à ce qu'un triple bip se fasse entendre. Cette opération permet de réinitialiser le détecteur et de désactiver le contrôle du niveau de luminosité (même en cas d'environnement extrêmement lumineux, les lumières s'**ALLUMENT**).

## Mode service

Pour passer en mode service, réglez le potentiomètre d'ajustement de la sensibilité aux ultrasons sur MIN (complètement dans le sens inverse des aiguilles d'une montre).

---

## DÉPANNAGE

---

### Les lumières ne s'**ALLUMENT** pas lorsqu'il y a du mouvement (la DEL clignote).

1. Appuyez et relâchez chaque bouton pour vous assurer que les bonnes lumières s'**ALLUMENT** pour chaque relais. Si les lumières ne s'**ALLUMENT** PAS, vérifiez le raccordement des fils, notamment le raccordement de la charge. Si les lumières s'**ALLUMENT**, vérifiez que le bon mode marche est sélectionné au niveau des interrupteurs DIP 8 et 9.
2. Vérifiez que le contrôle du niveau de luminosité est activé : couvrez la lentille du détecteur avec votre main. Si les lumières s'**ALLUMENT**, réglez le niveau de luminosité.
3. Si les lumières ne s'**ALLUMENT** toujours pas, appelez au 800.879.8585 pour obtenir du soutien technique.

### Les lumières ne s'**ALLUMENT** pas lorsqu'il y a du mouvement (la DEL ne clignote pas).

1. Appuyez et relâchez chaque bouton. Assurez-vous que les bonnes lumières s'**ALLUMENT** pour chaque relais. Si les lumières s'**ALLUMENT**, réglez la sensibilité IRP et aux ultrasons au maximum.
2. Vérifiez les raccordements des fils, notamment les raccordements des fils neutre et secteur. Vérifiez que les raccordements sont bien fixés.
3. Si les lumières ne s'**ALLUMENT** toujours pas, appelez au 800.879.8585 pour obtenir du soutien technique.

### Les lumières ne s'**ÉTEignent** pas.

1. Une temporisation peut atteindre 30 minutes après la détection du dernier mouvement. Pour vous assurer d'un fonctionnement correct, réglez l'interrupteur DIP 1 sur **MARCHE**, puis réinitialisez les interrupteurs 1 et 2 sur **ARRÊT** pour démarrer le mode test. Éloignez-vous du détecteur. Les lumières doivent s'**ÉTEINDRE** au bout de 5 secondes environ.
2. Assurez-vous que le détecteur est installé à au moins 2 m (6 pi.) de tout appareil de chauffage/de ventilation/de climatisation pouvant entraîner de fausses détections. Assurez-vous qu'aucune source de chaleur importante (ampoule de forte intensité, par exemple) ne se trouve à proximité du détecteur.
3. Vérifiez que le potentiomètre d'ajustement ne pointe pas vers « Entretien » (DEL rouge **ALLUMÉE**). Si tel est le cas, tournez le potentiomètre d'ajustement sur son réglage moyen (pointant vers le haut). Le mode service permet au détecteur de fonctionner comme un interrupteur de service dans le cas improbable d'une panne.
4. Si les lumières ne s'**ÉTEignent** toujours pas, appelez au 800.879.8585 pour obtenir du soutien technique.

### Détection de mouvements au-delà de la zone souhaitée.

1. Sélectionnez la sensibilité de l'IRP ----- Faible (interrupteur DIP 4 = **MARCHE**) si nécessaire.
2. Masquez la lentille du détecteur IRP pour empêcher la portée dans les zones non souhaitées.
3. Ajustez la sensibilité aux ultrasons. Faites pivoter le potentiomètre dans le sens contraire des aiguilles d'une montre pour réduire la sensibilité.

### La DEL rouge est allumée en permanence et les fonctions du détecteur ne fonctionnent pas.

1. Vérifiez le potentiomètre d'ajustement des ultrasons. S'il est réglé complètement dans le sens inverse des aiguilles d'une montre (MIN), l'appareil est en mode service. Réglez le potentiomètre sur la position moyenne.
2. Si, malgré la réinitialisation du potentiomètre d'ajustement, la DEL ne s'éteint pas, appelez le support technique.

---

## CACHES

---

Les interrupteurs muraux de la série DW de Wattstopper peuvent être montés derrière des caches d'interrupteur de style Decorator aux normes du secteur. Les caches ne sont pas fournis.

Les appareils sont proposés dans les couleurs ci-dessous. Elles sont indiquées par les suffixes du numéro de catalogue (indiquées ici entre parenthèses) :

Blanc (-W), Amande légère (-LA), Ivoire (-I), Gris (-G), Noir (-B), Rouge (-R).

**DESCRIPCIÓN Y FUNCIONAMIENTO**

Los sensores del interruptor de pared con tecnología doble DW combinan las tecnologías infrarroja pasiva (PIR) avanzada y la ultrasónica en una sola unidad. Estas tecnologías combinadas ayudan a eliminar las falsas activaciones, incluso en aplicaciones difíciles.

Los modos de funcionamiento seleccionables permiten al sensor **encender** la carga y mantenerla **encendida** hasta que una o ambas tecnologías detecten a un ocupante. Luego de no detectar movimiento durante la demora de tiempo seleccionada, las luces se **apagan**. El modo de "recorrido" puede apagar las luces después de solo 3 minutos si no se detecta actividad después de 30 segundos de una detección de ocupación.

El modelo DW-100 tiene un relé y un botón de **Encendido y Apagado**. El DW-200 contiene dos relés y dos botones de **Encendido/Apagado** para permitir el control de una o dos cargas independientemente. Presionar un botón alterna el estado del relé correspondiente.

Los sensores DW contienen un sensor de nivel de luz. En caso de haber luz de día adecuada, el sensor mantiene la carga **Apagada** hasta que cae el nivel de luz, aun cuando el área está ocupada. En el DW-200, el nivel de luz solo afecta la carga en el relé 2. Para omitir esta función, los usuarios pueden presionar el botón de **encendido y apagado**. Consulte el ajuste de nivel de luz.

**Activación de cargas (modo de encendido)**

Los relés están programados de manera independiente para **Encendido automático** o **Encendido manual**. En cualquiera de los modos, la carga se puede **encender** o **apagar** mediante el botón de **Encendido/Apagado**.

**Encendido manual**

Conmutador selector para bascular 8 **Encendido** para el relé 1

Conmutador selector para bascular 9 **Encendido** para el relé 2

Con el conmutador selector para bascular en la posición de **encendido**, el ocupante debe presionar el botón de **Encendido y Apagado** para **activar** la carga. El sensor mantiene la carga **encendida** hasta que no se detecta movimiento durante la demora de tiempo seleccionada. Hay una demora de 30 segundos de re-reinicio. Si se reinicia la ocupación durante la demora (consulte Modo de activación), el sensor vuelve a colocar la carga en posición de **encendido**. Luego de transcurrida la demora de reinicio, se debe presionar el botón de Encendido/Apagado para encender la carga.

**Encendido automático**

Conmutador selector para bascular 8 **Apagado** para el relé 1

Conmutador selector para bascular 9 **Apagado** para el relé 2

Con el interruptor de conmutador selector para bascular en la posición de **Apagado**, la carga se **enciende** y se **apaga** automáticamente según la ocupación. Si la carga se **apaga** manualmente, se aplica la operación en modo de Presentación. Esto evita que la carga se encienda automáticamente después de haberse **apagado** deliberadamente. Al presionar el botón de **encendido**, las luces del sensor vuelven al modo de **Encendido automático**,

**ESPECIFICACIONES**

Voltajes:

DW-100 y DW-200 ..... 120/277 VCA, 50/60 Hz  
 DW-100-347 .....347 VCA, 50/60 Hz

Límites de carga para cada relé:

A 120 V CA..... Tungsteno o balastro 0-800W, 1/6 caballos de fuerza  
 A 277 V CA.....Balastro 0-1200W  
 A 347 V CA.....Balastro 0-1500W

Compatibilidad del tipo de carga:

Balastro incandescente, fluorescente, magnético o electrónico  
 Clasificación de caballos de fuerza (cada relé) . 1/6 caballos de fuerza a 120 VCA

Ajuste del tiempo de demora..... De 5 a 30 minutos

Modo de recorrido3 minutos si no hay actividad después de 30 segundos  
 Modo de prueba . 5 seg. por 10 min. con configuración de interruptor DIP

Ajuste PIR .....Alto o bajo (interruptor DIP)

Ajuste ultrasónico..... Mínimo a Máximo (potenciómetro), apagado

Frecuencia .....40 kHz

Ajuste de nivel de luz .....8fc a 180+fc

Alertas ..... Sonoras seleccionables

Patentes de EE. UU.: 5640113, 6617560

N.º de modelo	Relé	Modo de encendido predeterminado	Conmutador selector para bascular N.º	Configuración
DW-100	1	Encendido <b>manual</b>	8	<b>ENCENDIDO</b>
DW-100-347	1	Encendido <b>manual</b>	8	<b>ENCENDIDO</b>
DW-200	1	Encendido <b>automático</b>	8	<b>APAGADO</b>
	2	Encendido <b>manual</b>	9	<b>ENCENDIDO</b>

**Modo de presentación**

El modo de presentación es una función del modo de Encendido automático. Cuando el relé se **apaga** manualmente, el PW mantiene las luces **apagadas** hasta que no se detecta ningún movimiento durante el tiempo de demora. Con la ocupación subsiguiente, el DW **enciende** la carga. Si ambos relés están **encendidos** y uno de los relés se **apaga** manualmente, este relé permanece **apagado** hasta que la demora de tiempo y la demora de reinicio transcurran para el relé que está **encendido**, luego de ese tiempo, se aplican de nuevo las configuraciones de control en modo de **encendido**.

**Demoras de tiempo**

El sensor DW mantiene la carga **encendida** hasta que no se detecta movimiento durante la demora de tiempo seleccionada. Selecciona la demora de tiempo mediante las configuraciones del conmutador selector para bascular. En el DW-200, ambos relés usan la misma demora.

<b>Prueba/20 min.</b> Conmutador selector para bascular 1 y 2 <b>Apagado</b> )	Se configura un modo de prueba con una demora de tiempo breve de cinco segundos cuando los conmutadores selectores para bascular 1 y 2 están <b>apagados</b> . Se cancela automáticamente después de diez minutos o cuando se configura una demora de tiempo fija. Cuando termina el modo de prueba, el sensor presume una demora de 20 minutos. Para volver a iniciar el modo de Prueba, cambie la configuración de la demora de tiempo a la cantidad fija que desee y, luego, vuélvala a la configuración de prueba.
<b>Tiempo de demora</b> (15 min. Conmutador selector para bascular 1 <b>Encendido</b> y 2 <b>Apagado</b> )	Se dispone de demoras de tiempo de 5, 15 (predeterminado) o 30 minutos. Consulte CONFIGURACIÓN DEL CONMUTADOR SELECTOR PARA BASCULAR para obtener más información.

### Modo de recorrido

El modo de recorrido acorta el tiempo de demora para reducir la cantidad de tiempo en que la carga está **encendida** después de un breve momento de ocupación como, por ejemplo, volver a la oficina para buscar algo que se olvidó y salir inmediatamente.

<b>Modo de recorrido</b> (Conmutador selector para bascular N.º 3 <b>Encendido</b> )	El sensor DW <b>apaga</b> la carga 3 minutos después que el área esté inicialmente ocupada, si no se detecta movimiento después de 30 segundos. Si el movimiento continúa por más de 30 segundos, se aplica el tiempo de demora establecido.
<b>Sin recorrido</b> (Conmutador selector para bascular N.º 3 <b>apagado</b> )	Modo de recorrido deshabilitado.

### Ajuste de sensibilidad infrarroja pasiva (PIR)

El sensor DW monitorea constantemente el entorno controlado y ajusta automáticamente el PIR para evitar las condiciones ambientales comunes que pueden causar falsas detecciones, al tiempo que proporciona una máxima cobertura.

<b>Alto</b> (Conmutador sensor para bascular N.º 4 <b>apagado</b> )	Configuración predeterminada. Adecuada para la mayoría de las aplicaciones.
<b>Baja, 50%</b> (Conmutador sensor para bascular N.º 4 <b>Encendido</b> )	Reduce la sensibilidad en aproximadamente un 50%. Útil en casos donde el PIR detecta movimiento fuera del área deseada (también considere enmascarar la lente) y donde las fuentes de calor causan una activación innecesaria.

### Alertas

El DW puede proporcionar alertas audibles como advertencia antes de que se apague la carga.

<b>Alertas audibles</b> (Conmutador sensor para bascular N.º 7 <b>Encendido</b> )	La unidad emitirá una señal sonora después de 1 minuto, después de 30 segundos y 10 segundos antes de <b>apagar</b> la carga. Cuando se activa el modo de Recorrido, la unidad emite una señal sonora tres veces a los 10 segundos antes de que la carga se apague.
<b>Sin alertas</b>	No se proporcionan advertencias.

### Modo de activación

El sensor DW tiene cuatro opciones para los activadores de ocupación, configuradas con los interruptores DIP 5 y 6. Determine la opción adecuada usando la matriz de activación.

En la tabla de configuración del conmutador selector para bascular en modo de activación, para considerar el área como ocupada:

- **Se requiere detección de movimiento tanto** en el PIR y el ultrasónico.
- **Se requiere detección de movimiento en** solo una tecnología.
- **PIR** requiere detección de movimiento en el PIR.

**Ocupación inicial:** El método que activa un cambio de “Espera” (área sin ocupar y **sin** carga) a “Ocupado” (el área está ocupada y pueden **encenderse** la carga).

**Mantener ocupación:** El método que indica que el área aún está ocupada, y las luces deberían permanecer **encendidas**.

**Reinicio:** En el modo de encendido automático, después de que la carga se apaga, la detección mediante la tecnología seleccionada dentro de 5 segundos enciende las luces nuevamente. Si la carga se **encendió** con el botón de **encendido/apagado**, el tiempo de resparo es de 30 segundos.

Modo de activación	Ocupación inicial	Mantener ocupación	Reinicio (duración en segundos)	Interruptor DIP	
				5	6
<b>Estándar</b>	Ambas	Cualquiera	Cualquiera	↓	↓
<b>Opción A</b>	PIR	Cualquiera	Cualquiera	↓	↑
<b>Opción B</b>	PIR	PIR	PIR	↑	↓
<b>Opción C</b>	Ambas	Ambas	Ambas	↑	↑

↑=ENCENDIDO ↓=APAGADO

## PATRONES DE COBERTURA

La prueba de cobertura se realizó de acuerdo con los lineamientos NEMA WD 7. Para un mejor desempeño, utilícelo en espacios no superiores a 18 pies x 15 pies.

### Sensor del PIR

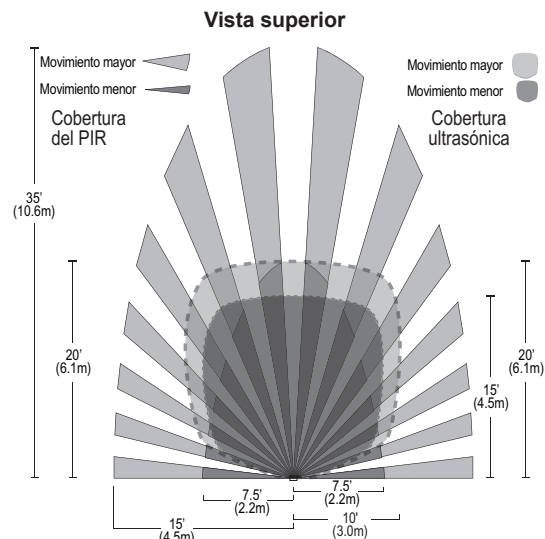
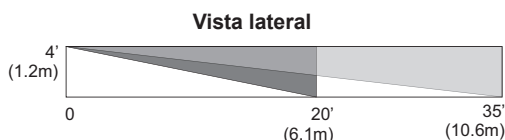
El sensor tiene un lente Fresnel de vista multicelular de dos niveles con un campo visual de 180 grados. El LED rojo en el sensor se enciende intermitentemente cuando el PIR detecta movimiento.

### Cómo enmascarar el lente

Se proporciona una cinta adhesiva opaca para que se puedan enmascarar secciones de los lentes del PIR. Puede eliminar la cobertura en áreas no deseadas. Dado que el enmascaramiento quita franjas de cobertura, tenga esto en cuenta al resolver problemas de cobertura.

### Sensor ultrasónico

El sensor tiene dos transmisores y receptores ultrasónicos que funcionan a 40 kHz. La sensibilidad de detección puede ajustarse mediante el potenciómetro que está debajo de los botones de Encendido/Apagado.



## INSTALACIÓN

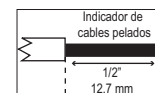


**ADVERTENCIA: DESCONECTE LA ALIMENTACIÓN EN EL DISYUNTOR ANTES DEL CABLEADO.**

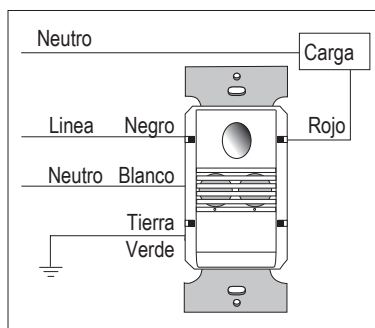


1. Asegúrese de haber **apagado** la energía en el disyuntor.
2. Conecte los cables a los conductores volantes del DW como se muestra en el diagrama de cableado a continuación apropiado para el modelo DW y el suministro eléctrico.
3. Adjunte el DW a la caja de la pared mediante la inserción de tornillos en los dos orificios grandes que se encuentran en la parte superior e inferior del soporte metálico adjunto. Únalos con los orificios en la caja de pared y ajústelos.
4. Coloque el disyuntor en posición de **Encendido**. Espere un minuto; luego, presione el botón de **Encendido/Apagado** para cada carga y las luces se **encenderán**.
5. Pruebe y ajuste el sensor si es necesario.
6. Coloque la placa de cubierta.

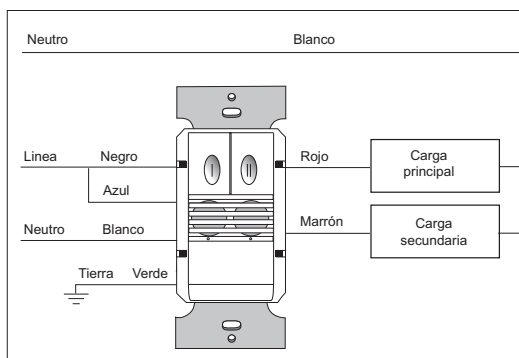
**Calibre AWG N.º 12 – 14**



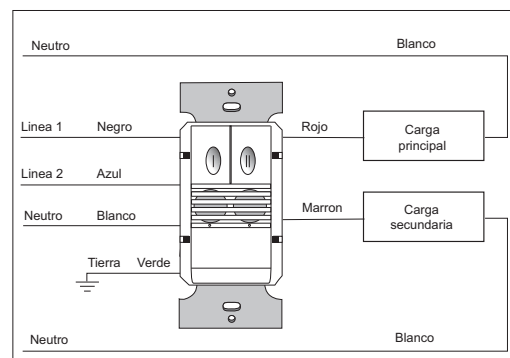
**Cable de cobre únicamente**



**Cableado de DW-100 y DW-100-347**

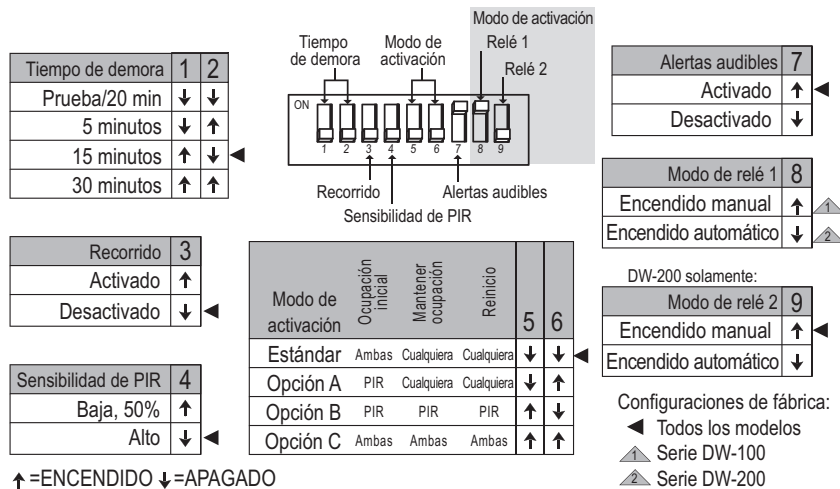


**Cableado de nivel doble DW-200**

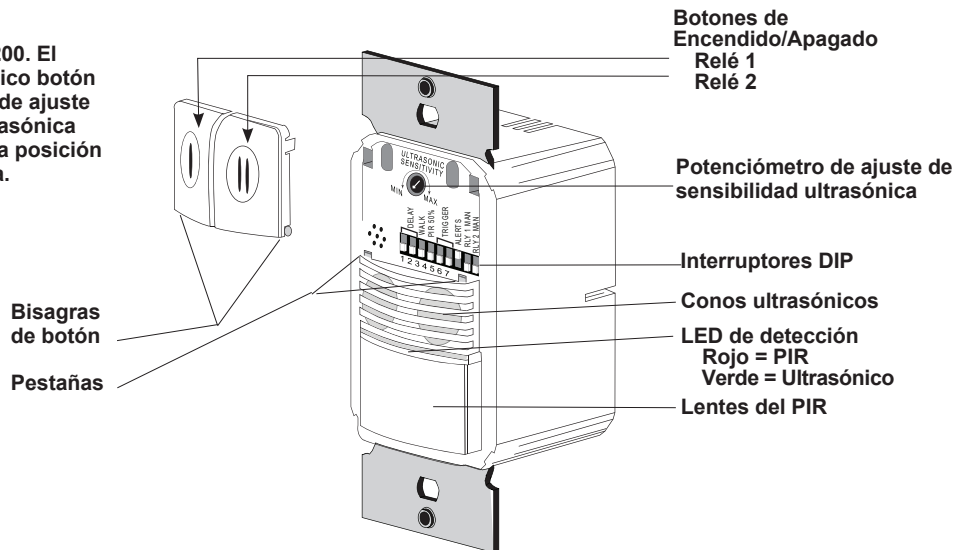


**Cableado de circuito doble DW-200**

## CONFIGURACIÓN DEL INTERRUPTOR DIP



Se muestra el DW-200. El DW-100 tiene un único botón y el potenciómetro de ajuste de sensibilidad ultrasónica se encuentra en una posición ligeramente distinta.



## AJUSTES

### Ajuste del sensor

Elimine la placa de la pared. Quite la tapa del botón apretando firmemente los laterales superiores del conjunto del botón. Con cuidado, retírela de la unidad.

Cuando se completen los ajustes, vuelva a colocar la tapa del botón insertando sus bisagras en las pestañas de la unidad principal y, luego, apriete la parte superior del botón mientras lo presiona hacia la unidad. Vuelva a instalar la placa de cubierta.

### Ajuste de nivel de luz

El nivel de luz se puede configurar con las cargas en posición de **Encendido** o **Apagado**. Para activar el control de nivel de luz y configurar el nivel mínimo:

1. Asegúrese de que la habitación esté correctamente iluminada.
2. Coloque el sensor en el modo de PRUEBA. Tiene 5 minutos para completar el procedimiento.
3. Presione y mantenga presionado el botón de **Encendido/Apagado** (botón de relé 1 en el DW-200) durante 3 segundos, hasta que escuche el sonido.
4. Aléjese del sensor. Luego de 25 segundos suena otra señal sonora indicando que el nivel mínimo está configurado. Este nivel mínimo se guarda, aun cuando se corta la energía, hasta que se vuelve a configurar o se lo desactiva. En el DW-200, el control de nivel de luz solo afecta al relé 2.

Para desactivar el control de nivel de luz, presione y mantenga presionado el botón de **encendido/apagado** (Relé 1) durante 7 segundos, hasta que escuche un tono de sonido doble.

### Volver a la configuración predeterminada

Utilice las tablas de configuraciones del interruptor DIP que se encuentran en la página anterior para volver las funciones a las configuraciones de fábrica. Para restablecer el DW, presione y mantenga presionado el botón de **encendido/apagado** (Relé 1) durante 10 segundos, hasta que escuche un tono de sonido triple. Esto vuelve a configurar el sensor y deshabilita el control de nivel de luz (la luz ambiente más brillante no mantendrá la luz **Apagada**).

### Modo de servicio

Para ingresar en el modo de servicio ajuste el potenciómetro de ajuste ultrasónico a MIN (totalmente hacia la izquierda)

---

## SOLUCIÓN DE PROBLEMAS

---

### Las luces no se encienden con el movimiento (el LED no destella).

1. Presione y suelte cada botón para asegurarse de que se **encienden** las luces correctas para cada relé. Si las luces NO se **encienden**, verifique las conexiones de los cables, especialmente la conexión de la carga. Si las luces se **encienden**, verifique que se haya seleccionado el modo de encendido correcto en los conmutadores selectores para bascular 8 y 9.
2. Verifique que el control de nivel de luz esté habilitado: cubra el lente del sensor con la mano. Si las luces se **encienden**, ajuste la configuración del nivel de luz.
3. Si las luces todavía no se **encienden**, llame al 800.879.8585 para obtener soporte técnico.

### Las luces no se encienden con el movimiento (el LED destella).

1. Presione y suelte cada botón. Asegúrese de que se **enciendan** las luces correctas para cada relé. Si las luces se **encienden**, establezca el PIR y la Sensibilidad ultrasónica en Alto.
2. Verifique las conexiones de cables; en especial, las conexiones del neutro y de línea. Verifique que las conexiones estén aseguradas firmemente.
3. Si las luces todavía no se **encienden**, llame al 800.879.8585 para obtener soporte técnico.

### Las luces no se apagan.

1. Puede haber un tiempo de demora de hasta 30 minutos después de haber detectado el último movimiento. Para verificar que la operación sea apropiada, configure el conmutador selector para bascular 1 en la posición de **Encendido**; luego, reestablezca los interruptores 1 y 2 en **Apagado** para volver a iniciar el modo de prueba. Aléjese de la vista del sensor. Las luces deben **apagarse** en aproximadamente 5 segundos.
2. Verifique que el sensor esté montado al menos a seis pies (2 metros) de distancia de cualquier dispositivo de aire acondicionado/ calefacción/ventilación que pueda causar una falsa detección. Verifique que no haya una fuente de calor importante (por ejemplo, bombilla de luz de alto voltaje) montada cerca del sensor.
3. Verifique que el potenciómetro no esté apuntando a "Servicio" (LED rojo **encendido**). Si es así, gire el potenciómetro al valor medio (apuntando hacia arriba). La configuración del servicio permite a los usuarios hacer funcionar el sensor como un interruptor de servicio en el caso poco probable de una falla.
4. Si las luces aún no se **apagan**, llame al 800.879.8585 para obtener soporte técnico.

### Detección de movimiento fuera de las áreas deseadas.

1. Seleccione la sensibilidad PIR — Baja (Conmutador selector para bascular 4 = **Encendido**) si es necesario.
2. Enmascare el lente del sensor PIR para eliminar el área de cobertura no deseada.
3. Ajuste la sensibilidad ultrasónica. Gire el potenciómetro en el sentido contrario a las agujas del reloj para reducir la sensibilidad.

### El LED rojo se enciende todo el tiempo y las características del sensor no funcionan.

1. Verifique el potenciómetro ultrasónico. Si está establecido completamente hacia la izquierda (MÍN), la unidad está en modo de servicio. Establezca el potenciómetro en una posición media.
2. Si el restablecimiento del potenciómetro no soluciona el problema del LED, llame al soporte técnico.

---

## PLACAS DE LA CUBIERTA

---

Los interruptores de pared serie DW de Wattstopper se encajan detrás de las placas de cubierta de los interruptores con estilo de decoración estándares de la industria. No se incluyen las placas de la cubierta.

Las unidades vienen en los siguientes colores, que se indican mediante el sufijo final del número de catálogo (se muestra entre paréntesis):

Blanco (-W), Almendra Claro (-LA), Marfil (-I), Gris (-G), Negro (-B), Rojo (-R).

---

### WARRANTY INFORMATION

Wattstopper warrants its products to be free of defects in materials and workmanship for a period of five (5) years. There are no obligations or liabilities on the part of Wattstopper for consequential damages arising out of, or in connection with, the use or performance of this product or other indirect damages with respect to loss of property, revenue or profit, or cost of removal, installation or reinstallation.

### INFORMATIONS RELATIVES À LA GARANTIE

Wattstopper garantit que ses produits sont exempts de défauts de matériaux et de fabrication pour une période de cinq (5) ans. Wattstopper ne peut être tenu responsable de tout dommage consécutif causé par ou lié à l'utilisation ou à la performance de ce produit ou tout autre dommage indirect lié à la perte de propriété, de revenus, ou de profits, ou aux coûts d'enlèvement, d'installation ou de réinstallation.

### INFORMACIÓN DE LA GARANTÍA

Wattstopper garantiza que sus productos están libres de defectos en materiales y mano de obra por un período de cinco (5) años. No existen obligaciones ni responsabilidades por parte de Wattstopper por daños consecuentes que se deriven o estén relacionados con el uso o el rendimiento de este producto u otros daños indirectos con respecto a la pérdida de propiedad, renta o ganancias, o al costo de extracción, instalación o reinstalación.