

# DIGITAL 24 Hour Time Switch Multipurpose Control E & E-PB Series



## APPLICATIONS

- Signs, air conditioning, lighting.
- Sump pumps, ventilating fans.

## FEATURES

- **Scheduling:** 20 ON/OFF set points repeat each day. Minimum setting 1 minute.
- **Daylight Saving:** Automatic adjustment (can be omitted).
- **Leap Year:** Automatic Compensation.
- **Manual Override:** Until the next regularly scheduled ON or OFF, automatic operation then resumes.
- **Clock Format:** AM/PM.
- **Power Outage Backup:** Permanent schedule retention. Supercapacitor provides 4 days of real time backup.
- **Momentary Option:** For mechanically held contractors: Model E201B only. Configure with simple jumper change for single-channel momentary operation.
- **Standards:** Listed UL917
- **Enhanced Switching:** Inrush current limiting technology protects relay contacts for extended life with zero cross type switching.

## SPECIFICATIONS

- **Timing Accuracy:** Line Frequency.
- **Input Voltage:**
  - E Series: 120-277VAC, 50/60Hz (automatic detection)
  - E-PB Series: 120VAC, 50/60Hz
- **Terminal Range:** #8 - #16AWG.
- **Operating Temperature:** -40 °F to +149 °F (-40 °C to +65 °C).
- **Power Consumption:** 6VA Max.
- **Enclosure:** Polycarbonate Indoor/Outdoor NEMA 3R is standard with lockable hasp. (See Pages 464-468 For Dimensions).

## WIRING DIAGRAMS

- See Pages 377-388 For Diagrams.

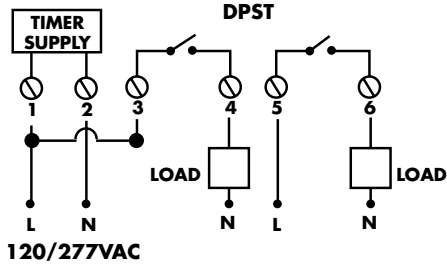


| CAT. NO. | UPC CODE | INPUT SUPPLY (VAC) 50/60Hz | NO. OF CHANNELS | DRY CONTACTS (UNPOWERED) |
|----------|----------|----------------------------|-----------------|--------------------------|
| E101B    | 82401    | 120-277                    | 1               | SPST                     |
| E103B    | 82411    | 120-277                    | 1               | DPST                     |
| E120B    | 82406    | 120-277                    | 1               | SPDT                     |
| E201B    | 82466    | 120-277                    | 2               | SPST                     |
| E101PB   | 82461    | 120                        | 1               | SPST                     |

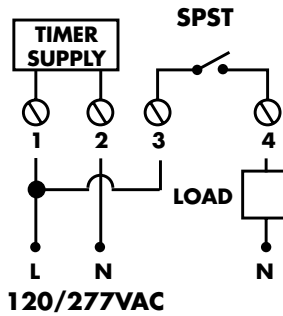
| TYPE                     | E101B, E103B, E201B |           | E120B     |         | E101PB        |           |
|--------------------------|---------------------|-----------|-----------|---------|---------------|-----------|
|                          | VOLTAGE (VAC)       | RATING NO | RATING NO | NC      | VOLTAGE (VAC) | RATING NO |
| General Purpose          | 120-277             | 40A       | 30A       | 30A     | 120/240       | 30A       |
|                          |                     |           |           |         | 277           | 12A       |
| Inductive                | 120-277             | 40A       | 30A       | 30A     | 120/240       | 30A       |
|                          |                     |           |           |         | 277           | 12A       |
| Ballast                  | 120                 | 30A       | 30A       | 10A     | 120           | 20A       |
|                          | 208-277             | 20A       | 20A       | 10A     | 277           | 6A        |
| Tungsten                 | 120                 | 15A       | 15A       | 2A      | 120           | 5A        |
| Pilot Duty               | 120-277             | 720VA     | 720VA     | 720VA   | 120-240       | 470VA     |
|                          |                     |           |           |         | 277           | 690VA     |
| Motor                    | 120                 | 1HP       | 1HP       | 1HP     | 120           | 1HP       |
|                          | 208                 | 1 1/2HP   | 1 1/2HP   | 1 1/2HP | 240           | 2HP       |
|                          | 240-277             | 2HP       | 2HP       | 2HP     | —             | —         |
| Resistive                | 28VDC               | 30A       | 30A       | 30A     | 28VDC         | 20A       |
| Electronic Ballast (LED) | 277                 | 16A       | 16A       | —       | 277           | 16A       |

# DIGITAL Wiring Diagrams

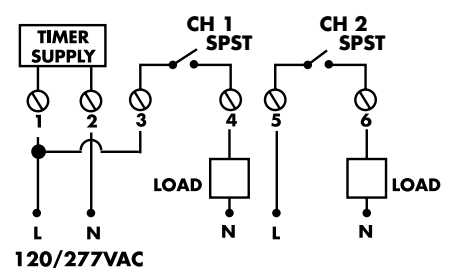
E103B (120/277VAC)



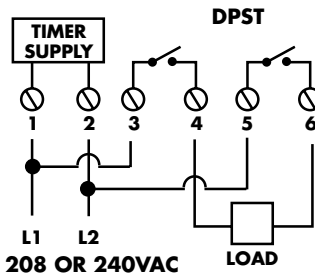
EW101B



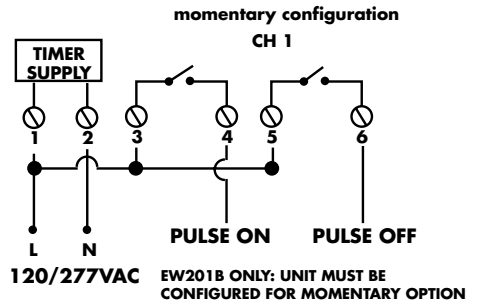
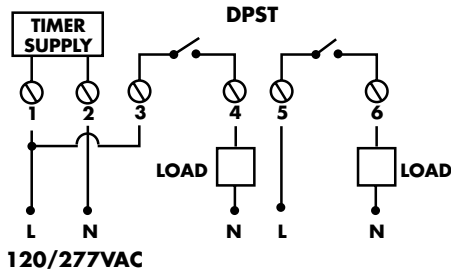
EW201B



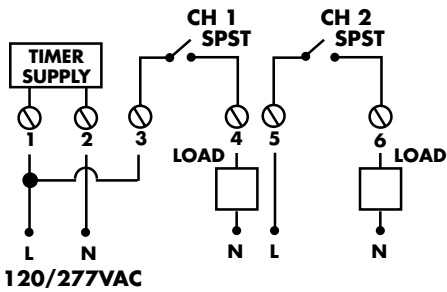
E103B (208/240VAC)



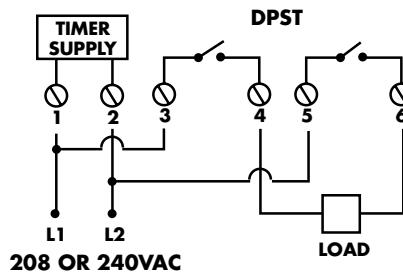
EW103B (120/277VAC)



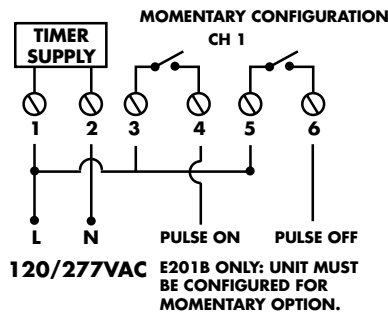
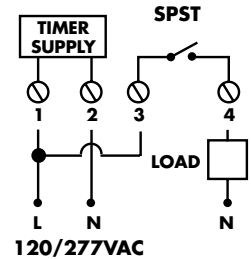
E201B



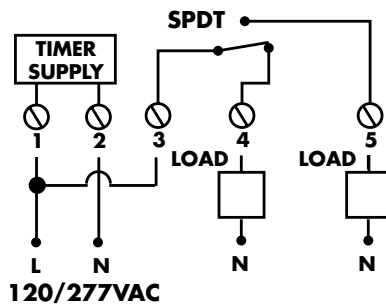
EW103B (208/240VAC)



EWZ101



EW120B



EWZ120

