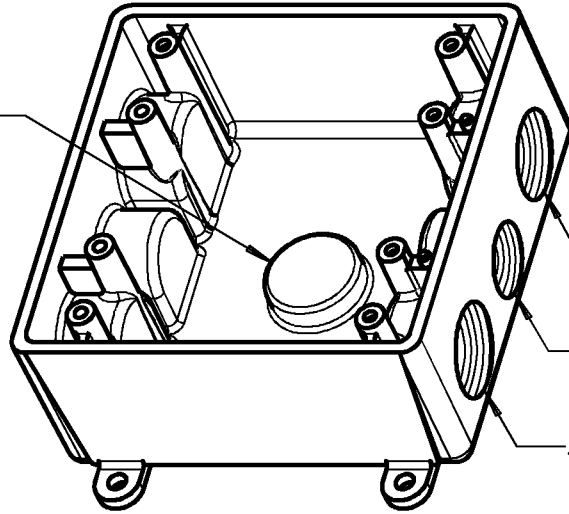


Carlton®

1/2" NPT
(UNDERSIDE)

NOTE:

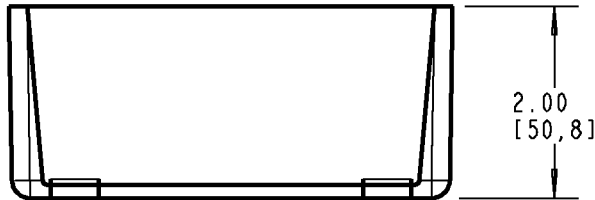
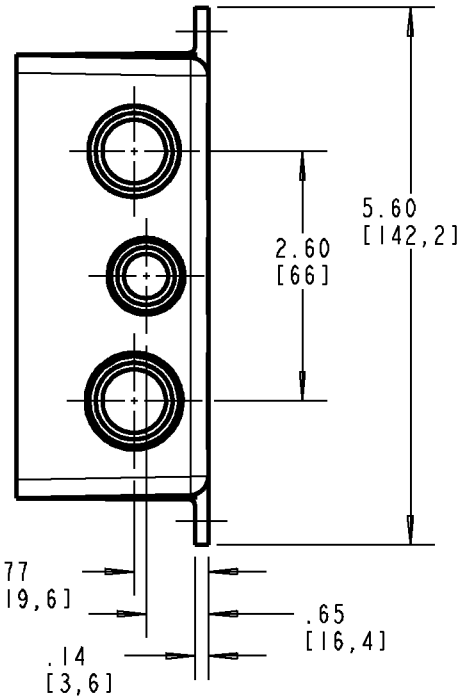
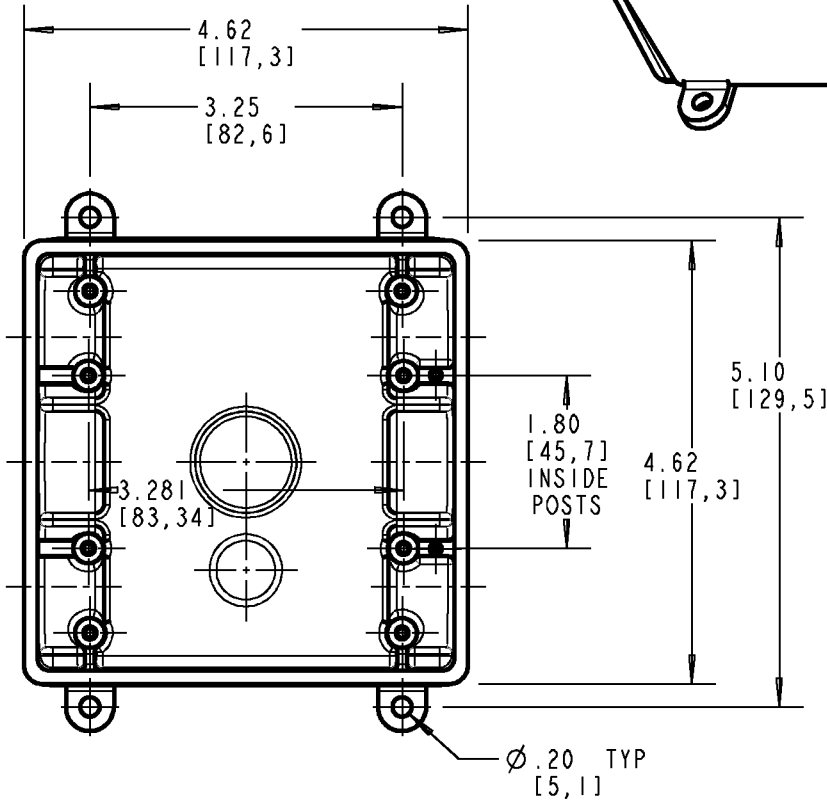
T-BOX USES 6-32 x 3/4" SCREWS



3/4" NPT
(TYP)

1/2" NPT
(TYP)

3/4" NPT
(TYP)



PART NUMBERS:

E382DE
CE382DE (CANADIAN)
E382DEL

E382DEW
CE382DEW (CANADIAN)
E382DEWL

GENERAL NOTES

1. ALL DIMENSIONS ARE FOR REFERENCE ONLY.
2. DIMENSIONS IN BRACKETS [] ARE IN METRIC UNITS.

www.tnb.com

Thomas & Betts

A Member of the ABB Group

DESCRIPTION:

2-GANG T-BOX

REVISIONS

A SEE ERN 2015242 FOR APPROVAL SIGNATURES & RELEASE DATE.
PROJECT NO: 5AM000007

ORIGINAL PROJECT NO / (ERN NO)

5AM03029 / (2010086)

SHEET NO:

1 OF 1

REV. NO:

A

DRAWING NO:

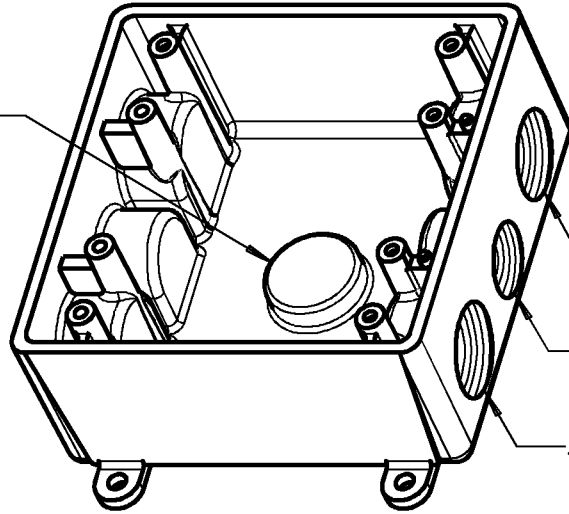
WSD-AC05216

Carlton®

1/2" NPT
(UNDERSIDE)

NOTE:

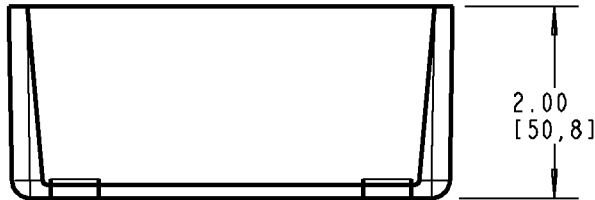
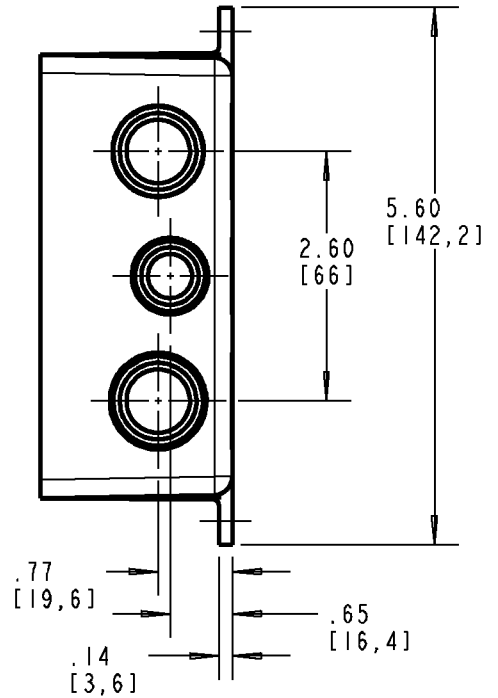
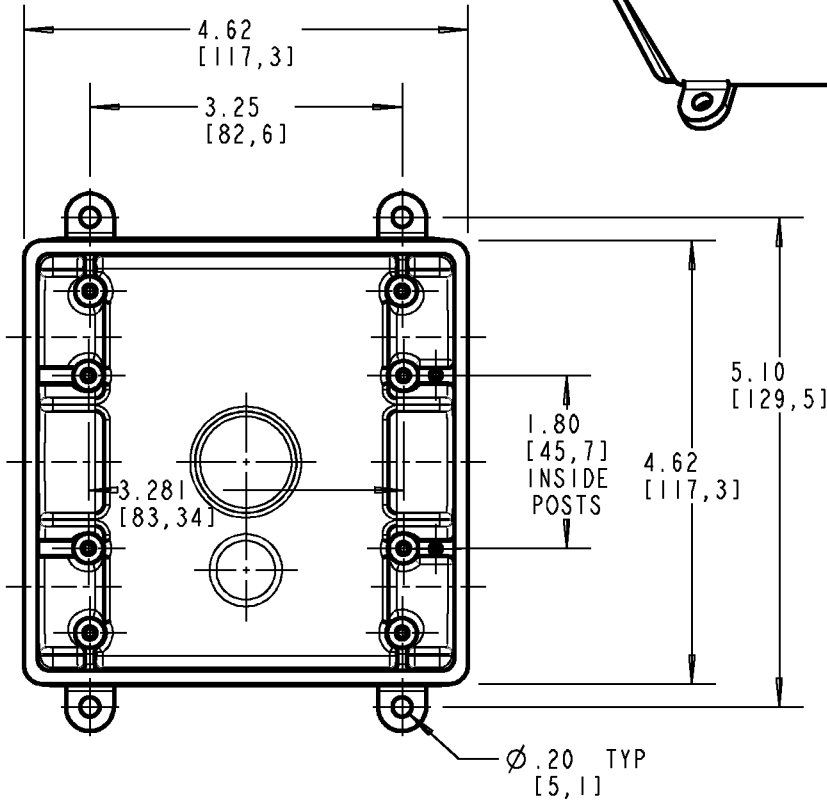
T-BOX USES 6-32 x 3/4" SCREWS



3/4" NPT
(TYP)

1/2" NPT
(TYP)

3/4" NPT
(TYP)



PART NUMBERS:

E382DE
CE382DE (CANADIAN)
E382DEL

E382DEW
CE382DEW (CANADIAN)
E382DEWL

GENERAL NOTES

1. ALL DIMENSIONS ARE FOR REFERENCE ONLY.
2. DIMENSIONS IN BRACKETS [] ARE IN METRIC UNITS.

www.tnb.com

Thomas & Betts

A Member of the ABB Group

DESCRIPTION:

2-GANG T-BOX

REVISIONS

A SEE ERN 2015242 FOR APPROVAL SIGNATURES & RELEASE DATE.
PROJECT NO: 5AM000007

ORIGINAL PROJECT NO / (ERN NO)

5AM03029 / (2010086)

SHEET NO:

1 OF 1

REV. NO:

A

DRAWING NO:

WSD-AC05216