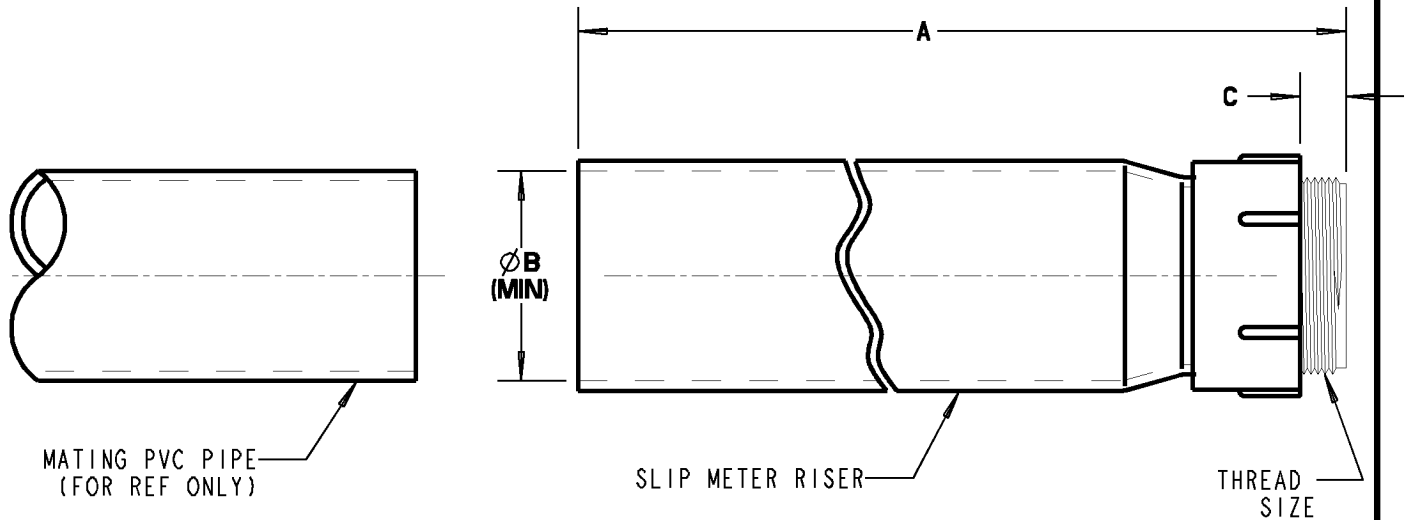



# Carlton®

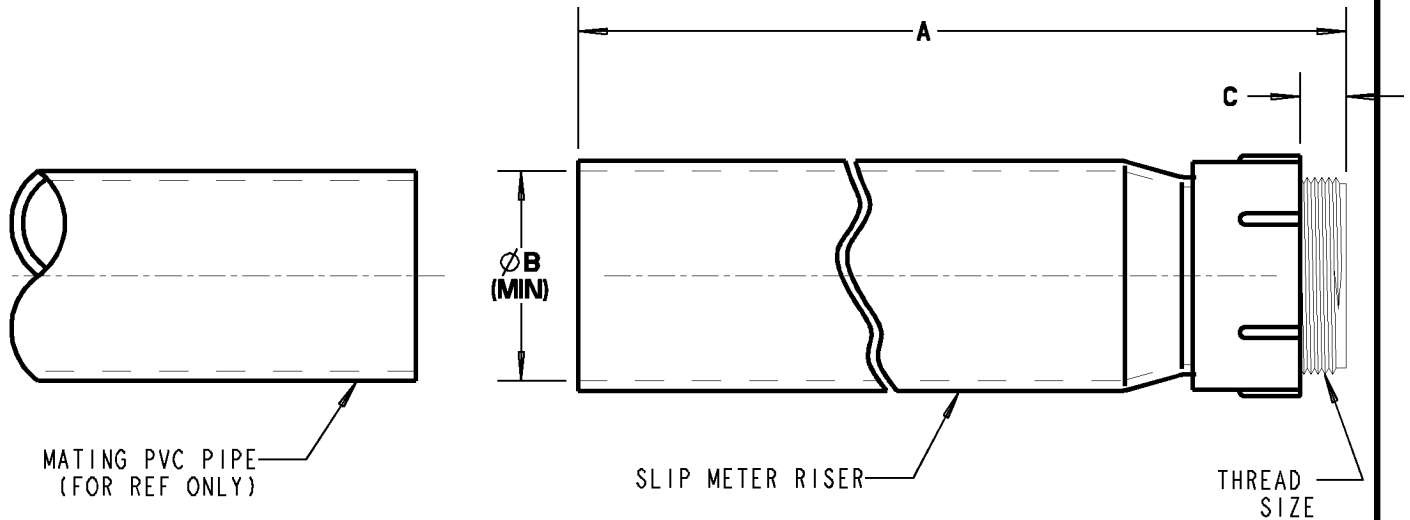


PART NO.	SIZE	A (LENGTH)	B (MINIMUM)	C	THREAD SIZE	MATING PVC PIPE SIZE & TYPE
E954JXX	2"	24.0 [610]	2.492 [63.30]	.83 [20.95]	2" NPT	2" SCH 40 CONDUIT (REF O.D. Ø2.375)
E954JXS	2"	24.0 [610]	2.492 [63.30]	.83 [20.95]	2" NPT	2" SCH 40 CONDUIT (REF O.D. Ø2.375)
E954KXX	2-1/2"	24.0 [610]	2.961 [75.21]	.81 [20.6]	2-1/2" NPSC	2 1/2" SCH 40 CONDUIT (REF O.D. Ø2.875)
E954LXX	3"	24.0 [610]	3.616 [91.85]	.80 [20.24]	3" NPSC	3" SCH 40 CONDUIT (REF O.D. Ø3.500)
E954LXS	3"	24.0 [610]	3.616 [91.85]	.80 [20.24]	3" NPSC	3" SCH 40 CONDUIT (REF O.D. Ø3.500)
E954NXX	4"	24.0 [610]	4.859 [123.42]	.77 [19.6]	4" NPSC	4" SCH 40 CONDUIT (REF O.D. Ø4.500)

NOTES:  
1. P/N'S E954JXS & E954LXS ARE SPLIT AT CENTERLINE.


<b>GENERAL NOTES</b>		 www.tnb.com			
1. ALL DIMENSIONS ARE FOR REFERENCE ONLY. 2. DIMENSIONS IN BRACKETS [ ] ARE IN METRIC UNITS.					
<b>REVISIONS</b>		<b>DESCRIPTION: SLIP METER RISER, CONDUIT</b>			
** SEE ERN ( **** ) FOR APPROVAL SIGNATURES & RELEASE DATE. PROJECT NO: ****		ORIGINAL PROJECT NO / ( ERN NO )	SHEET NO:	REV. NO:	DRAWING NO:
		/ ( )	1 OF 1	D	WSD- AC03046

# Carlton®



PART NO.	SIZE	A (LENGTH)	B (MINIMUM)	C	THREAD SIZE	MATING PVC PIPE SIZE & TYPE
E954JXX	2"	24.0 [610]	2.492 [63.30]	.83 [20.95]	2" NPT	2" SCH 40 CONDUIT (REF O.D. Ø2.375)
E954JXS	2"	24.0 [610]	2.492 [63.30]	.83 [20.95]	2" NPT	2" SCH 40 CONDUIT (REF O.D. Ø2.375)
E954KXX	2-1/2"	24.0 [610]	2.961 [75.21]	.81 [20.6]	2-1/2" NPSC	2 1/2" SCH 40 CONDUIT (REF O.D. Ø2.875)
E954LXX	3"	24.0 [610]	3.616 [91.85]	.80 [20.24]	3" NPSC	3" SCH 40 CONDUIT (REF O.D. Ø3.500)
E954LXS	3"	24.0 [610]	3.616 [91.85]	.80 [20.24]	3" NPSC	3" SCH 40 CONDUIT (REF O.D. Ø3.500)
E954NXX	4"	24.0 [610]	4.859 [123.42]	.77 [19.6]	4" NPSC	4" SCH 40 CONDUIT (REF O.D. Ø4.500)

NOTES:  
1. P/N'S E954JXS & E954LXS ARE SPLIT AT CENTERLINE.

<b>GENERAL NOTES</b>		 www.tnb.com			
1. ALL DIMENSIONS ARE FOR REFERENCE ONLY. 2. DIMENSIONS IN BRACKETS [ ] ARE IN METRIC UNITS.					
<b>REVISIONS</b>		<b>DESCRIPTION: SLIP METER RISER, CONDUIT</b>			
** SEE ERN (****) FOR APPROVAL SIGNATURES & RELEASE DATE. PROJECT NO: ****		ORIGINAL PROJECT NO / ( ERN NO )	SHEET NO:	REV. NO:	DRAWING NO:
		/ ( )	1 OF 1	D	WSD- AC03046