

Straps, clamps and accessories

Non-metallic clamps

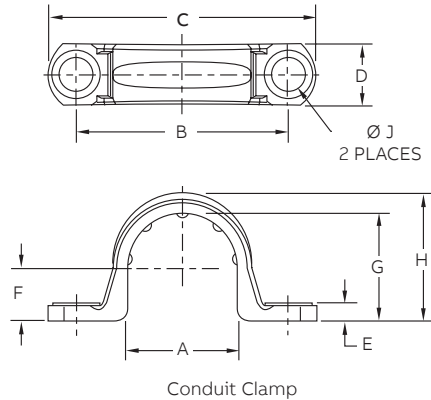


Non-metallic clamps offer the same chemical resistance as Carlon® non-metallic conduits for a complete, corrosion-resistant system.

To be used in accordance with conduit spacing requirements per NEC® Section 352.30 and 12-1114 of the CEC.

- UV inhibited for use in direct sunlight

NEC and National Electrical Code are registered trademarks of the National Fire Protection Association, Inc.



Conduit clamps

Cat. No.	Size in. (mm)	Std. Ctn.	Std. Wt. (lbs.)	Dimensions in. (mm)								
				A	B	C	D	E	F	G	H	J
E977DC	½	100	1.2	0.892	1.71	2.16	.50	.14	.42	.866	1.04	.260
	(16)			(22.6)	(43.4)	(54.8)	(12.7)	(3.5)	(10.6)	(21.9)	(26.4)	(6.6)
E977EC	¾	100	1.4	1.102	1.97	2.40	.50	.14	0.525	1.076	1.255	0.26
	(21)			(27.9)	(50.0)	(60.9)	(12.7)	(3.5)	(13.3)	(27.3)	(31.8)	(6.6)
E977FC	1	100	2	1.39	2.25	2.81	.594	.14	0.658	1.342	1.574	0.26
	(27)			(35.3)	(57.1)	(71.3)	(15.0)	(3.5)	(16.7)	(34.0)	(39.9)	(6.6)
E977GC	1¼	50	5	1.714	2.68	3.28	0.64	.15	0.83	1.687	1.89	.32
	(35)			(43.5)	(68.0)	(83.3)	(16.2)	(3.8)	(21.0)	(42.8)	(48.0)	(8.1)
E977HC	1½	50	6	1.92	2.82	3.44	.70	0.15	0.97	1.93	2.12	.312
	(41)			(48.7)	(71.6)	(87.3)	(17.7)	(3.8)	(24.6)	(49)	(53.8)	(7.9)
E977JC	2	25	4.5	2.54	3.54	4.18	.76	.16	1.05	2.29	2.49	.315
	(53)			(64.5)	(89.9)	(106.1)	(19.3)	(4.0)	(26.6)	(58.1)	(63.2)	(8)
E977KC-CAR	2½	25	1.4	2.86	4.50	5.46	1.00	0.20	1.43	2.86	3.12	.36
	(63)			(72.6)	(114.3)	(138.7)	(25.4)	(5.08)	(36.3)	(72.6)	(79.2)	(9.14)
E977LC-CAR	3	20	1.4	3.47	5.00	6.00	1.00	.20	1.74	3.48	3.70	.36
	(78)			(88.2)	(127.0)	(152.4)	(25.4)	(5.08)	(44.3)	(88.4)	(94.0)	(9.14)
E977NC-CAR	4	15	12.2	4.366	6.15	7.20	1.00	.20	2.32	4.50	4.70	.36
	(103)			(110.9)	(156.2)	(182.9)	(25.4)	(5.08)	(58.8)	(114.3)	(119.4)	(9.14)

Note: Some clamp applications require two screws, two nuts and two washers.

Straps, clamps and accessories

Non-metallic clamps

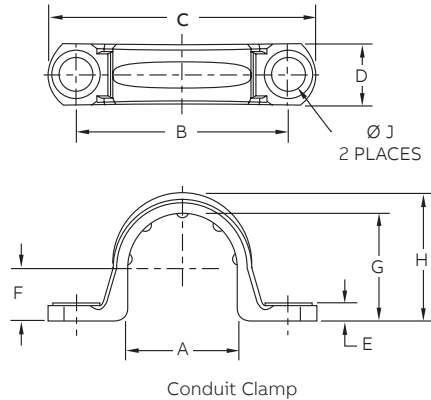


Non-metallic clamps offer the same chemical resistance as Carlon® non-metallic conduits for a complete, corrosion-resistant system.

To be used in accordance with conduit spacing requirements per NEC® Section 352.30 and 12-1114 of the CEC.

- UV inhibited for use in direct sunlight

NEC and National Electrical Code are registered trademarks of the National Fire Protection Association, Inc.



Conduit clamps

Cat. No.	Size in. (mm)	Std. Ctn.	Std. Wt. (lbs.)	Dimensions in. (mm)								
				A	B	C	D	E	F	G	H	J
E977DC	½	100	1.2	0.892	1.71	2.16	.50	.14	.42	.866	1.04	.260
	(16)			(22.6)	(43.4)	(54.8)	(12.7)	(3.5)	(10.6)	(21.9)	(26.4)	(6.6)
E977EC	¾	100	1.4	1.102	1.97	2.40	.50	.14	0.525	1.076	1.255	0.26
	(21)			(27.9)	(50.0)	(60.9)	(12.7)	(3.5)	(13.3)	(27.3)	(31.8)	(6.6)
E977FC	1	100	2	1.39	2.25	2.81	.594	.14	0.658	1.342	1.574	0.26
	(27)			(35.3)	(57.1)	(71.3)	(15.0)	(3.5)	(16.7)	(34.0)	(39.9)	(6.6)
E977GC	1¼	50	5	1.714	2.68	3.28	0.64	.15	0.83	1.687	1.89	.32
	(35)			(43.5)	(68.0)	(83.3)	(16.2)	(3.8)	(21.0)	(42.8)	(48.0)	(8.1)
E977HC	1½	50	6	1.92	2.82	3.44	.70	0.15	0.97	1.93	2.12	.312
	(41)			(48.7)	(71.6)	(87.3)	(17.7)	(3.8)	(24.6)	(49)	(53.8)	(7.9)
E977JC	2	25	4.5	2.54	3.54	4.18	.76	.16	1.05	2.29	2.49	.315
	(53)			(64.5)	(89.9)	(106.1)	(19.3)	(4.0)	(26.6)	(58.1)	(63.2)	(8)
E977KC-CAR	2½	25	1.4	2.86	4.50	5.46	1.00	0.20	1.43	2.86	3.12	.36
	(63)			(72.6)	(114.3)	(138.7)	(25.4)	(5.08)	(36.3)	(72.6)	(79.2)	(9.14)
E977LC-CAR	3	20	1.4	3.47	5.00	6.00	1.00	.20	1.74	3.48	3.70	.36
	(78)			(88.2)	(127.0)	(152.4)	(25.4)	(5.08)	(44.3)	(88.4)	(94.0)	(9.14)
E977NC-CAR	4	15	12.2	4.366	6.15	7.20	1.00	.20	2.32	4.50	4.70	.36
	(103)			(110.9)	(156.2)	(182.9)	(25.4)	(5.08)	(58.8)	(114.3)	(119.4)	(9.14)

Note: Some clamp applications require two screws, two nuts and two washers.