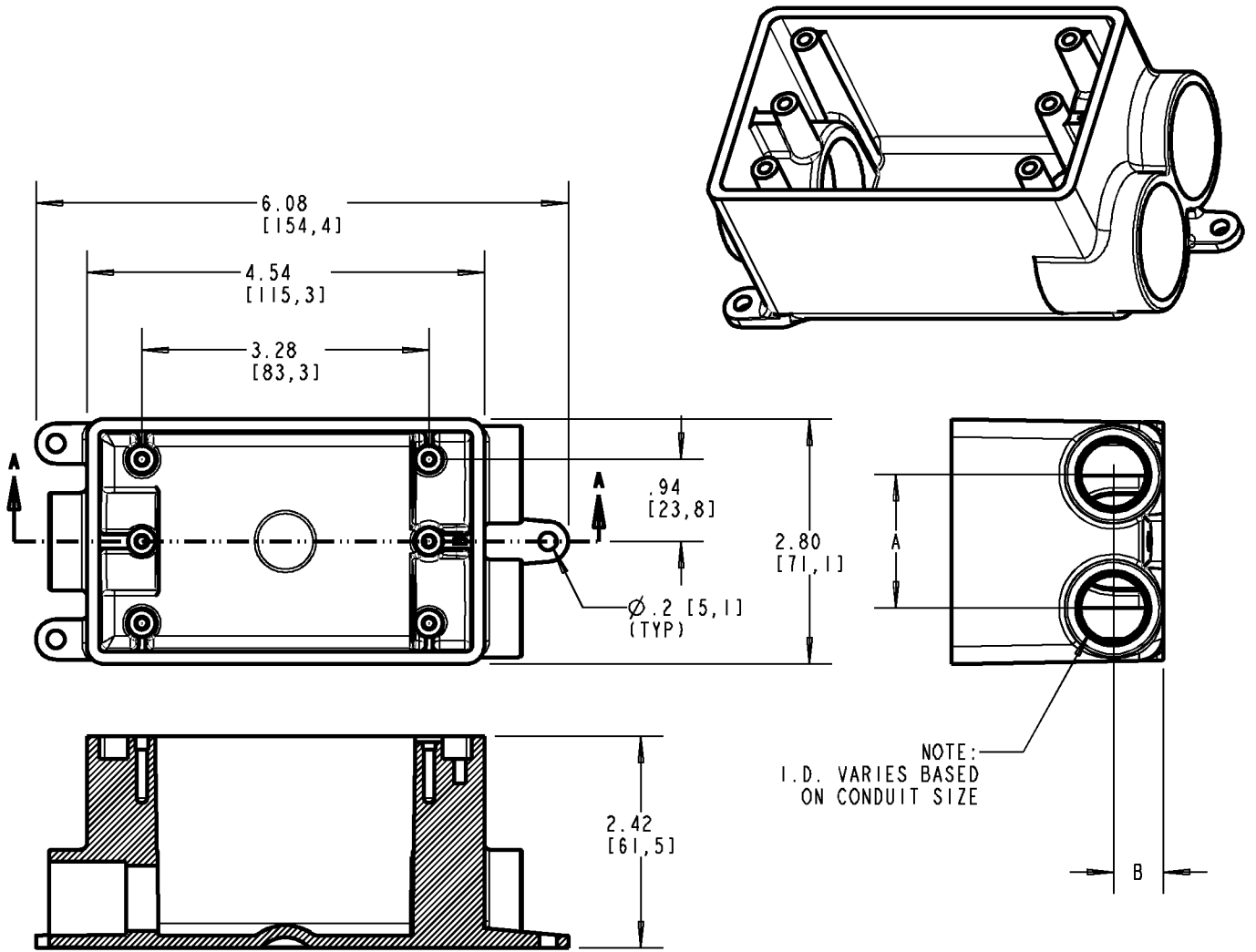


# Carlton



NOTE:  
I.D. VARIES BASED  
ON CONDUIT SIZE

SECTION A-A

PART NO	CONDUIT SIZE INCHES (MM)	VOLUME CU. IN. (ML)	DIM 'A' INCHES (MM)	DIM 'B' INCHES (MM)
E979DFN-CAR E979DFNR E979DFNRL	1/2" (16)	18 (295)	1.53 (38.9)	.568 (14.4)
E979EFN-CAR E979EFN-CTN E979EFNL	3/4" (21)	18 (295)	1.20 (30.6)	.672 (17.1)
E979FFN E979FFN-CTN	1" (27)	18 (295)	1.47 (44.2)	.805 (20.4)

**GENERAL NOTES**

- ALL DIMENSIONS ARE FOR REFERENCE ONLY.
- DIMENSIONS IN BRACKETS [ ] ARE IN METRIC UNITS.

**REVISIONS**

B SEE ERN 2015720 FOR APPROVAL SIGNATURES & RELEASE DATE.  
PROJECT NO: 5AM000012

www.tnb.com

**Thomas & Betts**

A Member of the ABB Group

DESCRIPTION: **FS BOXES 1/2", 3/4" & 1" DUAL PORTS**

ORIGINAL PROJECT NO / ( ERN NO )

/ ( )

SHEET NO:

1 OF 1

REV. NO:

B

DRAWING NO:

WSD-AC02251