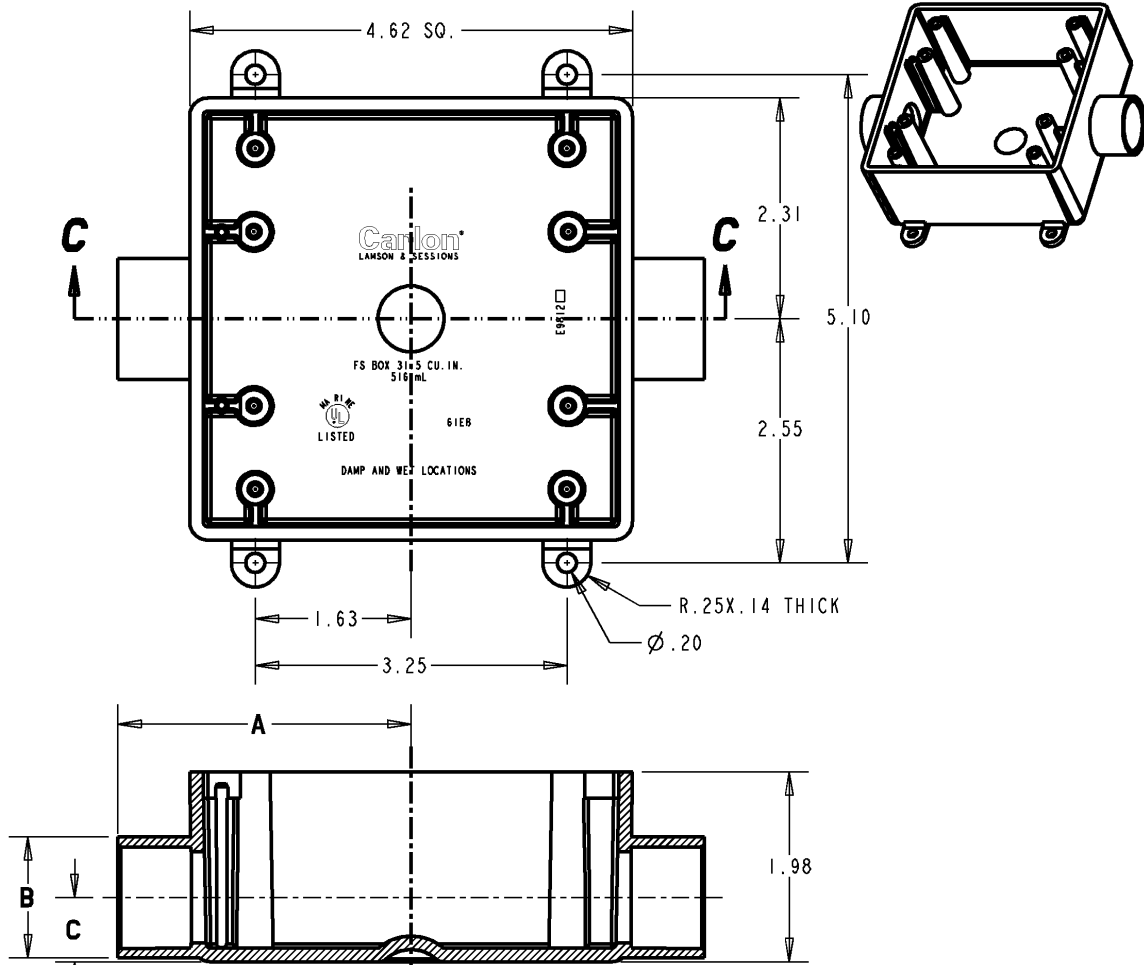


Carlton



SECTION C-C

E9812F E9812F-CTN E9812FL	1"	3.22	1.535	.805
E9812E E9812E-CTN E9812EL	3/4"	3.06	1.265	.672
E9812D E9812DR E9812DRL	1/2"	2.99	1.05	.566
PART NO.	PORT SIZE	A	B	C

GENERAL NOTES

1. ALL DIMENSIONS ARE FOR REFERENCE ONLY.
2. DIMENSIONS IN BRACKETS [] ARE IN METRIC UNITS.

REVISIONS

** SEE ERN (****) FOR APPROVAL SIGNATURES & RELEASE DATE.
PROJECT NO: ****

Thomas & Betts
www.tnb.com

DESCRIPTION: **FS BOX - 2 GANG - 2 PORTS**

ORIGINAL PROJECT NO / (ERN NO)

SHEET NO:

REV. NO:

DRAWING NO:

[]

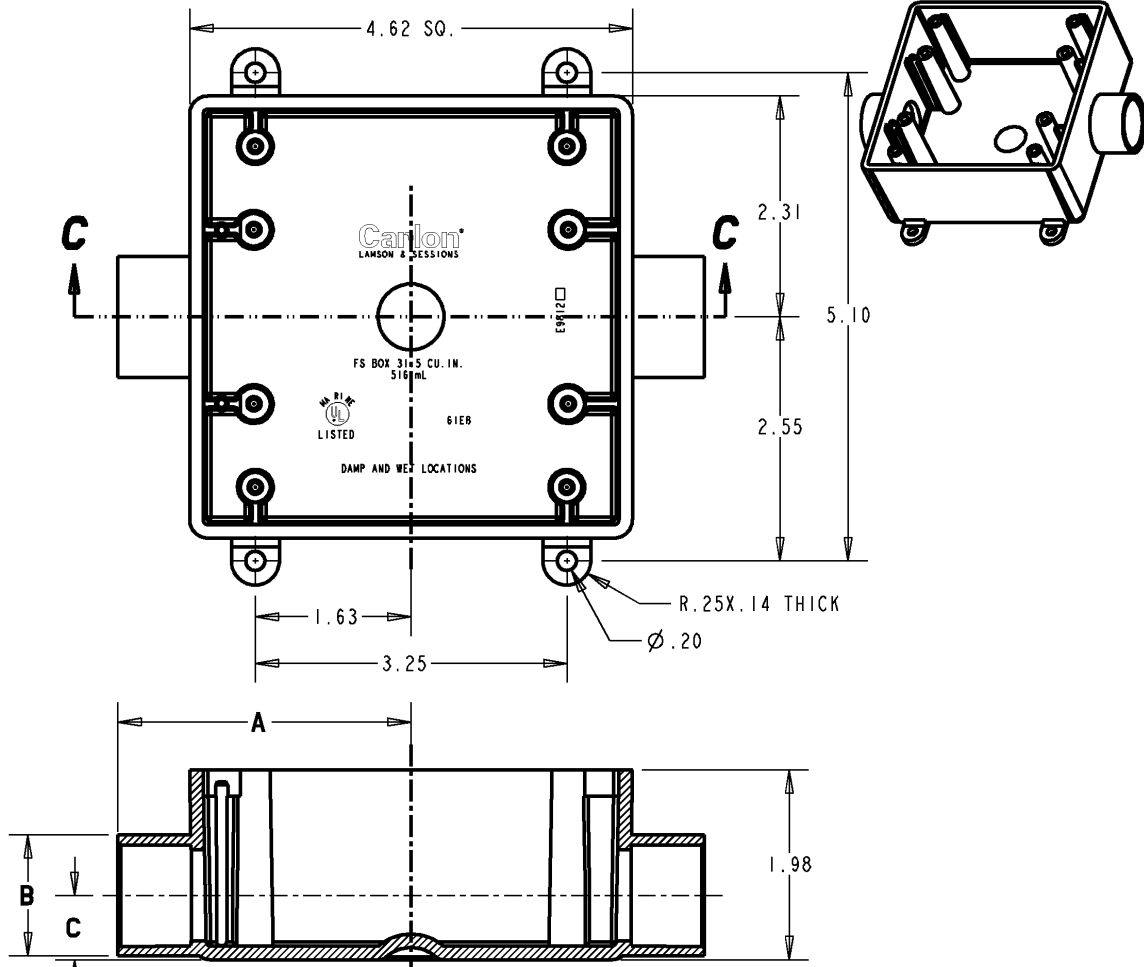
1 OF 1

A

WSD-AC03677

THIS DRAWING IS INTENDED FOR DESCRIPTIVE PURPOSES ONLY. AND THE RIGHT IS RESERVED TO DEVIATE FROM ANY OF THE DETAILS SHOWN HEREON.
©2008 Thomas & Betts - Proprietary. All Rights Reserved

Carlton



SECTION C-C

E9812F E9812F-CTN E9812FL	1"	3.22	1.535	.805
E9812E E9812E-CTN E9812EL	3/4"	3.06	1.265	.672
E9812D E9812DR E9812DRL	1/2"	2.99	1.05	.566
PART NO.	PORT SIZE	A	B	C

GENERAL NOTES

- ALL DIMENSIONS ARE FOR REFERENCE ONLY.
- DIMENSIONS IN BRACKETS [] ARE IN METRIC UNITS.

REVISIONS

** SEE ERN (****) FOR APPROVAL SIGNATURES & RELEASE DATE.
PROJECT NO: ****

Thomas & Betts
www.tnb.com

DESCRIPTION: FS BOX - 2 GANG - 2 PORTS

ORIGINAL PROJECT NO / (ERN NO)	SHEET NO:	REV. NO:	DRAWING NO:
/ []	1 OF 1	A	WSD-AC03677

THIS DRAWING IS INTENDED FOR DESCRIPTIVE PURPOSES ONLY. AND THE RIGHT IS RESERVED TO DEVIATE FROM ANY OF THE DETAILS SHOWN HEREON.
©2008 Thomas & Betts - Proprietary. All Rights Reserved