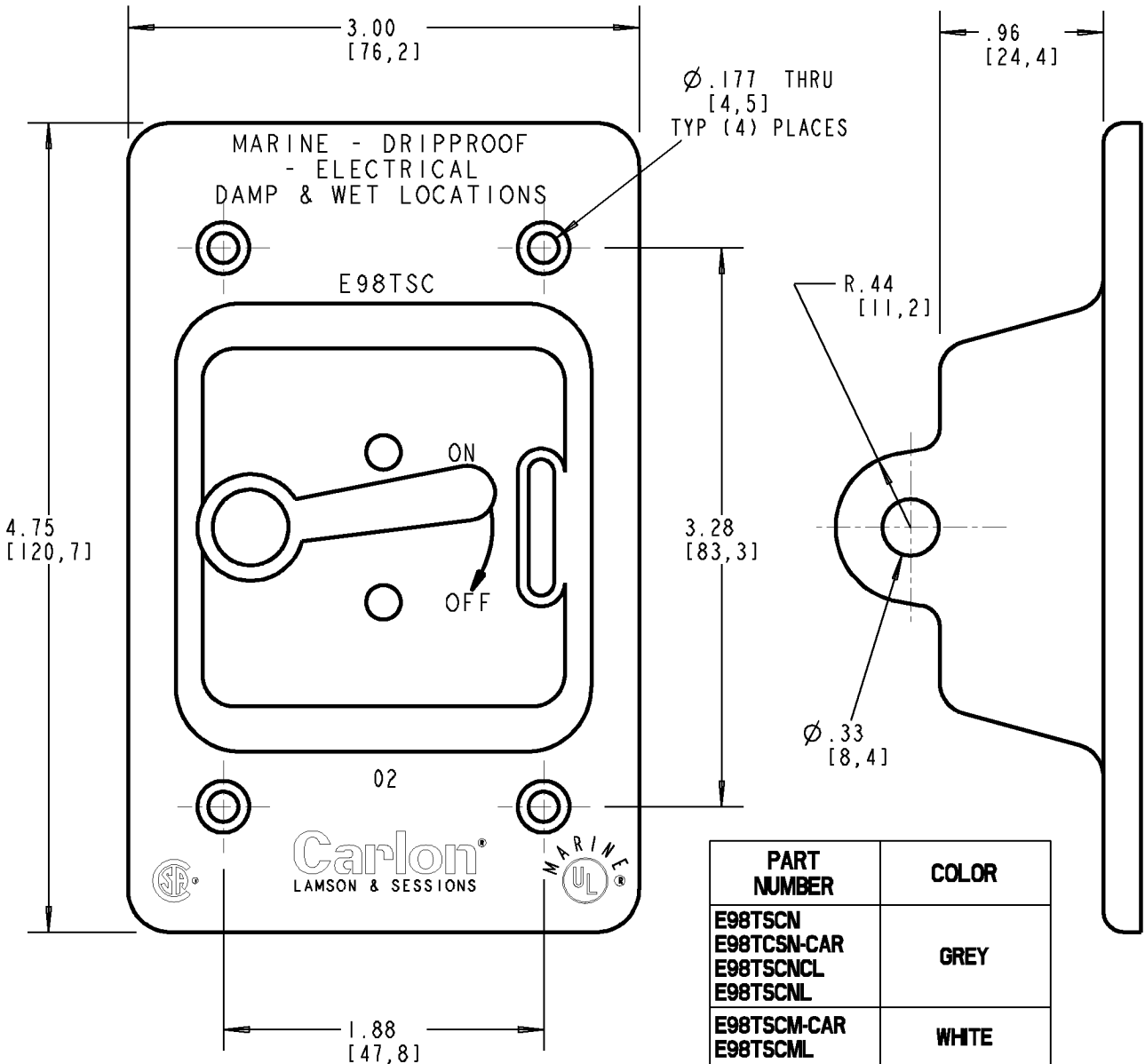


Carlton



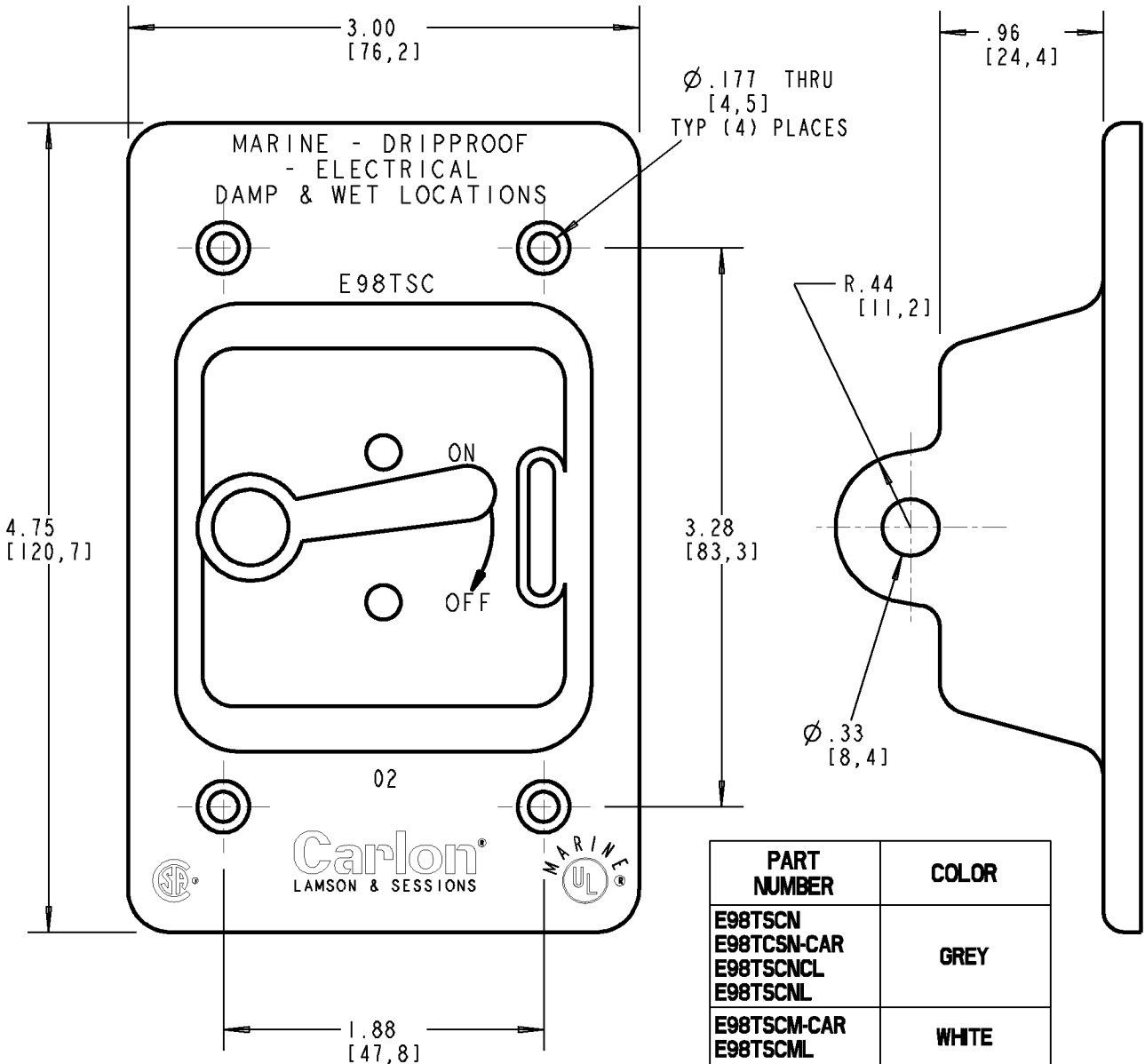
PART NUMBER	COLOR
E98TSCN E98TSCN-CAR E98TSCNCL E98TSCNL	GREY
E98TSCM-CAR E98TSCML	WHITE

NOTE:
GASKET AND MOUNTING SCREWS INCLUDED

GENERAL NOTES
1. ALL DIMENSIONS ARE FOR REFERENCE ONLY.
2. DIMENSIONS IN BRACKETS [] ARE IN METRIC UNITS.
REVISIONS
*** SEE ERN (****) FOR APPROVAL SIGNATURES & RELEASE DATE. PROJECT NO: ****


Thomas & Betts <small>www.tnb.com</small>			
DESCRIPTION: SINGLE GANG TOGGLE COVER WEATHERPROOF			
ORIGINAL PROJECT NO / (ERN NO)	SHEET NO:	REV. NO:	DRAWING NO:
/ ()	1 OF 1	D	WSD-AC02732

Carlton®



PART NUMBER	COLOR
E98TSCN E98TSCN-CAR E98TSCNCL E98TSCNL	GREY
E98TSCM-CAR E98TSCML	WHITE

NOTE:
GASKET AND MOUNTING SCREWS INCLUDED

GENERAL NOTES		 www.tnb.com			
1. ALL DIMENSIONS ARE FOR REFERENCE ONLY. 2. DIMENSIONS IN BRACKETS [] ARE IN METRIC UNITS.					
REVISIONS		DESCRIPTION: SINGLE GANG TOGGLE COVER WEATHERPROOF			
*** SEE ERN (****) FOR APPROVAL SIGNATURES & RELEASE DATE. PROJECT NO: ****		ORIGINAL PROJECT NO / (ERN NO)	SHEET NO:	REV. NO:	DRAWING NO:
		/ ()	1 OF 1	D	WSD-AC02732