

AMERICAN FITTINGS

EMT Fittings Alloy Steel Made in the USA Connectors & Couplings Compression



Since 1946

SPEC-grade™

UL Rated Concrete Tight When Taped
Size Range: 1/2" - 4" Alloy Steel
EC Series Connectors & Couplings Compression
 UL Rated Concrete Tight When Taped
 Rain Tight Available See EC RT Series
 Connectors Furnished with:
 Industrial Grade Steel Locknut Furnished

Available:
 Solid Alloy Steel Construction, Precision Machined
 EC Series: Compression Feature:
AMFICO EZTorque Compression Nut
 Zinc Plated, Chromate Finish - Colors available
 Insulated Throat Bushing Option Available on Connectors*



2 1/2" through 4" features AMFICO's Compact Low Profile Design

EZ Torque™
 Compression Nuts

EMT AMFICO SPEC-grade™ Connectors & Couplings Compression

| Cat # | Trade Size" | Description | Box Qty. | Carton Qty | NAED UPC |
|---------|-------------|-------------------------------------|----------|------------|-------------|
| EC750US | 1/2 | EMT Steel Compression Connector USA | 50 | 250 | 66236401770 |
| EC751US | 3/4 | EMT Steel Compression Connector USA | 25 | 250 | 66236401771 |
| EC752US | 1 | EMT Steel Compression Connector USA | 20 | 100 | 66236401772 |
| EC753US | 1 1/4 | EMT Steel Compression Connector USA | 5 | 50 | 66236401773 |
| EC754US | 1 1/2 | EMT Steel Compression Connector USA | 5 | 25 | 66236401774 |
| EC755US | 2 | EMT Steel Compression Connector USA | 5 | 25 | 66236401775 |
| EC756US | 2 1/2 | EMT Steel Compression Connector USA | - | 5 | 66236401776 |
| EC757US | 3 | EMT Steel Compression Connector USA | - | 3 | 66236401777 |
| EC758US | 3 1/2 | EMT Steel Compression Connector USA | - | 3 | 66236401778 |
| EC759US | 4 | EMT Steel Compression Connector USA | - | 2 | 66236401779 |
| EC760US | 1/2 | EMT Steel Compression Coupling USA | 50 | 250 | 66236401780 |
| EC761US | 3/4 | EMT Steel Compression Coupling USA | 25 | 125 | 66236401781 |
| EC762US | 1 | EMT Steel Compression Coupling USA | 20 | 100 | 66236401782 |
| EC763US | 1 1/4 | EMT Steel Compression Coupling USA | 5 | 50 | 66236401783 |
| EC764US | 1 1/2 | EMT Steel Compression Coupling USA | 5 | 25 | 66236401784 |
| EC765US | 2 | EMT Steel Compression Coupling USA | 5 | 25 | 66236401785 |
| EC766US | 2 1/2 | EMT Steel Compression Coupling USA | - | 5 | 66236401786 |
| EC767US | 3 | EMT Steel Compression Coupling USA | - | 3 | 66236401787 |
| EC768US | 3 1/2 | EMT Steel Compression Coupling USA | - | 2 | 66236401788 |
| EC769US | 4 | EMT Steel Compression Coupling USA | - | 2 | 66236401789 |

Options

* Insulated Throat Bushings Rated 105° on Connectors Available:
 Add suffix "B" to above cat #'s:i.e. ECXXXXB
 Color Coded Fittings Available Consult Factory for Details

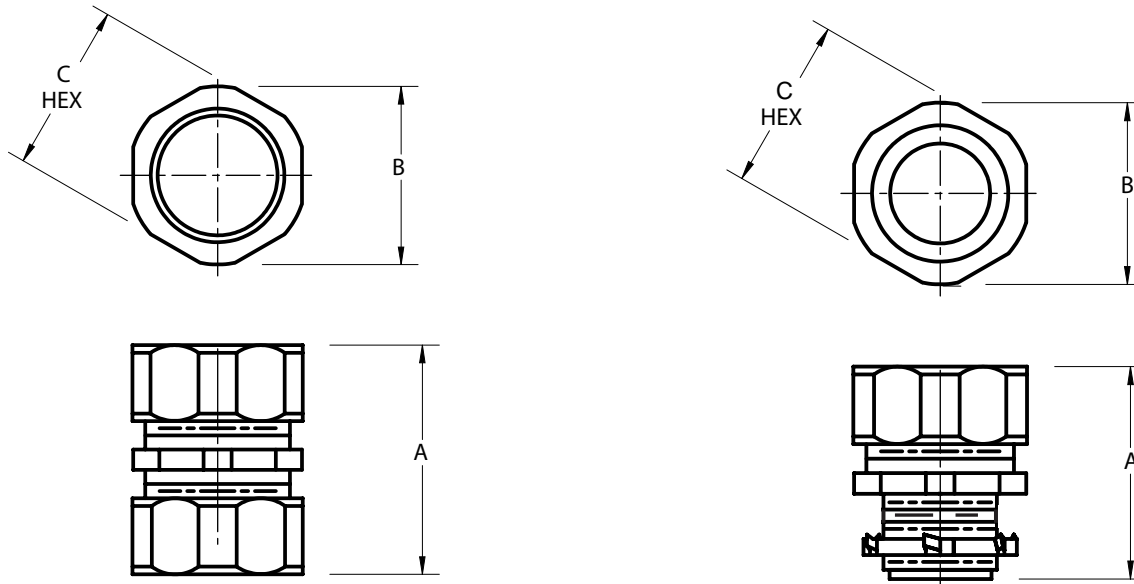
AMERICAN FITTINGS

EMT Fittings Alloy Steel Made in the USA
Connectors & Couplings Compression



Since 1946

EMT AMFICO SPEC-grade™ Connectors & Couplings Compression



1/2 the Size and Weight of All Die Cast, Malleable Iron or Off Shore Steel Fittings, TWICE the Strength & Corrosion Resistance

DIMENSION TABLE

Connectors

Couplings

| Cat# | Trade Size | "A" | "B" | "C" | Wt./c | Cat# | Trade Size | "A" | "B" | "C" | Wt./c |
|---------|------------|----------|----------|----------|-------|---------|------------|----------|----------|----------|-------|
| EC750US | 1/2" | 1-1/8" | 1" | 15/16" | 8 | EC760US | 1/2" | 1-3/8" | 1" | 15/16" | 8 |
| EC751US | 3/4" | 1-3/16" | 1-7/32" | 1-3/16" | 12 | EC761US | 3/4" | 1-7/16" | 1-7/32" | 1-3/16" | 13 |
| EC752US | 1" | 1-5/16" | 1-1/2" | 1-7/16" | 19 | EC762US | 1" | 1-17/32" | 1-1/2" | 1-7/16" | 19 |
| EC753US | 1-1/4" | 1-9/16" | 1-7/8" | 1-13/16" | 30 | EC763US | 1-1/4" | 1-27/32" | 1-7/8" | 1-13/16" | 30 |
| EC754US | 1-1/2" | 1-11/16" | 2-5/32" | 2-1/16" | 46 | EC764US | 1-1/2" | 2-1/16" | 2-5/32" | 2-1/16" | 46 |
| EC755US | 2" | 1-7/8" | 2-7/8" | 2-9/16" | 55 | EC765US | 2" | 2-1/4" | 2-7/8" | 2-9/16" | 60 |
| EC756US | 2-1/2" | 3-1/8" | 3-13/32" | 3-1/4" | 120 | EC766US | 2-1/2" | 3-5/8" | 3-13/32" | 3-1/4" | 133 |
| EC757US | 3" | 3-1/16" | 4" | 3-29/32" | 165 | EC767US | 3" | 3-11/16" | 4" | 3-29/32" | 171 |
| EC758US | 3-1/2" | 3-1/16" | 4-9/16" | 4-13/32" | 201 | EC768US | 3-1/2" | 3-19/32" | 4-9/16" | 4-13/32" | 205 |
| EC759US | 4" | 3-1/16" | 5-3/32" | 4-29/32" | 237 | EC769US | 4" | 3-5/8" | 5-3/32" | 4-29/32" | 238 |

Compliances:

Certified Made in the USA

UL 514B

NEMA Standard FB1

Certified for MIL-STD 810 Sinusoidal Vibrations

Federal Standard A-A-50553

UL Standards: 514B, 467

CSA Standard: C22.2 No. 18F

RoHS Compliant



- No need to disassemble AMFICO fittings prior to installation. AMFICO EMT Compression Fittings are designed so that when they come out of the carton they can be installed.

- No need for special tools to properly install AMFICO EMT fittings. AMFICO's fittings feature our EZ Torque Compression nuts with true precision machined cut steel threads, fit tight, right everytime.

AMERICAN FITTINGS

EMT Fittings Alloy Steel Made in the USA

Connectors & Couplings Compression



Since 1946

SPEC-grade™

UL Rated Concrete Tight When Taped
Size Range: 1/2" - 4" Alloy Steel
EC Series Connectors & Couplings Compression
 UL Rated Concrete Tight When Taped
 Rain Tight Available See EC RT Series
 Connectors Furnished with:
 Industrial Grade Steel Locknut Furnished

Available:
 Solid Alloy Steel Construction, Precision Machined
 EC Series: Compression Feature:
AMFICO EZTorque Compression Nut
 Zinc Plated, Chromate Finish - Colors available
 Insulated Throat Bushing Option Available on Connectors*



2 1/2" through 4" features AMFICO's Compact Low Profile Design

EZ Torque™
 Compression Nuts

EMT AMFICO SPEC-grade™ Connectors & Couplings Compression

| Cat # | Trade Size" | Description | Box Qty. | Carton Qty | NAED UPC |
|---------|-------------|-------------------------------------|----------|------------|-------------|
| EC750US | 1/2 | EMT Steel Compression Connector USA | 50 | 250 | 66236401770 |
| EC751US | 3/4 | EMT Steel Compression Connector USA | 25 | 250 | 66236401771 |
| EC752US | 1 | EMT Steel Compression Connector USA | 20 | 100 | 66236401772 |
| EC753US | 1 1/4 | EMT Steel Compression Connector USA | 5 | 50 | 66236401773 |
| EC754US | 1 1/2 | EMT Steel Compression Connector USA | 5 | 25 | 66236401774 |
| EC755US | 2 | EMT Steel Compression Connector USA | 5 | 25 | 66236401775 |
| EC756US | 2 1/2 | EMT Steel Compression Connector USA | - | 5 | 66236401776 |
| EC757US | 3 | EMT Steel Compression Connector USA | - | 3 | 66236401777 |
| EC758US | 3 1/2 | EMT Steel Compression Connector USA | - | 3 | 66236401778 |
| EC759US | 4 | EMT Steel Compression Connector USA | - | 2 | 66236401779 |
| EC760US | 1/2 | EMT Steel Compression Coupling USA | 50 | 250 | 66236401780 |
| EC761US | 3/4 | EMT Steel Compression Coupling USA | 25 | 125 | 66236401781 |
| EC762US | 1 | EMT Steel Compression Coupling USA | 20 | 100 | 66236401782 |
| EC763US | 1 1/4 | EMT Steel Compression Coupling USA | 5 | 50 | 66236401783 |
| EC764US | 1 1/2 | EMT Steel Compression Coupling USA | 5 | 25 | 66236401784 |
| EC765US | 2 | EMT Steel Compression Coupling USA | 5 | 25 | 66236401785 |
| EC766US | 2 1/2 | EMT Steel Compression Coupling USA | - | 5 | 66236401786 |
| EC767US | 3 | EMT Steel Compression Coupling USA | - | 3 | 66236401787 |
| EC768US | 3 1/2 | EMT Steel Compression Coupling USA | - | 2 | 66236401788 |
| EC769US | 4 | EMT Steel Compression Coupling USA | - | 2 | 66236401789 |

Options

* Insulated Throat Bushings Rated 105° on Connectors Available:
 Add suffix "B" to above cat #'s:i.e. ECXXXXB
 Color Coded Fittings Available Consult Factory for Details

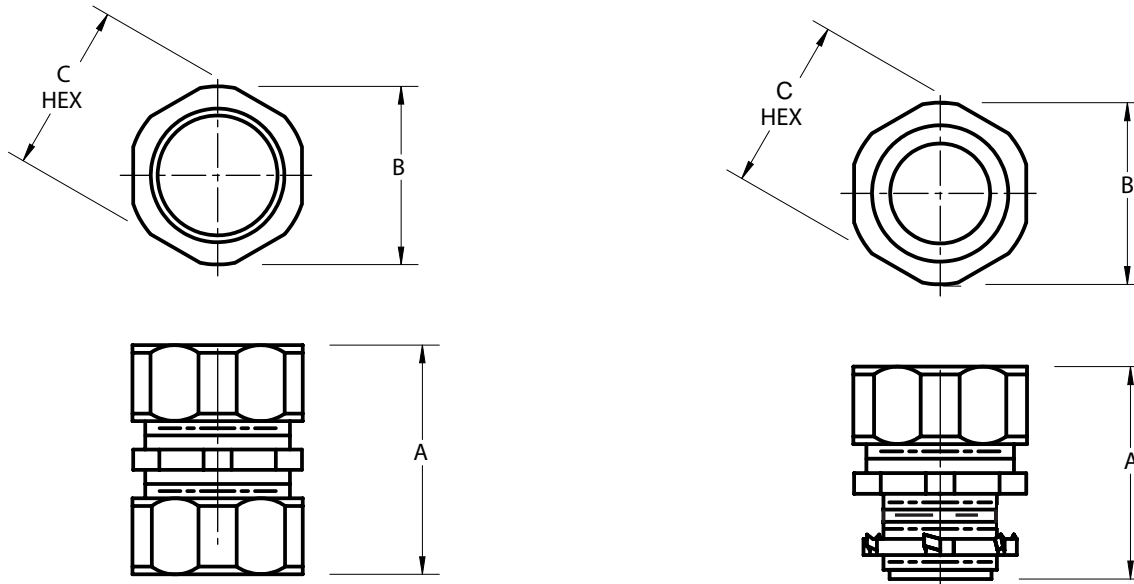
AMERICAN FITTINGS

EMT Fittings Alloy Steel Made in the USA
Connectors & Couplings Compression



Since 1946

EMT AMFICO SPEC-grade™ Connectors & Couplings Compression



1/2 the Size and Weight of All Die Cast, Malleable Iron or Off Shore Steel Fittings, TWICE the Strength & Corrosion Resistance

DIMENSION TABLE

Connectors

Couplings

| Cat# | Trade Size | "A" | "B" | "C" | Wt./c | Cat# | Trade Size | "A" | "B" | "C" | Wt./c |
|---------|------------|----------|----------|----------|-------|---------|------------|----------|----------|----------|-------|
| EC750US | 1/2" | 1-1/8" | 1" | 15/16" | 8 | EC760US | 1/2" | 1-3/8" | 1" | 15/16" | 8 |
| EC751US | 3/4" | 1-3/16" | 1-7/32" | 1-3/16" | 12 | EC761US | 3/4" | 1-7/16" | 1-7/32" | 1-3/16" | 13 |
| EC752US | 1" | 1-5/16" | 1-1/2" | 1-7/16" | 19 | EC762US | 1" | 1-17/32" | 1-1/2" | 1-7/16" | 19 |
| EC753US | 1-1/4" | 1-9/16" | 1-7/8" | 1-13/16" | 30 | EC763US | 1-1/4" | 1-27/32" | 1-7/8" | 1-13/16" | 30 |
| EC754US | 1-1/2" | 1-11/16" | 2-5/32" | 2-1/16" | 46 | EC764US | 1-1/2" | 2-1/16" | 2-5/32" | 2-1/16" | 46 |
| EC755US | 2" | 1-7/8" | 2-7/8" | 2-9/16" | 55 | EC765US | 2" | 2-1/4" | 2-7/8" | 2-9/16" | 60 |
| EC756US | 2-1/2" | 3-1/8" | 3-13/32" | 3-1/4" | 120 | EC766US | 2-1/2" | 3-5/8" | 3-13/32" | 3-1/4" | 133 |
| EC757US | 3" | 3-1/16" | 4" | 3-29/32" | 165 | EC767US | 3" | 3-11/16" | 4" | 3-29/32" | 171 |
| EC758US | 3-1/2" | 3-1/16" | 4-9/16" | 4-13/32" | 201 | EC768US | 3-1/2" | 3-19/32" | 4-9/16" | 4-13/32" | 205 |
| EC759US | 4" | 3-1/16" | 5-3/32" | 4-29/32" | 237 | EC769US | 4" | 3-5/8" | 5-3/32" | 4-29/32" | 238 |

Compliances:

Certified Made in the USA

UL 514B

NEMA Standard FB1

Certified for MIL-STD 810 Sinusoidal Vibrations

Federal Standard A-A-50553

UL Standards: 514B, 467

CSA Standard: C22.2 No. 18F

RoHS Compliant



- No need to disassemble AMFICO fittings prior to installation. AMFICO EMT Compression Fittings are designed so that when they come out of the carton they can be installed.

- No need for special tools to properly install AMFICO EMT fittings. AMFICO's fittings feature our EZ Torque Compression nuts with true precision machined cut steel threads, fit tight, right everytime.