



# KT-EMRG-LED-5-500

## CONSTANT WATTAGE LED EMERGENCY BACK-UP



### DESCRIPTION

LED Emergency Back-Up Driver | 5W Output | 120-277V Input

<b>DRIVER TYPE:</b> Constant Wattage LED Emergency
<b>MAX. OUTPUT POWER:</b> 5W
<b>INPUT VOLTAGE:</b> 120-277Vac $\pm$ 10%
<b>OUTPUT VOLTAGE:</b> 12~41 Vdc
<b>OUTPUT CURRENT:</b> 400mA-100mA
<b>WARRANTY:</b> 5 Years



### PRODUCT FEATURES

- Drives LED Loads at 5W (Nominal) for a Minimum of 90 Minutes
- Meets FCC Part 15 (Class B) Consumer Limits
- Short Circuit Overload and Open Load Protection
- Type 1 Outdoor, Suitable for Dry and Damp Locations
- Evaluated to UL 924 Standards
- Operating Temperature: 32°F/0°C to 122°F/50°C
- Input Frequency: 50/60 Hz
- Test Switch/ Charging Indicator Light
- Battery Pack with Quick Connect; NiCd or NiMH
- Battery Capacity: 1200mAh

*Emergency Pack does not meet CEC T20 requirements. Not to be sold or offered for sale in California, except when sold wholesale in California for final retail sale outside the state.*

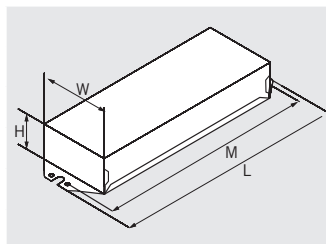
### ELECTRICAL SPECIFICATIONS

Family	INPUT CHARACTERISTICS			OUTPUT CHARACTERISTICS		
	Input Voltage	Power Factor	Max. Current	Max. Output Power	Rated Output Current	Output Voltage
5W	120-277Vac	$\geq$ 0.5	0.03A @ 120V	5W	400mA-100mA	12~41Vdc

Emergency pack designed to deliver 5W to a constant current LED load. Approximate output is 500 lumens assuming a nominal minimum efficacy of 100lm/W.

### MECHANICAL SPECIFICATIONS

#### CASE DIMENSIONS



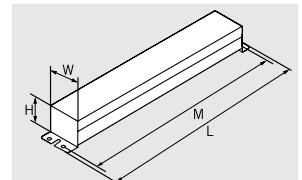
<b>LENGTH</b>	6.46"
<b>WIDTH</b>	1.37"
<b>HEIGHT</b>	1.00"
<b>MOUNTING</b>	6.00"
<b>CASE STYLE</b>	L7
<b>CASE MATERIAL</b>	METAL

#### STANDARD LEAD LENGTHS\*

<b>WHITE</b>	12"
<b>BLACK</b>	12"
<b>WHITE/BLACK</b>	12"
<b>RED</b>	24"
<b>BLUE</b>	24"
<b>BROWN</b>	24"

\*Consult Keystone for special lead length requirements.  
Lead wires are 18 AWG 105°C/600V.

#### BATTERY SIZE



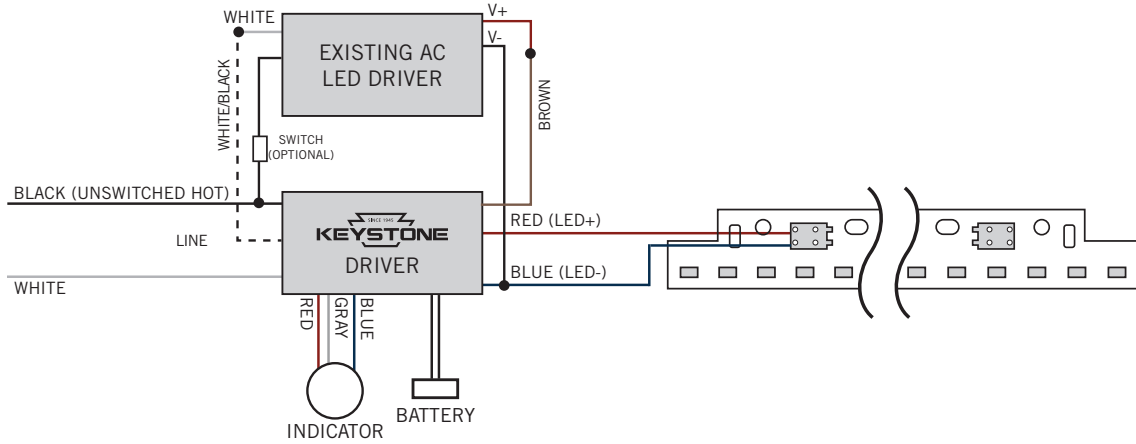
<b>LENGTH</b>	8.10"
<b>WIDTH</b>	1.97"
<b>HEIGHT</b>	0.98"
<b>MOUNTING</b>	7.57"



# KT-EMRG-LED-5-500

## CONSTANT WATTAGE LED EMERGENCY BACK-UP

### WIRING DIAGRAM



### ORDERING INFORMATION

ORDER CODE	DESCRIPTION	PACKAGING STYLE	PACK QTY.	ITEM STATUS
KT-EMRG-LED-5-500-IP	LED Emergency Driver with Battery	Individually Packaged	1	Active

### CATALOG NUMBER BREAKDOWN

# KT-EMRG-LED-5-500

- 1
- 2
- 3
- 4
- 5

- 1** Keystone Technologies
- 2** Emergency Back-up Driver
- 3** LED Driver
- 4** Wattage Family
- 5** Nominal Lumen Output