



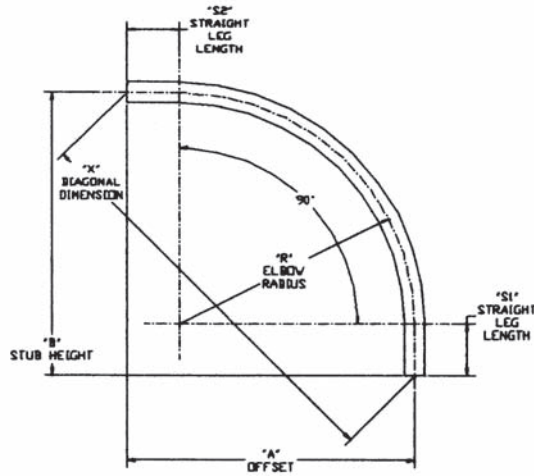
EMT STANDARD AND SPECIAL RADIUS ELBOWS

EMT STANDARD RADIUS ELBOWS

| CATALOG NUMBER | DESCRIPTION | WEIGHT PER 100 PIECES (lbs) | STANDARD CARTON |
|----------------|--------------------|-----------------------------|-----------------|
| EMTELB1/2X90 | 1/2X90 EMT ELBOW | 28 | 50 |
| EMTELB3/4X90 | 3/4X90 EMT ELBOW | 46 | 50 |
| EMTELB1X90 | 1X 90 EMT ELBOW | 86 | 25 |
| EMTELB1-1/4X90 | 1 1/4X90 EMT ELBOW | 148 | 25 |
| EMTELB1-1/2X90 | 1 1/2X90 EMT ELBOW | 198 | 15 |
| EMTELB2X90 | 2X90 EMT ELBOW | 286 | 10 |
| EMTELB2-1/2X90 | 2 1/2X90 EMT ELBOW | 536 | BLK |
| EMTELB3X90 | 3X90 EMT ELBOW | 720 | BLK |
| EMTELB3-1/2X90 | 3 1/2X90 EMT ELBOW | 1080 | BLK |
| EMTELB4X90 | 4X90 EMT ELBOW | 1333 | BLK |
| EMTELB1/2X45 | 1/2X45 EMT ELBOW | 24 | 50 |
| EMTELB3/4X45 | 3/4X45 EMT ELBOW | 39 | 50 |
| EMTELB1X45 | 1X 45 EMT ELBOW | 73 | 25 |
| EMTELB1-1/4X45 | 1 1/4X45 EMT ELBOW | 126 | 25 |
| EMTELB1-1/2X45 | 1 1/2X45 EMT ELBOW | 168 | 15 |
| EMTELB2X45 | 2X45 EMT ELBOW | 243 | 10 |
| EMTELB2-1/2X45 | 2 1/2X45 EMT ELBOW | 456 | BLK |
| EMTELB3X45 | 3X45 EMT ELBOW | 612 | BLK |
| EMTELB3-1/2X45 | 3 1/2X45 EMT ELBOW | 918 | BLK |
| EMTELB4X45 | 4X45 EMT ELBOW | 1133 | BLK |

NOTE: Weights shown are approximate for 90° elbows. To arrive at weights for 45° elbows deduct 15%.
 Sizes 2-1/2 " and larger shipped in palletized cartons or bulk, with ECN-Korns identifying label.

EMT STANDARD RADIUS ELBOWS



STANDARD RADIUS ELBOWS • EMT

| Radius (in.) | 4 | 4 1/2 | 5 3/4 | 7 1/4 | 8 1/4 | 9 1/2 | 10 1/2 | 13 | 15 | 16 | |
|---------------|-----------------|---------|---------|---------|--------|----------|----------|----------|----------|----------|----------|
| Degree | Size | 1/2 | 3/4 | 1 | 1 1/4 | 1 1/2 | 2 | 2 1/2 | 3 | 3 1/2 | 4 |
| 11 1/4 | Leg Length | 2 | 2 | 2 | 2 3/4 | 3 | 4 1/4 | 5 1/4 | 5 7/8 | 6 3/4 | 7 |
| | Unbent Length | 4 13/16 | 4 7/8 | 5 1/8 | 6 7/8 | 8 1/4 | 10 3/8 | 12 9/16 | 14 3/16 | 16 3/8 | 17 |
| | Diagonal | 4 3/4 | 4 7/8 | 5 1/8 | 6 7/8 | 8 1/4 | 10 3/8 | 12 1/2 | 14 1/4 | 16 1/4 | 16 15/16 |
| | "A" Offset | 1/2 | 1/2 | 1/2 | 11/16 | 3/4 | 1 | 1 1/4 | 1 3/8 | 1 1/2 | 1 3/4 |
| | "B" Stub Height | 4 3/4 | 4 13/16 | 5 | 6 7/8 | 8 3/16 | 10 1/2 | 12 1/2 | 14 1/16 | 16 1/4 | 17 |
| 15 | Leg Length | 2 | 2 | 2 | 2 3/4 | 3 1/4 | 4 5/16 | 5 1/4 | 5 7/8 | 6 3/4 | 7 |
| | Unbent Length | 5 1/16 | 5 3/16 | 5 1/2 | 7 1/4 | 8 5/8 | 11 1/16 | 13 11/32 | 15 1/8 | 17 15/32 | 18 5/32 |
| | Diagonal | 5 | 5 1/8 | 5 | 7 1/4 | 8 5/8 | 11 | 13 1/4 | 15 | 17 5/16 | 18 |
| | "A" Offset | 5/8 | 11/16 | 11/16 | 1 | 1 1/8 | 1 1/2 | 1 3/4 | 2 | 2 1/4 | 2 3/8 |
| | "B" Stub Height | 5 | 5 1/8 | 5 3/8 | 7 1/8 | 8 1/2 | 10 7/8 | 13 1/8 | 15 | 17 1/4 | 17 7/8 |
| 22 1/2 | Leg Length | 2 | 2 1/16 | 2 | 2 3/4 | 3 | 4 1/4 | 5 1/4 | 5 7/8 | 6 3/4 | 7 |
| | Unbent Length | 5 21/32 | 5 27/32 | 6 11/32 | 8 5/16 | 9 27/32 | 12 5/16 | 14 23/32 | 16 13/16 | 19 13/32 | 20 1/4 |
| | Diagonal | 6 | 5 3/4 | 6 1/4 | 8 1/4 | 9 3/4 | 12 1/8 | 14 1/2 | 16 1/2 | 19 1/8 | 19 15/16 |
| | "A" Offset | 1 1/8 | 1 | 1 | 1 5/8 | 2 | 2 3/8 | 2 3/4 | 3 1/4 | 3 1/2 | 4 |
| | "B" Stub Height | 5 7/16 | 5 5/8 | 6 | 8 | 9 1/2 | 11 7/8 | 14 1/4 | 16 1/4 | 18 1/2 | 19 9/16 |
| 30 | Leg Length | 2 | 2 | 2 | 2 3/4 | 3 5/16 | 4 1/4 | 5 1/4 | 5 7/8 | 6 3/4 | 7 |
| | Unbent Length | 6 3/16 | 6 7/16 | 7 1/8 | 9 1/4 | 10 29/32 | 13 9/16 | 16 3/32 | 18 1/2 | 21 3/8 | 22 11/32 |
| | Diagonal | 6 | 6 1/4 | 7 | 9 | 10 5/8 | 13 1/4 | 15 5/8 | 18 | 20 13/16 | 21 3/4 |
| | "A" Offset | 1 1/2 | 1 5/8 | 1 3/4 | 2 3/8 | 2 3/4 | 3 1/2 | 4 | 4 11/16 | 5 3/8 | 5 3/4 |
| | "B" Stub Height | 5 7/8 | 6 | 7 | 8 3/4 | 10 1/4 | 12 3/4 | 15 1/8 | 17 7/16 | 20 1/8 | 21 |
| 45 | Leg Length | 2 1/16 | 2 | 2 | 2 5/8 | 3 1/2 | 4 1/4 | 5 1/8 | 5 7/8 | 6 3/4 | 7 1/4 |
| | Unbent Length | 7 1/4 | 7 1/2 | 8 1/2 | 11 | 13 | 16 | 18 1/2 | 22 | 25 1/4 | 27 |
| | Diagonal | 6 7/8 | 7 1/8 | 8 1/8 | 10 1/2 | 12 5/16 | 15 1/8 | 17 1/2 | 20 7/8 | 24 | 25 5/8 |
| | "A" Offset | 2 1/2 | 2 3/4 | 3 | 4 | 4 3/4 | 5 3/4 | 6 3/4 | 8 | 9 1/4 | 9 13/16 |
| | "B" Stub Height | 6 1/2 | 6 5/8 | 7 1/2 | 9 1/2 | 11 3/8 | 14 | 16 3/16 | 19 1/4 | 22 1/8 | 23 5/8 |
| 60 | Leg Length | 2 | 2 | 2 | 2 3/4 | 3 | 4 1/4 | 5 1/4 | 5 7/8 | 6 3/4 | 7 |
| | Unbent Length | 8 3/16 | 8 3/4 | 10 | 13 | 15 1/8 | 18 7/16 | 21 19/32 | 25 5/16 | 29 7/32 | 30 23/32 |
| | Diagonal | 7 1/2 | 8 | 9 | 12 | 13 7/8 | 16 7/8 | 19 5/8 | 23 1/4 | 26 3/4 | 28 |
| | "A" Offset | 3 3/4 | 4 | 4 1/2 | 6 | 7 | 8 7/16 | 9 13/16 | 11 5/8 | 13 3/8 | 14 |
| | "B" Stub Height | 6 7/16 | 6 15/16 | 8 | 10 3/8 | 12 | 14 5/8 | 17 1/16 | 20 | 23 1/8 | 24 5/16 |
| 90 | Leg Length | 2 | 2 | 2 | 2 3/4 | 3 1/4 | 4 5/16 | 5 1/4 | 5 13/16 | 6 3/4 | 6 15/16 |
| | Unbent Length | 10 5/16 | 11 1/16 | 13 | 16 3/4 | 19 1/2 | 23 1/2 | 27 | 32 | 37 | 39 |
| | Diagonal | 8 1/2 | 9 | 11 | 14 | 16 5/16 | 19 1/2 | 22 1/4 | 26 5/8 | 30 3/4 | 32 7/16 |
| | "A" Offset | 6 | 6 1/2 | 7 3/4 | 10 | 11 1/2 | 13 13/16 | 15 3/4 | 18 13/16 | 21 3/4 | 22 15/16 |
| | "B" Stub Height | 6 | 6 1/2 | 7 3/4 | 10 | 11 1/2 | 13 13/16 | 15 3/4 | 18 13/16 | 21 3/4 | 22 15/16 |



EMT STANDARD AND SPECIAL RADIUS ELBOWS

EMT STANDARD RADIUS ELBOWS

| CATALOG NUMBER | DESCRIPTION | WEIGHT PER 100 PIECES (lbs) | STANDARD CARTON |
|----------------|--------------------|-----------------------------|-----------------|
| EMTELB1/2X90 | 1/2X90 EMT ELBOW | 28 | 50 |
| EMTELB3/4X90 | 3/4X90 EMT ELBOW | 46 | 50 |
| EMTELB1X90 | 1X 90 EMT ELBOW | 86 | 25 |
| EMTELB1-1/4X90 | 1 1/4X90 EMT ELBOW | 148 | 25 |
| EMTELB1-1/2X90 | 1 1/2X90 EMT ELBOW | 198 | 15 |
| EMTELB2X90 | 2X90 EMT ELBOW | 286 | 10 |
| EMTELB2-1/2X90 | 2 1/2X90 EMT ELBOW | 536 | BLK |
| EMTELB3X90 | 3X90 EMT ELBOW | 720 | BLK |
| EMTELB3-1/2X90 | 3 1/2X90 EMT ELBOW | 1080 | BLK |
| EMTELB4X90 | 4X90 EMT ELBOW | 1333 | BLK |
| EMTELB1/2X45 | 1/2X45 EMT ELBOW | 24 | 50 |
| EMTELB3/4X45 | 3/4X45 EMT ELBOW | 39 | 50 |
| EMTELB1X45 | 1X 45 EMT ELBOW | 73 | 25 |
| EMTELB1-1/4X45 | 1 1/4X45 EMT ELBOW | 126 | 25 |
| EMTELB1-1/2X45 | 1 1/2X45 EMT ELBOW | 168 | 15 |
| EMTELB2X45 | 2X45 EMT ELBOW | 243 | 10 |
| EMTELB2-1/2X45 | 2 1/2X45 EMT ELBOW | 456 | BLK |
| EMTELB3X45 | 3X45 EMT ELBOW | 612 | BLK |
| EMTELB3-1/2X45 | 3 1/2X45 EMT ELBOW | 918 | BLK |
| EMTELB4X45 | 4X45 EMT ELBOW | 1133 | BLK |

NOTE: Weights shown are approximate for 90° elbows. To arrive at weights for 45° elbows deduct 15%.
 Sizes 2-1/2 " and larger shipped in palletized cartons or bulk, with ECN-Korns identifying label.

EMT STANDARD RADIUS ELBOWS



STANDARD RADIUS ELBOWS • EMT

| Radius (in.) | 4 | 4 1/2 | 5 3/4 | 7 1/4 | 8 1/4 | 9 1/2 | 10 1/2 | 13 | 15 | 16 | |
|---------------|-----------------|---------|---------|---------|--------|----------|----------|----------|----------|----------|----------|
| Degree | Size | 1/2 | 3/4 | 1 | 1 1/4 | 1 1/2 | 2 | 2 1/2 | 3 | 3 1/2 | 4 |
| 11 1/4 | Leg Length | 2 | 2 | 2 | 2 3/4 | 3 | 4 1/4 | 5 1/4 | 5 7/8 | 6 3/4 | 7 |
| | Unbent Length | 4 13/16 | 4 7/8 | 5 1/8 | 6 7/8 | 8 1/4 | 10 3/8 | 12 9/16 | 14 3/16 | 16 3/8 | 17 |
| | Diagonal | 4 3/4 | 4 7/8 | 5 1/8 | 6 7/8 | 8 1/4 | 10 3/8 | 12 1/2 | 14 1/4 | 16 1/4 | 16 15/16 |
| | "A" Offset | 1/2 | 1/2 | 1/2 | 11/16 | 3/4 | 1 | 1 1/4 | 1 3/8 | 1 1/2 | 1 3/4 |
| | "B" Stub Height | 4 3/4 | 4 13/16 | 5 | 6 7/8 | 8 3/16 | 10 1/2 | 12 1/2 | 14 1/16 | 16 1/4 | 17 |
| 15 | Leg Length | 2 | 2 | 2 | 2 3/4 | 3 1/4 | 4 5/16 | 5 1/4 | 5 7/8 | 6 3/4 | 7 |
| | Unbent Length | 5 1/16 | 5 3/16 | 5 1/2 | 7 1/4 | 8 5/8 | 11 1/16 | 13 11/32 | 15 1/8 | 17 15/32 | 18 5/32 |
| | Diagonal | 5 | 5 1/8 | 5 | 7 1/4 | 8 5/8 | 11 | 13 1/4 | 15 | 17 5/16 | 18 |
| | "A" Offset | 5/8 | 11/16 | 11/16 | 1 | 1 1/8 | 1 1/2 | 1 3/4 | 2 | 2 1/4 | 2 3/8 |
| | "B" Stub Height | 5 | 5 1/8 | 5 3/8 | 7 1/8 | 8 1/2 | 10 7/8 | 13 1/8 | 15 | 17 1/4 | 17 7/8 |
| 22 1/2 | Leg Length | 2 | 2 1/16 | 2 | 2 3/4 | 3 | 4 1/4 | 5 1/4 | 5 7/8 | 6 3/4 | 7 |
| | Unbent Length | 5 21/32 | 5 27/32 | 6 11/32 | 8 5/16 | 9 27/32 | 12 5/16 | 14 23/32 | 16 13/16 | 19 13/32 | 20 1/4 |
| | Diagonal | 6 | 5 3/4 | 6 1/4 | 8 1/4 | 9 3/4 | 12 1/8 | 14 1/2 | 16 1/2 | 19 1/8 | 19 15/16 |
| | "A" Offset | 1 1/8 | 1 | 1 | 1 5/8 | 2 | 2 3/8 | 2 3/4 | 3 1/4 | 3 1/2 | 4 |
| | "B" Stub Height | 5 7/16 | 5 5/8 | 6 | 8 | 9 1/2 | 11 7/8 | 14 1/4 | 16 1/4 | 18 1/2 | 19 9/16 |
| 30 | Leg Length | 2 | 2 | 2 | 2 3/4 | 3 5/16 | 4 1/4 | 5 1/4 | 5 7/8 | 6 3/4 | 7 |
| | Unbent Length | 6 3/16 | 6 7/16 | 7 1/8 | 9 1/4 | 10 29/32 | 13 9/16 | 16 3/32 | 18 1/2 | 21 3/8 | 22 11/32 |
| | Diagonal | 6 | 6 1/4 | 7 | 9 | 10 5/8 | 13 1/4 | 15 5/8 | 18 | 20 13/16 | 21 3/4 |
| | "A" Offset | 1 1/2 | 1 5/8 | 1 3/4 | 2 3/8 | 2 3/4 | 3 1/2 | 4 | 4 11/16 | 5 3/8 | 5 3/4 |
| | "B" Stub Height | 5 7/8 | 6 | 7 | 8 3/4 | 10 1/4 | 12 3/4 | 15 1/8 | 17 7/16 | 20 1/8 | 21 |
| 45 | Leg Length | 2 1/16 | 2 | 2 | 2 5/8 | 3 1/2 | 4 1/4 | 5 1/8 | 5 7/8 | 6 3/4 | 7 1/4 |
| | Unbent Length | 7 1/4 | 7 1/2 | 8 1/2 | 11 | 13 | 16 | 18 1/2 | 22 | 25 1/4 | 27 |
| | Diagonal | 6 7/8 | 7 1/8 | 8 1/8 | 10 1/2 | 12 5/16 | 15 1/8 | 17 1/2 | 20 7/8 | 24 | 25 5/8 |
| | "A" Offset | 2 1/2 | 2 3/4 | 3 | 4 | 4 3/4 | 5 3/4 | 6 3/4 | 8 | 9 1/4 | 9 13/16 |
| | "B" Stub Height | 6 1/2 | 6 5/8 | 7 1/2 | 9 1/2 | 11 3/8 | 14 | 16 3/16 | 19 1/4 | 22 1/8 | 23 5/8 |
| 60 | Leg Length | 2 | 2 | 2 | 2 3/4 | 3 | 4 1/4 | 5 1/4 | 5 7/8 | 6 3/4 | 7 |
| | Unbent Length | 8 3/16 | 8 3/4 | 10 | 13 | 15 1/8 | 18 7/16 | 21 19/32 | 25 5/16 | 29 7/32 | 30 23/32 |
| | Diagonal | 7 1/2 | 8 | 9 | 12 | 13 7/8 | 16 7/8 | 19 5/8 | 23 1/4 | 26 3/4 | 28 |
| | "A" Offset | 3 3/4 | 4 | 4 1/2 | 6 | 7 | 8 7/16 | 9 13/16 | 11 5/8 | 13 3/8 | 14 |
| | "B" Stub Height | 6 7/16 | 6 15/16 | 8 | 10 3/8 | 12 | 14 5/8 | 17 1/16 | 20 | 23 1/8 | 24 5/16 |
| 90 | Leg Length | 2 | 2 | 2 | 2 3/4 | 3 1/4 | 4 5/16 | 5 1/4 | 5 13/16 | 6 3/4 | 6 15/16 |
| | Unbent Length | 10 5/16 | 11 1/16 | 13 | 16 3/4 | 19 1/2 | 23 1/2 | 27 | 32 | 37 | 39 |
| | Diagonal | 8 1/2 | 9 | 11 | 14 | 16 5/16 | 19 1/2 | 22 1/4 | 26 5/8 | 30 3/4 | 32 7/16 |
| | "A" Offset | 6 | 6 1/2 | 7 3/4 | 10 | 11 1/2 | 13 13/16 | 15 3/4 | 18 13/16 | 21 3/4 | 22 15/16 |
| | "B" Stub Height | 6 | 6 1/2 | 7 3/4 | 10 | 11 1/2 | 13 13/16 | 15 3/4 | 18 13/16 | 21 3/4 | 22 15/16 |