

4

3

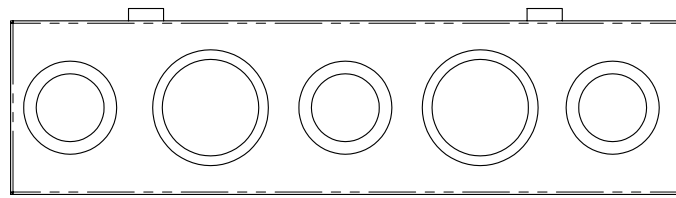
2

1

NOTES:

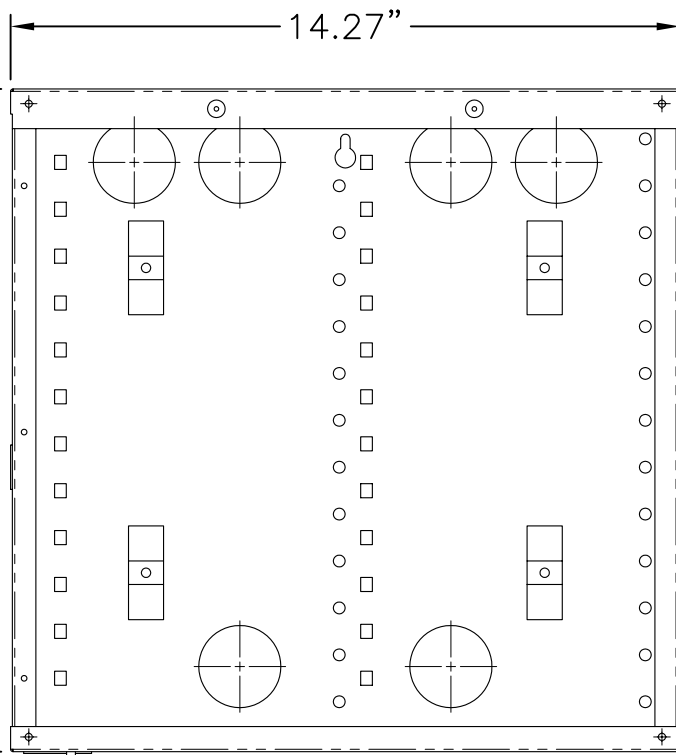
- 1. UL CATEGORIES: UL985, UL1863
- 2. COATING: POWDER
- 3. STEEL GAUGE: 20
- 4. INSTRUCTION SHEET INCLUDED
- 5. CABLE GUARD INSERT INCLUDED

B

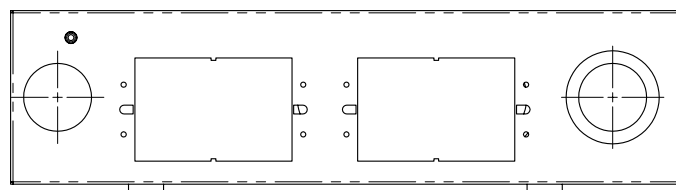


14.27"

14.13"

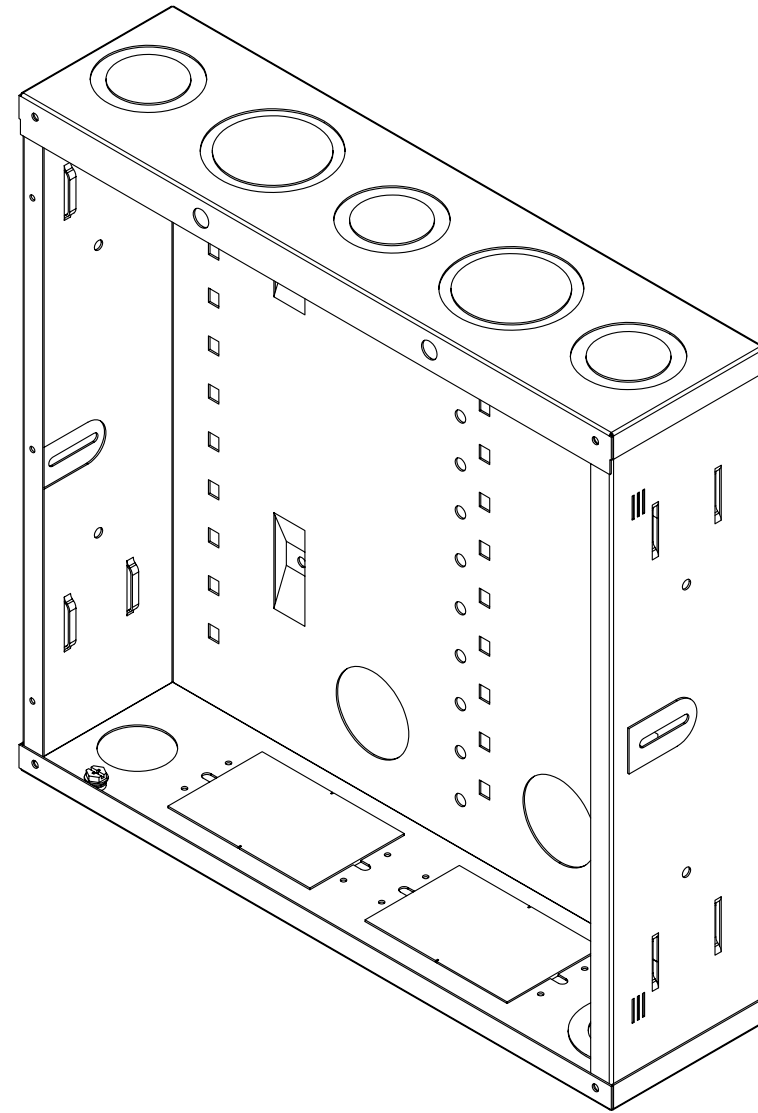


3.70"



A

B



A

PROPRIETARY AND CONFIDENTIAL  
 THE INFORMATION CONTAINED  
 IN THIS DRAWING IS THE SOLE  
 PROPERTY OF On-Q/LEGRAND.  
 ANY REPRODUCTION IN PART OR  
 AS A WHOLE WITHOUT THE WRITTEN  
 PERMISSION OF On-Q/LEGRAND  
 IS PROHIBITED. DRAWING IS SUBJECT  
 TO CHANGE WITHOUT NOTICE.

on·q

legrand

P.O. Box 60907  
 Harrisburg, PA 17106-0907  
 1-800-321-2343

TITLE:  
**14IN ENCLOSURE W/ KNOCK-OUTS  
 NO COVER**

SIZE <b>B</b>	DWG NO EN1485	FILE NAME CD-EN1485	CUST REV 1
REVISED DATE 4/28/08	SCALE NONE	SHEET 1 OF 1	

4

3

2

1

4

3

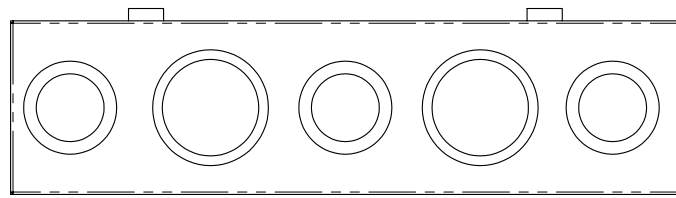
2

1

NOTES:

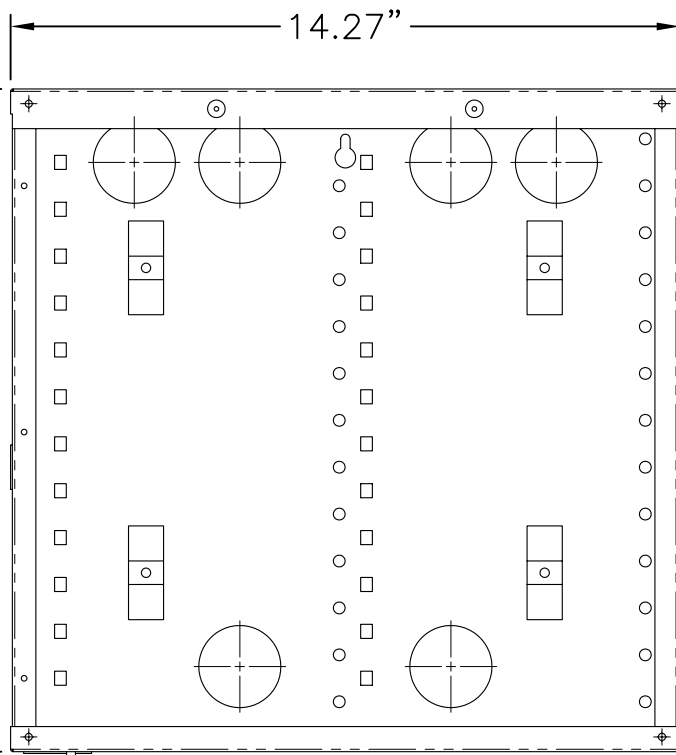
- 1. UL CATEGORIES: UL985, UL1863
- 2. COATING: POWDER
- 3. STEEL GAUGE: 20
- 4. INSTRUCTION SHEET INCLUDED
- 5. CABLE GUARD INSERT INCLUDED

B

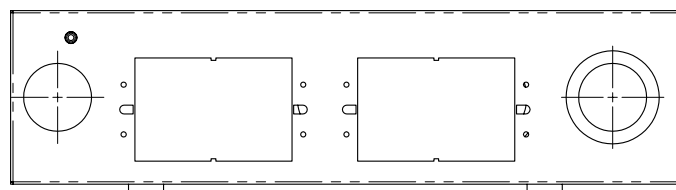


14.27"

14.13"

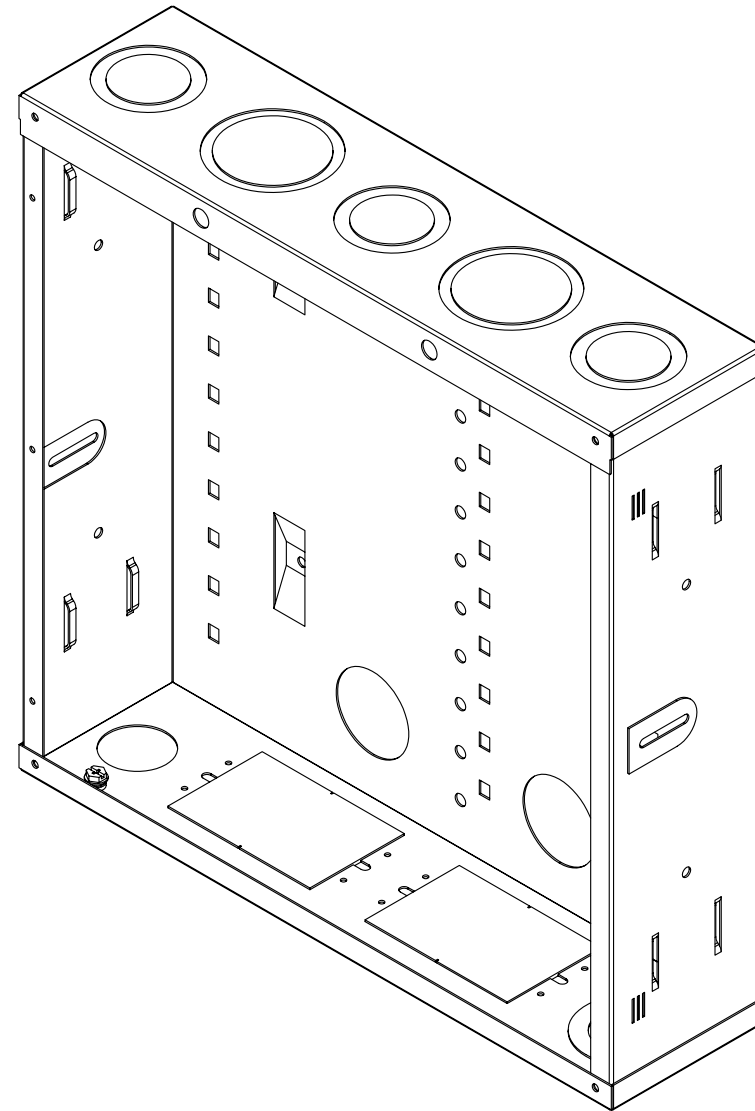


3.70"



A

B



A

ACAD

4

3

2

1

PROPRIETARY AND CONFIDENTIAL  
 THE INFORMATION CONTAINED  
 IN THIS DRAWING IS THE SOLE  
 PROPERTY OF On-Q/LEGRAND.  
 ANY REPRODUCTION IN PART OR  
 AS A WHOLE WITHOUT THE WRITTEN  
 PERMISSION OF On-Q/LEGRAND  
 IS PROHIBITED. DRAWING IS SUBJECT  
 TO CHANGE WITHOUT NOTICE.

**on·q**

**legrand**

P.O. Box 60907  
 Harrisburg, PA 17106-0907  
 1-800-321-2343

TITLE:  
**14IN ENCLOSURE W/ KNOCK-OUTS  
 NO COVER**

SIZE <b>B</b>	DWG NO EN1485	FILE NAME CD-EN1485	CUST REV 1
REVISED DATE 4/28/08	SCALE NONE	SHEET 1 OF 1	