

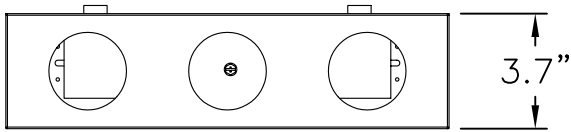
2

1

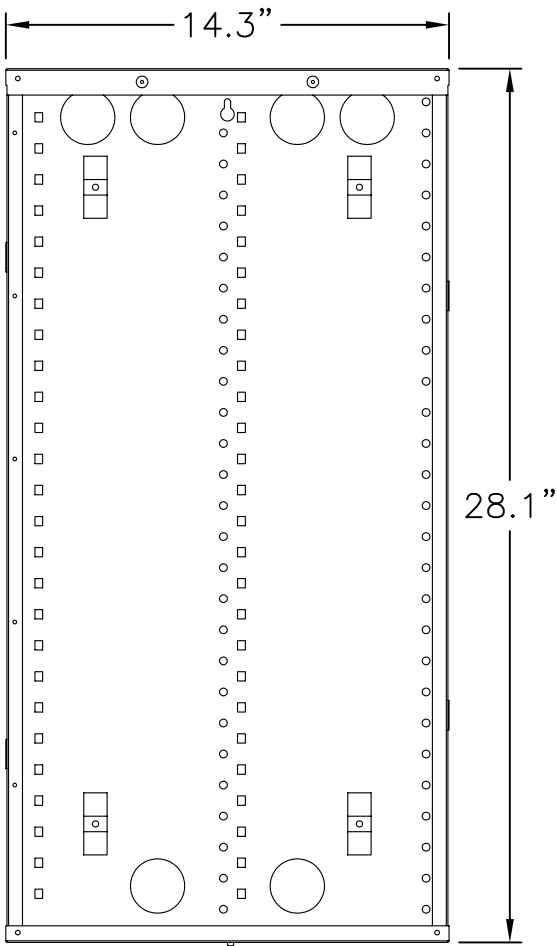
NOTES:

- 1. UL CATEGORIES: UL985, UL1863
- 2. COATING: POWDER
- 3. STEEL GAUGE: 20
- 4. INSTRUCTION SHEET INCLUDED
- 5. CABLE GUARD INSERT INCLUDED

B

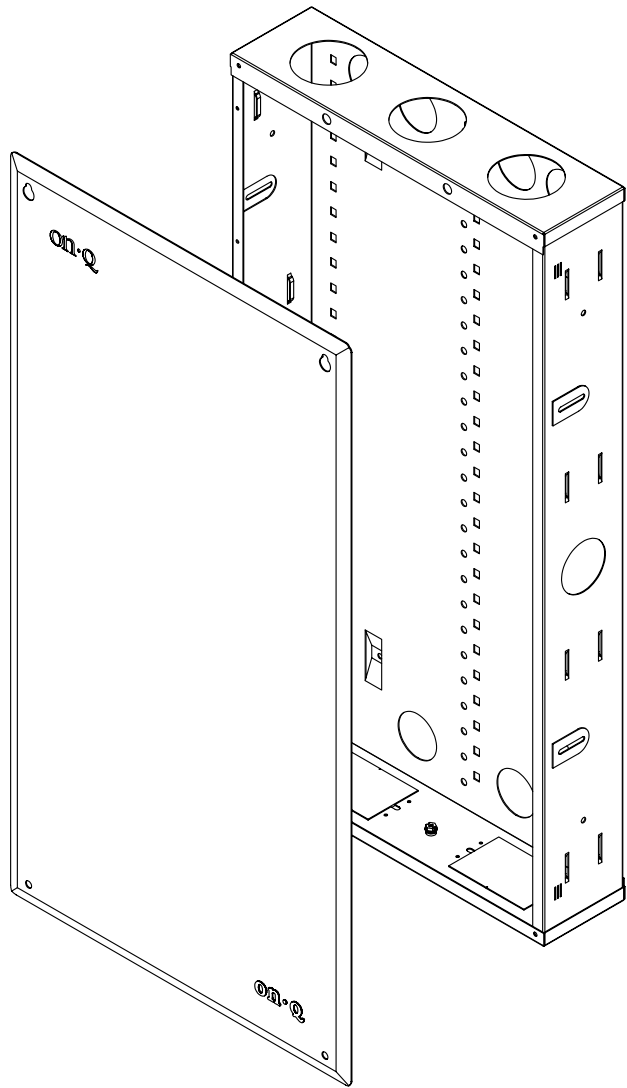


B



A

A



PROPRIETARY AND CONFIDENTIAL
 THE INFORMATION CONTAINED
 IN THIS DRAWING IS THE SOLE
 PROPERTY OF On-Q/LEGRAND.
 ANY REPRODUCTION IN PART OR
 AS A WHOLE WITHOUT THE WRITTEN
 PERMISSION OF On-Q/LEGRAND
 IS PROHIBITED. DRAWING IS SUBJECT
 TO CHANGE WITHOUT NOTICE.

on·Q

legrand

P.O. Box 60907
 Middletown, PA 17106-0907
 1-800-321-2343

TITLE:

**28 IN ENCLOSURE WITH
 SCREW ON COVER**

| SIZE | DWG NO | FILE NAME | CUST REV |
|--------------|---------------|------------------|----------|
| A | EN2800 | CD-EN2800 | 1 |
| REVISED DATE | SCALE | SHEET | |
| 11/01/07 | NONE | 1 OF 1 | |

2

1

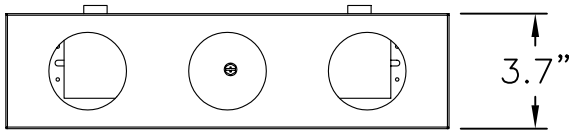
2

1

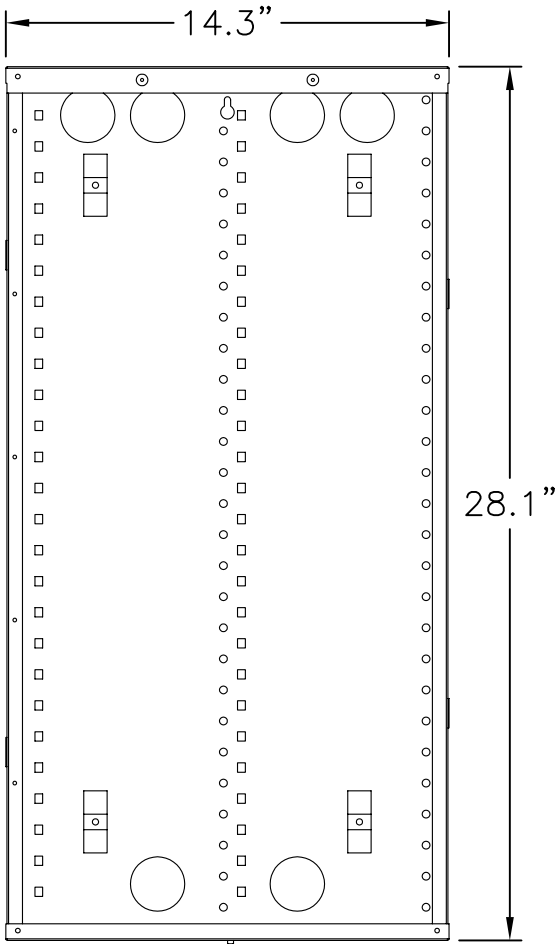
NOTES:

- 1. UL CATEGORIES: UL985, UL1863
- 2. COATING: POWDER
- 3. STEEL GAUGE: 20
- 4. INSTRUCTION SHEET INCLUDED
- 5. CABLE GUARD INSERT INCLUDED

B

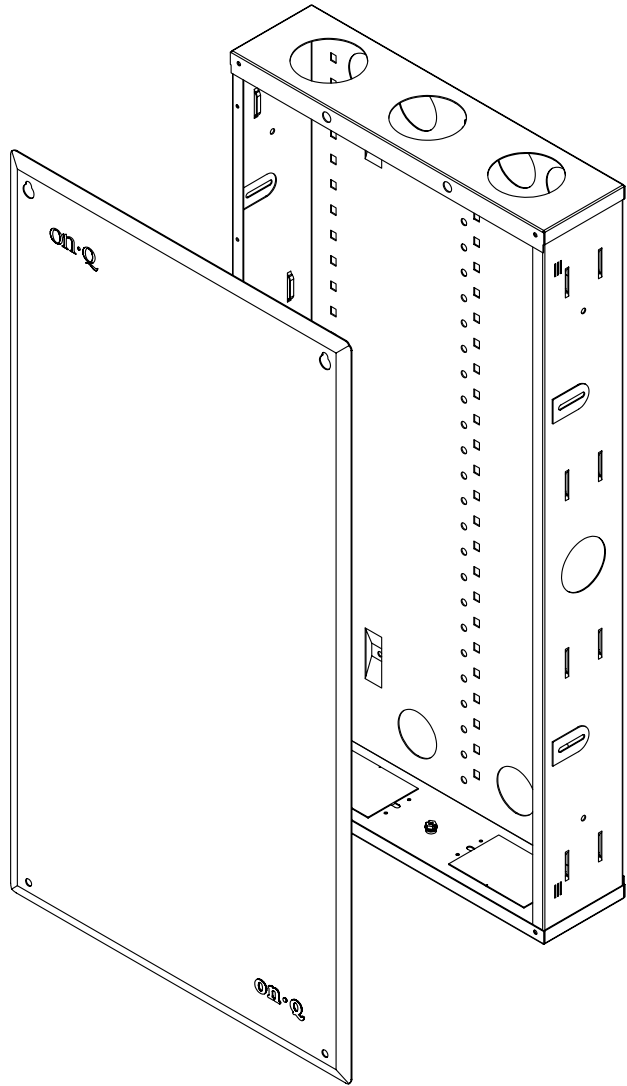


B



A

A



PROPRIETARY AND CONFIDENTIAL
 THE INFORMATION CONTAINED
 IN THIS DRAWING IS THE SOLE
 PROPERTY OF On-Q/LEGRAND.
 ANY REPRODUCTION IN PART OR
 AS A WHOLE WITHOUT THE WRITTEN
 PERMISSION OF On-Q/LEGRAND
 IS PROHIBITED. DRAWING IS SUBJECT
 TO CHANGE WITHOUT NOTICE.

on·Q

legrand

P.O. Box 60907
 Middletown, PA 17106-0907
 1-800-321-2343

TITLE:

**28 IN ENCLOSURE WITH
 SCREW ON COVER**

| SIZE | DWG NO | FILE NAME | CUST REV |
|--------------|---------------|------------------|----------|
| A | EN2800 | CD-EN2800 | 1 |
| REVISED DATE | SCALE | SHEET | |
| 11/01/07 | NONE | 1 OF 1 | |

2

1