

| |
|----------------|
| Catalog Number |
| Notes |
| Type |

FEATURES & SPECIFICATIONS

INTENDED USE — The EPANL Series LED Edge-Lit Flat Panel provides a fully luminous appearance across the face of the lens. This provides a soft, glare-free solution that is visually comfortable within the space. Suitable for many lighting applications including schools, offices and other commercial spaces, retail, convenience stores, hospitals and healthcare facilities. **Certain airborne contaminants can diminish the integrity of acrylic and/or polycarbonate.** [Click here for Acrylic-Polycarbonate Compatibility table for suitable uses.](#)

CONSTRUCTION — Built to last with an aluminum frame for strength and durability, the seamless frame prevents light leak in the corners. The satin white lens provides excellent shielding and fully luminous appearance. EPANL's low-profile design provides increased installation flexibility especially in restricted plenum spaces. The back plate includes integral T-bar clips for installation exclusively into 15/16" T-grid ceilings. Fixture may be mounted and wired in continuous rows.

ELECTRICAL — Long-life LEDs, coupled with a high-efficiency driver, provide superior illumination for extended service life. 70% LED lumen maintenance at 60,000 hours (L70/60,000). 0-10V dimming driver, dims to 10%.

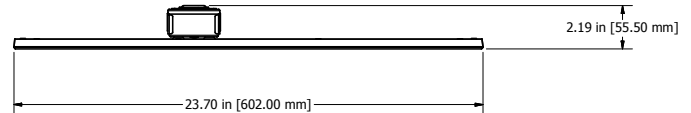
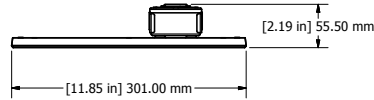
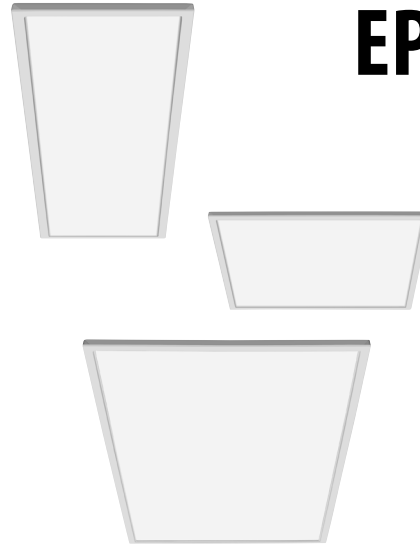
LISTINGS — CSA certified to meet US and Canadian standards. DesignLights Consortium® (DLC) Premium qualified product. Not all versions of this product may be DLC Premium qualified. Please check the DLC Qualified Products List at www.designlights.org/QPL to confirm which versions are qualified. Damp location listed. IC rated. IP5X rated.

WARRANTY — 5-year limited warranty. Complete warranty terms located at: www.acuitybrands.com/CustomerResources/Terms_and_conditions.aspx

Note: Actual performance may differ as a result of end-user environment and application. All values are design or typical values, measured under laboratory conditions at 25 °C. Specifications subject to change without notice.

EPANL LED

1' x 4', 2' x 2' and 2' x 4'



ORDERING INFORMATION

| Catalog Number | UPC | Description | Lumens | Color Temperature | CRI | Voltage | Wattage | Efficacy | Pallet Qty. | Standard Carton Qty. |
|--------------------|--------------|----------------|--------|-------------------|-----|----------|---------|----------|-------------|----------------------|
| EPANL 14 40L 35K | 190887602739 | 1x4 Flat Panel | 3905 | 3500K | >80 | 120-277V | 38.6W | 101 | 39 | 1 |
| EPANL 14 40LHE 35K | 190887602746 | 1x4 Flat Panel | 3922 | 3500K | >80 | 120-277V | 30.6W | 128 | 39 | 1 |
| EPANL 14 40L 40K | 190887602753 | 1x4 Flat Panel | 4397 | 4000K | >80 | 120-277V | 38.5W | 114 | 39 | 1 |
| EPANL 14 40LHE 40K | 190887602760 | 1x4 Flat Panel | 3857 | 4000K | >80 | 120-277V | 30.2W | 128 | 39 | 1 |
| EPANL 22 34L 35K | 190887602647 | 2x2 Flat Panel | 3285 | 3500K | >80 | 120-277V | 31.3W | 105 | 26 | 1 |
| EPANL 22 34LHE 35K | 190887602661 | 2x2 Flat Panel | 3357 | 3500K | >80 | 120-277V | 26.0W | 129 | 26 | 1 |
| EPANL 22 34L 40K | 190887602678 | 2x2 Flat Panel | 3479 | 4000K | >80 | 120-277V | 30.8W | 113 | 26 | 1 |
| EPANL 22 34LHE 40K | 190887602685 | 2x2 Flat Panel | 3361 | 4000K | >80 | 120-277V | 25.9W | 130 | 26 | 1 |
| EPANL 24 40L 35K | 190887602692 | 2x4 Flat Panel | 4039 | 3500K | >80 | 120-277V | 38.8W | 104 | 13 | 1 |
| EPANL 24 40LHE 35K | 190887602708 | 2x4 Flat Panel | 3953 | 3500K | >80 | 120-277V | 30.3W | 130 | 13 | 1 |
| EPANL 24 40L 40K | 190887602715 | 2x4 Flat Panel | 4351 | 4000K | >80 | 120-277V | 38.9W | 112 | 13 | 1 |
| EPANL 24 40LHE 40K | 190887602722 | 2x4 Flat Panel | 4013 | 4000K | >80 | 120-277V | 30.7W | 131 | 13 | 1 |

<http://www.acuitybrands.com/products/detail/753016/Lithonia-Lighting/EPANL-Flat-Panel/EPANL-Fully-Luminous-Flat-Panel/specification-sheets>

Notes:

1. Please refer to Emergency Battery Delivered Lumen section for lumen calculation.

ACCESSORIES

| Accessories: Order as separate catalog number. | | | Options: |
|--|---|----------------|--|
| DGA14 | Drywall grid adapter for 1x4 recessed fixture. | PANLACG___ | WPLT 54" x 54" pallet; doubles pallet QTY. |
| DGA22 | Drywall grid adapter for 2x2 recessed fixture. | PANLACGF___ | |
| DGA24 | Drywall grid adapter for 2x4 recessed fixture. | PANLACGE___ | |
| PS1050DL EMI | Power Sentry emergency battery pack field installation kit (Not CEC compliant). ¹ | 2X4PANLACG___ | |
| PS1050DL EMI T20C | Power Sentry emergency battery pack field installation kit for T20 CEC compliance. ¹ | 2X4PANLACGF___ | |
| 2X2SMK | 2'x2' Surface Mount Troffer Kit | 2X4PANLACGE___ | |
| 2X4SMK | 2'x4' Surface Mount Troffer Kit | | |
| 1X4SMK | 1'x4' Surface Mount Troffer Kit | | |

| Emergency Battery Delivered Lumens |
|---|
| Use the formula below to determine the delivered lumens in emergency mode |
| Delivered Lumens = 1.25 x P x LPW |
| P = Output power of emergency driver (10W for PS1050DL) |
| LPW = Lumen per watt rating of the luminaire. |

EPANL LED Flat Panel

EPANL compatible with Sensor Switch™
WSX-D and SPOD wall switches.



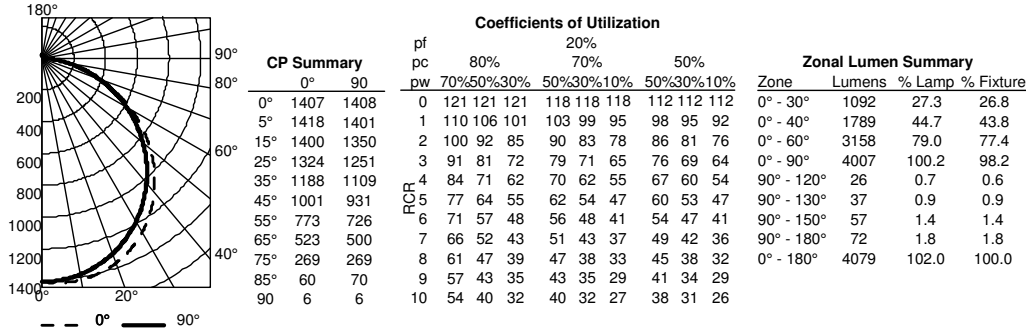
WSX-D



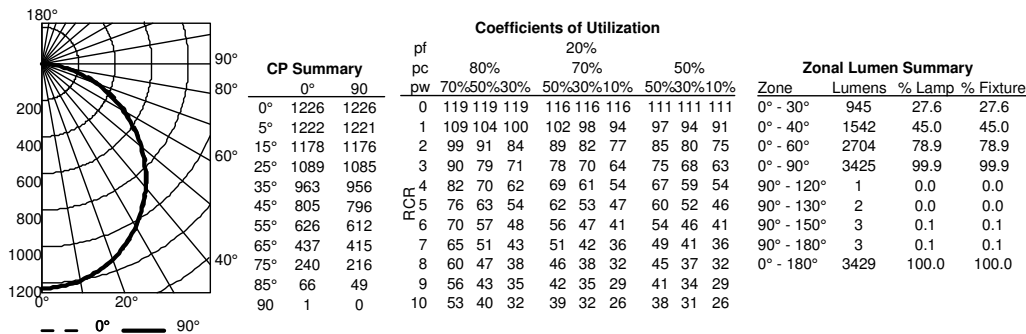
SPOD

PHOTOMETRICS

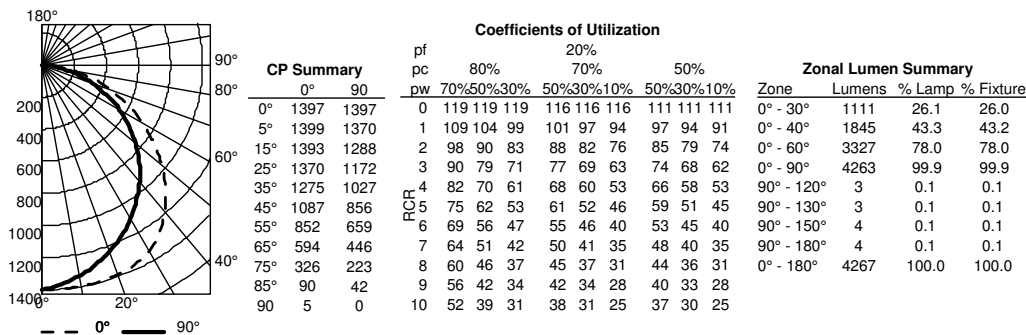
EPANL 14 40L 40K, 4397 delivered lumens, tested in accordance to IESNA LM-79.



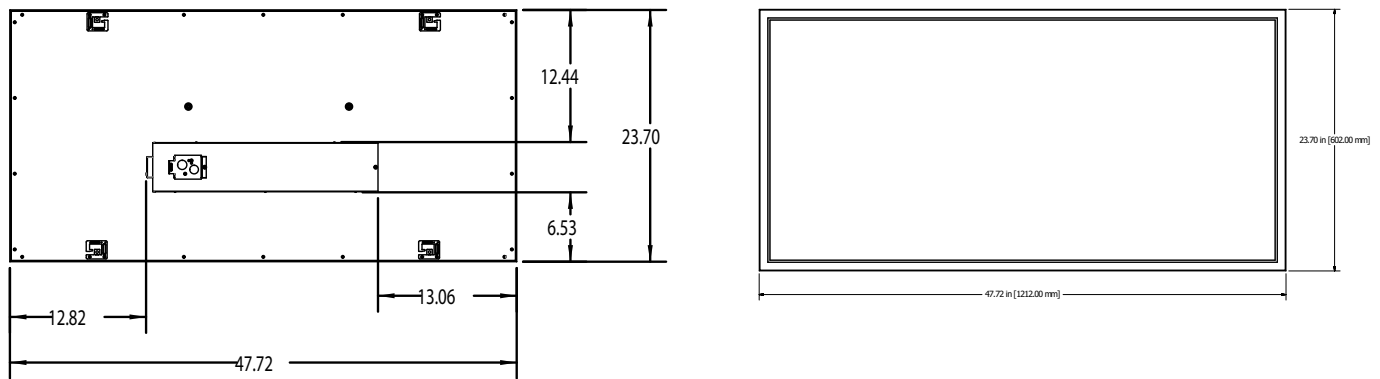
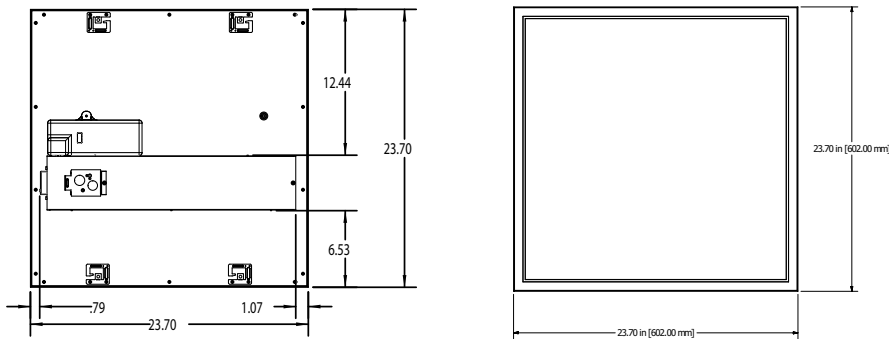
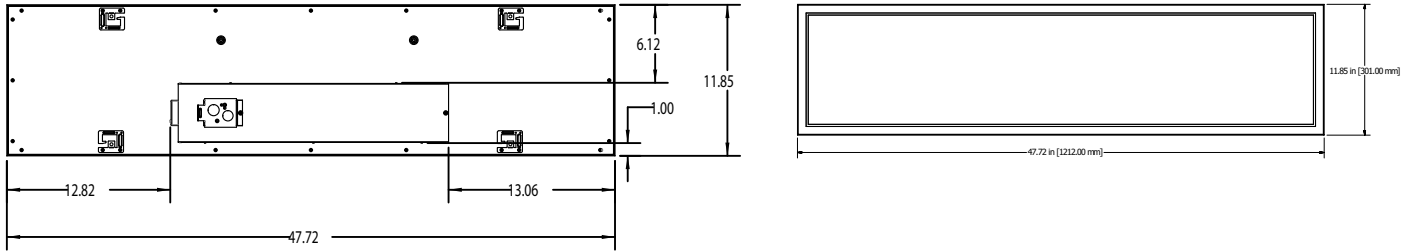
EPANL 22 34L 40K, 3479 delivered lumens, tested in accordance to IESNA LM-79.



EPANL 24 40L 40K, 4351 delivered lumens, tested in accordance to IESNA LM-79.



DIMENSIONS



MOUNTING DATA

Suspension Kit Ceiling Types:

F1 for use with most T-bar and screw slot grid ceiling applications. Designed for on-grid and off-grid installations.

F2 for use with recessed or surface-mount horizontal J-box applications.

Example Configurations: PANLACG36 F1, PANLAGF36 F2, PANLAGE72 F1, etc.

For 2X2 and 1X4, use two kits per fixture. Single kit utilizes “Y” split cable to allow for connection with 2 suspension points on one end of the fixture.

For 2X4 fixtures, use four kits per fixture. Single cable to allow for connection with single suspension point of the four on the fixture.

| |
|----------------|
| Catalog Number |
| Notes |
| Type |

FEATURES & SPECIFICATIONS

INTENDED USE — The EPANL Series LED Edge-Lit Flat Panel provides a fully luminous appearance across the face of the lens. This provides a soft, glare-free solution that is visually comfortable within the space. Suitable for many lighting applications including schools, offices and other commercial spaces, retail, convenience stores, hospitals and healthcare facilities. **Certain airborne contaminants can diminish the integrity of acrylic and/or polycarbonate.** [Click here for Acrylic-Polycarbonate Compatibility table for suitable uses.](#)

CONSTRUCTION — Built to last with an aluminum frame for strength and durability, the seamless frame prevents light leak in the corners. The satin white lens provides excellent shielding and fully luminous appearance. EPANL's low-profile design provides increased installation flexibility especially in restricted plenum spaces. The back plate includes integral T-bar clips for installation exclusively into 15/16" T-grid ceilings. Fixture may be mounted and wired in continuous rows.

ELECTRICAL — Long-life LEDs, coupled with a high-efficiency driver, provide superior illumination for extended service life. 70% LED lumen maintenance at 60,000 hours (L70/60,000). 0-10V dimming driver, dims to 10%.

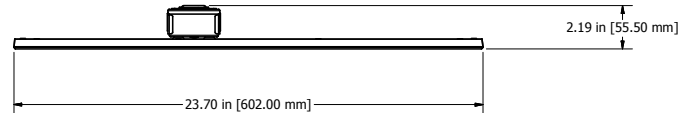
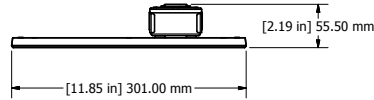
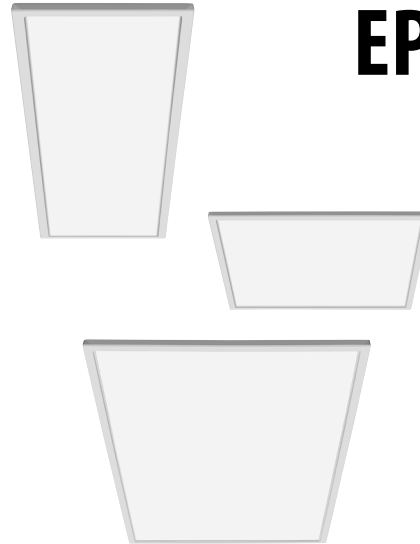
LISTINGS — CSA certified to meet US and Canadian standards. DesignLights Consortium® (DLC) Premium qualified product. Not all versions of this product may be DLC Premium qualified. Please check the DLC Qualified Products List at www.designlights.org/QPL to confirm which versions are qualified. Damp location listed. IC rated. IP5X rated.

WARRANTY — 5-year limited warranty. Complete warranty terms located at: www.acuitybrands.com/CustomerResources/Terms_and_conditions.aspx

Note: Actual performance may differ as a result of end-user environment and application. All values are design or typical values, measured under laboratory conditions at 25 °C. Specifications subject to change without notice.

EPANL LED

1' x 4', 2' x 2' and 2' x 4'



ORDERING INFORMATION

| Catalog Number | UPC | Description | Lumens | Color Temperature | CRI | Voltage | Wattage | Efficacy | Pallet Qty. | Standard Carton Qty. |
|--------------------|--------------|----------------|--------|-------------------|-----|----------|---------|----------|-------------|----------------------|
| EPANL 14 40L 35K | 190887602739 | 1x4 Flat Panel | 3905 | 3500K | >80 | 120-277V | 38.6W | 101 | 39 | 1 |
| EPANL 14 40LHE 35K | 190887602746 | 1x4 Flat Panel | 3922 | 3500K | >80 | 120-277V | 30.6W | 128 | 39 | 1 |
| EPANL 14 40L 40K | 190887602753 | 1x4 Flat Panel | 4397 | 4000K | >80 | 120-277V | 38.5W | 114 | 39 | 1 |
| EPANL 14 40LHE 40K | 190887602760 | 1x4 Flat Panel | 3857 | 4000K | >80 | 120-277V | 30.2W | 128 | 39 | 1 |
| EPANL 22 34L 35K | 190887602647 | 2x2 Flat Panel | 3285 | 3500K | >80 | 120-277V | 31.3W | 105 | 26 | 1 |
| EPANL 22 34LHE 35K | 190887602661 | 2x2 Flat Panel | 3357 | 3500K | >80 | 120-277V | 26.0W | 129 | 26 | 1 |
| EPANL 22 34L 40K | 190887602678 | 2x2 Flat Panel | 3479 | 4000K | >80 | 120-277V | 30.8W | 113 | 26 | 1 |
| EPANL 22 34LHE 40K | 190887602685 | 2x2 Flat Panel | 3361 | 4000K | >80 | 120-277V | 25.9W | 130 | 26 | 1 |
| EPANL 24 40L 35K | 190887602692 | 2x4 Flat Panel | 4039 | 3500K | >80 | 120-277V | 38.8W | 104 | 13 | 1 |
| EPANL 24 40LHE 35K | 190887602708 | 2x4 Flat Panel | 3953 | 3500K | >80 | 120-277V | 30.3W | 130 | 13 | 1 |
| EPANL 24 40L 40K | 190887602715 | 2x4 Flat Panel | 4351 | 4000K | >80 | 120-277V | 38.9W | 112 | 13 | 1 |
| EPANL 24 40LHE 40K | 190887602722 | 2x4 Flat Panel | 4013 | 4000K | >80 | 120-277V | 30.7W | 131 | 13 | 1 |

<http://www.acuitybrands.com/products/detail/753016/Lithonia-Lighting/EPANL-Flat-Panel/EPANL-Fully-Luminous-Flat-Panel/specification-sheets>

Notes:

1. Please refer to Emergency Battery Delivered Lumen section for lumen calculation.

ACCESSORIES

| Accessories: Order as separate catalog number. | | | Options: |
|--|---|----------------|--|
| DGA14 | Drywall grid adapter for 1x4 recessed fixture. | PANLACG___ | WPLT 54" x 54" pallet; doubles pallet QTY. |
| DGA22 | Drywall grid adapter for 2x2 recessed fixture. | PANLACGF___ | |
| DGA24 | Drywall grid adapter for 2x4 recessed fixture. | PANLACGE___ | |
| PS1050DL EMI | Power Sentry emergency battery pack field installation kit (Not CEC compliant). ¹ | 2X4PANLACG___ | |
| PS1050DL EMI T20C | Power Sentry emergency battery pack field installation kit for T20 CEC compliance. ¹ | 2X4PANLACGF___ | |
| 2X2SMK | 2'x2' Surface Mount Troffer Kit | 2X4PANLACGE___ | |
| 2X4SMK | 2'x4' Surface Mount Troffer Kit | | |
| 1X4SMK | 1'x4' Surface Mount Troffer Kit | | |

| Emergency Battery Delivered Lumens |
|---|
| Use the formula below to determine the delivered lumens in emergency mode |
| Delivered Lumens = 1.25 x P x LPW |
| P = Output power of emergency driver (10W for PS1050DL) |
| LPW = Lumen per watt rating of the luminaire. |

EPANL LED Flat Panel

EPANL compatible with Sensor Switch™
[WSX-D](#) and [SPOD](#) wall switches.



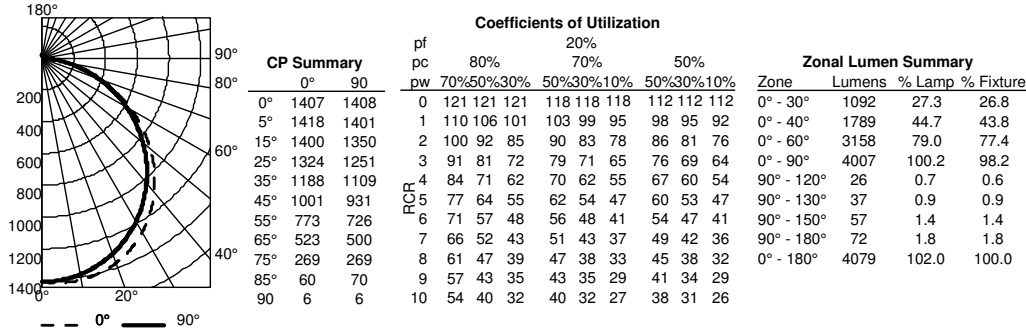
WSX-D



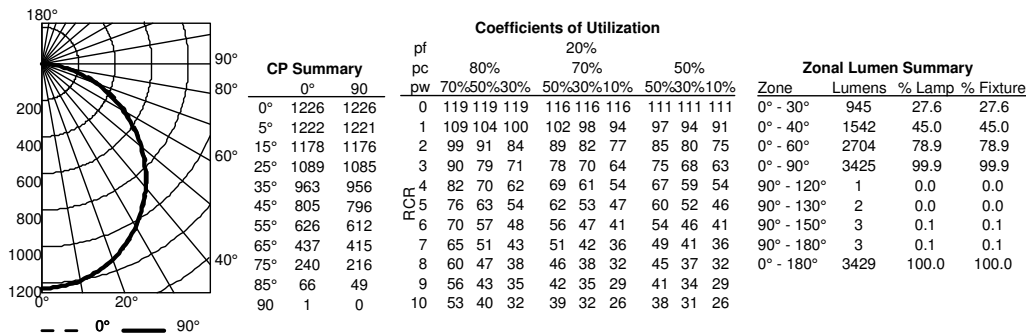
SPOD

PHOTOMETRICS

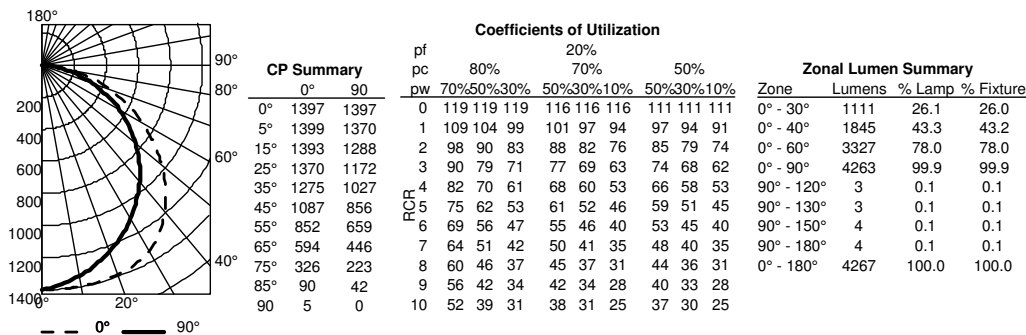
EPANL 14 40L 40K, 4397 delivered lumens, tested in accordance to IESNA LM-79.



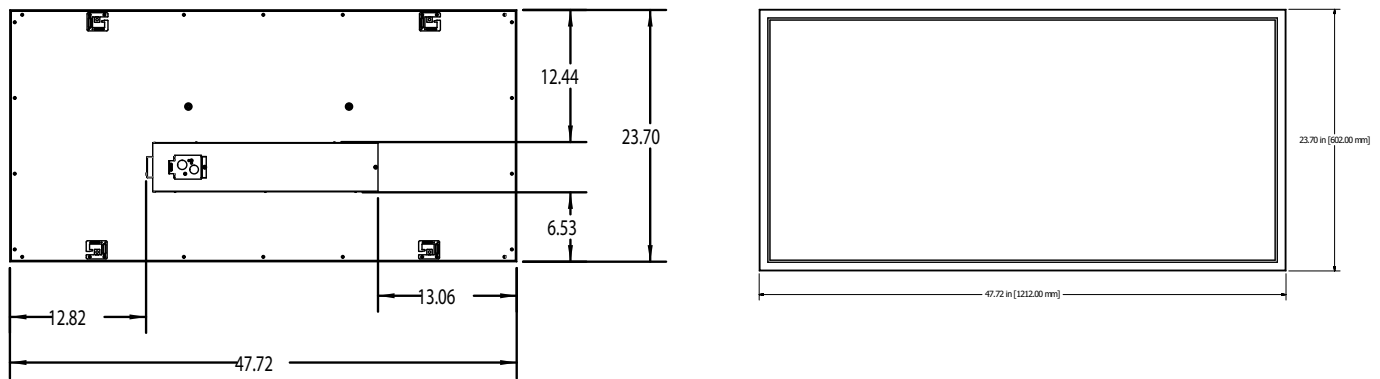
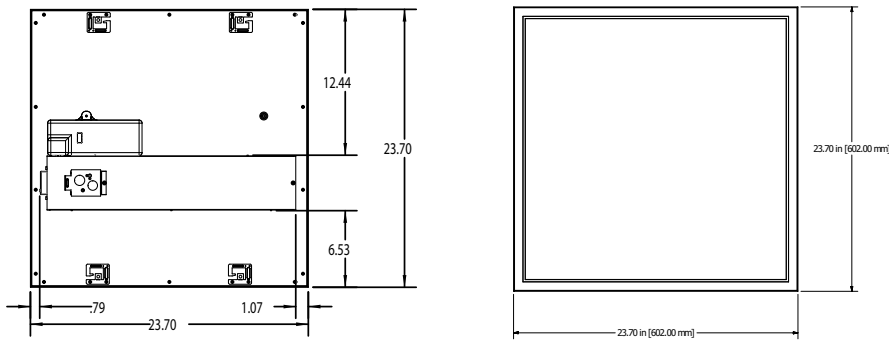
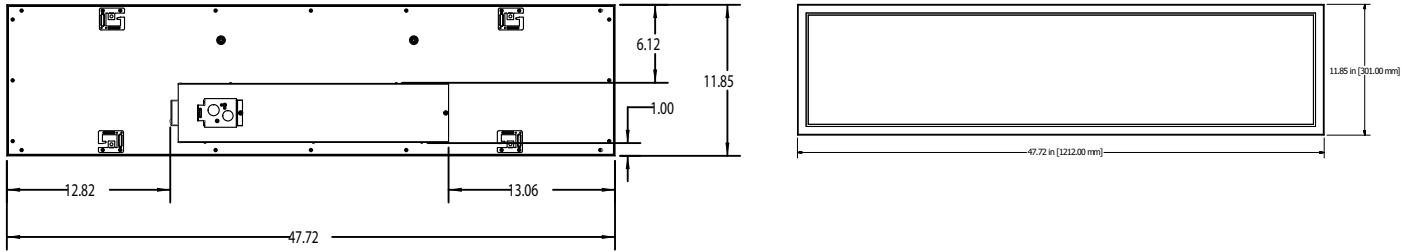
EPANL 22 34L 40K, 3479 delivered lumens, tested in accordance to IESNA LM-79.



EPANL 24 40L 40K, 4351 delivered lumens, tested in accordance to IESNA LM-79.



DIMENSIONS



MOUNTING DATA

Suspension Kit Ceiling Types:

F1 for use with most T-bar and screw slot grid ceiling applications. Designed for on-grid and off-grid installations.

F2 for use with recessed or surface-mount horizontal J-box applications.

Example Configurations: PANLACG36 F1, PANLAGF36 F2, PANLAGE72 F1, etc.

For 2X2 and 1X4, use two kits per fixture. Single kit utilizes "Y" split cable to allow for connection with 2 suspension points on one end of the fixture.

For 2X4 fixtures, use four kits per fixture. Single cable to allow for connection with single suspension point of the four on the fixture.