

## DESCRIPTION:

The ET400ATSB is a Non-IC, AIR-TITE™ housing designed for use with small aperture trims. The shallow height allows it to be used in spaces where vertical height is limited. For use in non-insulated ceilings. If ceiling insulation is present, it must be kept 3" from the fixtures on all sides.

Catalog #		Type
Project		
Comments		Date
Prepared by		

## SPECIFICATION FEATURES

### Housing

Die-formed CRS with powder coat finish.

### Plaster Frame

- Housing is secured in plaster frame with spring bars.
- The housing can be adjusted in the plaster frame.
- The housing can be removed from the plaster frame to provide access to the junction box.

### Junction Box

- Positioned to accommodate straight conduit runs.
- Seven conduit knockouts are uniform 1/2" size with true pry-out slots.
- Four pry-outs with integral strain relief simplify "NM" non-metallic sheathed cable installation.
- Three quick connect wire connectors included.

### ALL-NAIL™ BAR HANGERS

Bar Hanger features include:

- Pre-installed nail.
- Mini leveling foot aligns the housing to the bottom of the joist.
- Housing can be positioned at any point within 24" joist spans
- Score lines allow tool-free shortening for narrow joist spacing.
- Bar hangers may be repositioned 90° on plaster frame
- Integral T-bar clip snaps onto T-bars – no additional clips are required

### Socket

Adjustable position bracket with porcelain socket and nickel plated brass screw shell provides flexibility in lamp positioning.

### Thermal Protector

Thermal protector deactivates fixture if overheating occurs due to improper lamping or misapplied insulation.

### Labels

- UL/cUL Listed 1598 Luminaire
- UL/cUL Listed for Damp Location
- UL/cUL Listed for Feed Through
- UL/cUL Listed for Wet Location, covered ceiling
- Certified Under ASTM-E283 for air tight construction



## ET400ATSB

**4" Non-Insulated**

**Ceiling**

**AIR-TITE™**

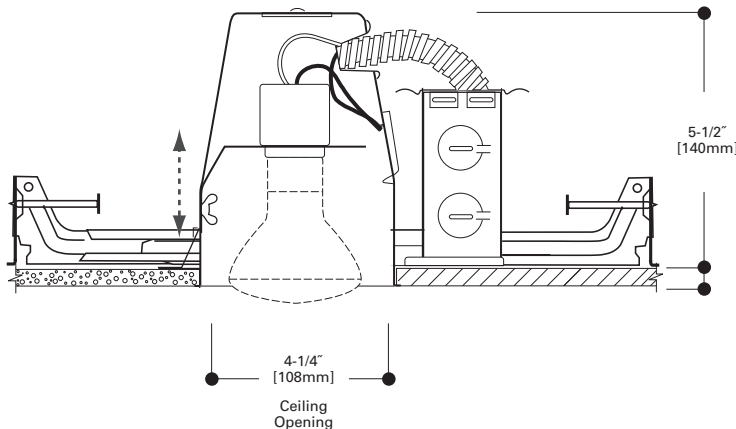
**Recessed Housing**

**with Adjustable Socket**

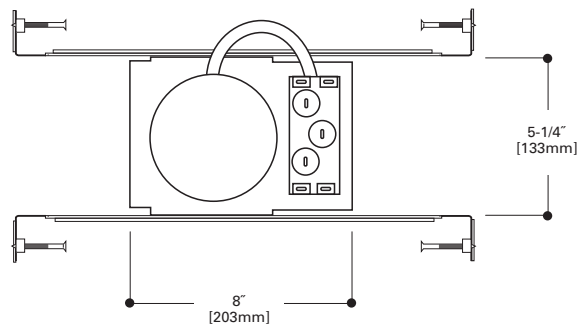
**Bracket**

**4" TRIMS**

**FOR USE IN NON-INSULATED CEILINGS OR INSULATED CEILINGS BUT INSULATION MUST BE KEPT 3" FROM ALL SIDES OF FIXTURE**



**ADJUSTABLE SOCKET**



*air-tite*™

**ALL-PRO**  
**ALL-NAIL**

*Quick Connect*™

## TRIMS

## ORDERING INFORMATION

SAMPLE NUMBER: ET400ATSB-ERT403

Order housing, and trim separately.

## Housing



ET400ATSB=4" AIR-TITE™

Non-Insulated Ceiling  
Small Aperture  
Housing with  
Adjustable Socket  
Bracket

## Trims



ERT403

**Clear Reflector Cone****50W R20, 40W A19, 40W R16**ERT403=Specular Clear Reflector, Gloss White Trim Ring  
OD: 4 3/4" (120mm)

ERT401

**Baffle****50W PAR20, 50W R20, 40W R16**ERT401=Black Plastic Baffle, Gloss White Trim Ring  
ERT401WHT=White Plastic Baffle with Gloss White Trim Ring  
OD: 4 3/4" (120mm)

ERT410WHT

**White Metal Baffle****50W PAR20, 50W R20, 40W R16**ERT410WHT=Gloss White Metal Baffle, Gloss White Trim Ring  
OD: 5" (127mm)

ERT410

**Black Metal Baffle****50W PAR20, 50W R20, 40W R16**ERT410=Black Metal Baffle, Gloss White Trim Ring  
OD: 5" (127mm)

ERT402

**Eyeball****40W R16, 60W PAR16**ERT402=Gloss White Eyeball  
OD: 4 3/4" (120mm)

ERT455

**Prismatic Glass Lens Shower Light****50W PAR20, 50W R20, 40W A19**ERT455=Shower Light, Gloss White Trim Ring,  
Prismatic Flat Glass Lens  
OD: 4 3/4" (120mm)

## DESCRIPTION:

The ET400ATSB is a Non-IC, AIR-TITE™ housing designed for use with small aperture trims. The shallow height allows it to be used in spaces where vertical height is limited. For use in non-insulated ceilings. If ceiling insulation is present, it must be kept 3" from the fixtures on all sides.

Catalog #		Type
Project		
Comments		Date
Prepared by		

## SPECIFICATION FEATURES

### Housing

Die-formed CRS with powder coat finish.

### Plaster Frame

- Housing is secured in plaster frame with spring bars.
- The housing can be adjusted in the plaster frame.
- The housing can be removed from the plaster frame to provide access to the junction box.

### Junction Box

- Positioned to accommodate straight conduit runs.
- Seven conduit knockouts are uniform 1/2" size with true pry-out slots.
- Four pry-outs with integral strain relief simplify "NM" non-metallic sheathed cable installation.
- Three quick connect wire connectors included.

### ALL-NAIL™ BAR HANGERS

Bar Hanger features include:

- Pre-installed nail.
- Mini leveling foot aligns the housing to the bottom of the joist.
- Housing can be positioned at any point within 24" joist spans
- Score lines allow tool-free shortening for narrow joist spacing.
- Bar hangers may be repositioned 90° on plaster frame
- Integral T-bar clip snaps onto T-bars – no additional clips are required

### Socket

Adjustable position bracket with porcelain socket and nickel plated brass screw shell provides flexibility in lamp positioning.

### Thermal Protector

Thermal protector deactivates fixture if overheating occurs due to improper lamping or misapplied insulation.

### Labels

- UL/cUL Listed 1598 Luminaire
- UL/cUL Listed for Damp Location
- UL/cUL Listed for Feed Through
- UL/cUL Listed for Wet Location, covered ceiling
- Certified Under ASTM-E283 for air tight construction



## ET400ATSB

**4" Non-Insulated**

**Ceiling**

**AIR-TITE™**

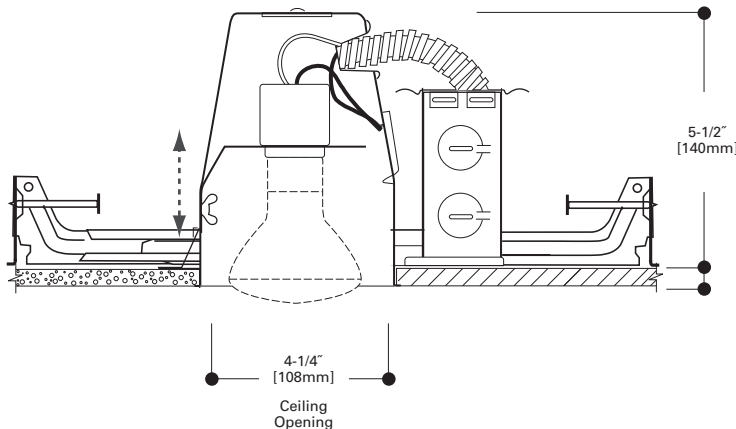
**Recessed Housing**

**with Adjustable Socket**

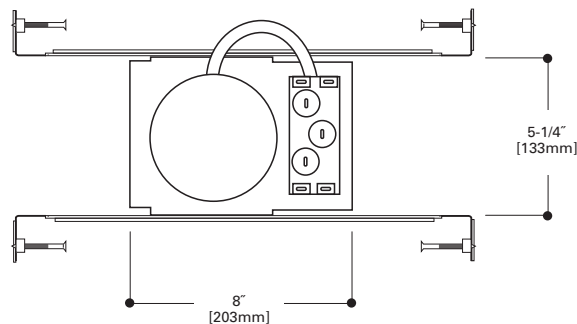
**Bracket**

**4" TRIMS**

**FOR USE IN NON-INSULATED CEILINGS OR INSULATED CEILINGS BUT INSULATION MUST BE KEPT 3" FROM ALL SIDES OF FIXTURE**



**ADJUSTABLE SOCKET**



## TRIMS

## ORDERING INFORMATION

SAMPLE NUMBER: ET400ATSB-ERT403

Order housing, and trim separately.

## Housing



ET400ATSB=4" AIR-TITE™

Non-Insulated Ceiling  
Small Aperture  
Housing with  
Adjustable Socket  
Bracket

## Trims



ERT403

**Clear Reflector Cone****50W R20, 40W A19, 40W R16**ERT403=Specular Clear Reflector, Gloss White Trim Ring  
OD: 4 3/4" (120mm)

ERT401

**Baffle****50W PAR20, 50W R20, 40W R16**ERT401=Black Plastic Baffle, Gloss White Trim Ring  
ERT401WHT=White Plastic Baffle with Gloss White Trim Ring  
OD: 4 3/4" (120mm)

ERT410WHT

**White Metal Baffle****50W PAR20, 50W R20, 40W R16**ERT410WHT=Gloss White Metal Baffle, Gloss White Trim Ring  
OD: 5" (127mm)

ERT410

**Black Metal Baffle****50W PAR20, 50W R20, 40W R16**ERT410=Black Metal Baffle, Gloss White Trim Ring  
OD: 5" (127mm)

ERT402

**Eyeball****40W R16, 60W PAR16**ERT402=Gloss White Eyeball  
OD: 4 3/4" (120mm)

ERT455

**Prismatic Glass Lens Shower Light****50W PAR20, 50W R20, 40W A19**ERT455=Shower Light, Gloss White Trim Ring,  
Prismatic Flat Glass Lens  
OD: 4 3/4" (120mm)