

Vertical/Horizontal Sealing Fittings — 25%

Type EYA
Female/Female

Type EYAM
Male/Female

Use:

To seal conduits in vertical or horizontal runs. To minimize the passage of gases and vapors and prevent the passage of flames from one portion of the electrical system to another through the conduit.

Features:

- Threaded for Rigid Conduit or IMC
- Female/Female and/or Male/Female
- Tapered threads (NPT)
- 25% conductor fill
- For 40% conductor fill, see EYAX on pg. BA7.
- Sealing Compound and Fiber - see pg. BA13.
- EYAM style supplied with removable close nipple

Material/Finish:

Malleable Iron/Zinc Electroplate

Optional Finish:


Hot Dip or Mechanical Galvanized.
Add suffix "G" to standard catalog number.
All sizes of plugs are Mechanical Galvanized.
Contact your local representative for pricing and availability.

Optional Material:

For Aluminum Sealing Fittings, see page BB1.

Third Party Certification:

 UL Listed: E-34997

 CSA Certified: 009795
Suitable for wet locations.
(Specific items where noted)

UL Listed using: O-Z/Gedney EYC sealing compound or Crouse-Hinds Chico compound in these fitting.

CSA Certified using any manufacturer's CSA certified sealing compound.

½" - 1" EYA/EYAM

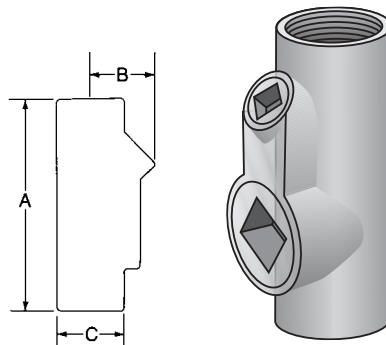
- Class I, Div. 1, 2, Groups A, B, C, D
- Class I, Zone 1, 2, Groups IIA, IIB, IIC
- Class II, Div. 1, 2, Groups E, F, G
- Class III

1¼" - 2" EYA/EYAM

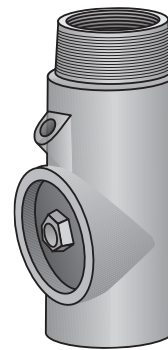
- Class I, Div. 1, 2, Groups C, D
- Class I, Zone 1, 2, Groups IIA, IIB
- Class II, Div. 1, 2, Groups E, F, G
- Class III

2½" - 4" EYA/EYAM

- Class I, Div. 1, 2, Groups B, C, D
- Class I, Zone 1, 2, Groups IIA, IIB + H₂
- Class II, Div. 1, 2, Groups E, F, G
- Class III



Type EYA-50—EYA 600
Female/Female



Type EYAM-50—EYAM 600
Male/Female

Trade Size (inches)	Catalog Number	Dimensions in Inches			Sealing Compound Required	Approx. Amt. Fiber/Hub Required
		(A) Overall Length	(B) Turning Radius	(C) Body Diameter		
½	EYA-50	3¼	1¼	1⅞	¼ oz	½ oz
¾	EYA-75	3⅞	1⅞	1¼	1½ oz	⅞ oz
1	EYA-100	4⅞	1¾	1⅞	2¼ oz	⅞ oz
1¼	EYA-125*	5⅞	2	1⅞	6 oz	¼ oz
1½	EYA-150	5½	2¼	2	9 oz	½ oz
2	EYA-200	6¼	2¾	2⅞	15 oz	1 oz
2½	EYA-250	7¼	3¼	2¼	1 lb 3oz	1½ oz
3	EYA-300	8¼	3⅞	3⅞	1 lb 8oz	2 oz
3½	EYA-350	8⅞	4⅞	3½	3 lb 0oz	3 oz
4	EYA-400	9½	5	3¾	4 lb 8oz	4½ oz
5	EYA-500	11⅞	6⅞	7⅞	11 lb 8oz	7 oz
6	EYA-600	12⅞	7⅞	8⅞	18 lb 8oz	10 oz
½	EYAM-50	4¼	1¼	1⅞	¼ oz	½ oz
¾	EYAM-75	4⅞	1⅞	1¼	1½ oz	⅞ oz
1	EYAM-100	4⅞	1¾	1⅞	2¼ oz	⅞ oz
1¼	EYAM-125*	5⅞	2	1⅞	6 oz	¼ oz
1½	EYAM-150	6¼	2¼	2	9 oz	½ oz
2	EYAM-200	7	2¾	2⅞	15 oz	1 oz
2½	EYAM-250	8½	3¼	2¼	1 lb 3oz	1½ oz
3	EYAM-300	9¼	3⅞	3⅞	1 lb 8oz	2 oz
3½	EYAM-350	10⅞	4⅞	3½	3 lb 0oz	3 oz
4	EYAM-400	11	5	3¾	4 lb 8oz.	4½ oz
5	EYAM-500	13⅞	6⅞	7⅞	11lb 8oz.	7 oz
6	EYAM-600	14	7⅞	8⅞	18lb 8 oz	10 oz

* Not CSA Listed

5" - 6" EYA/EYAM

- Class I, Div. 1, 2, Groups C, D
- Class I, Zone 1, 2, Groups IIA, IIB
- Class II, Div. 1, 2, Groups E, F, G
- Class III

Applicable Third Party Standards:

- UL Standard: 886
- CSA Standard: C22.2 No. 30
- NEC Articles 500-503 & 505
- Mil. Spec: Mil-F-28675

Vertical/Horizontal Sealing Fittings — 25%

Type EYA
Female/Female

Type EYAM
Male/Female

Use:

To seal conduits in vertical or horizontal runs. To minimize the passage of gases and vapors and prevent the passage of flames from one portion of the electrical system to another through the conduit.

Features:

- Threaded for Rigid Conduit or IMC
- Female/Female and/or Male/Female
- Tapered threads (NPT)
- 25% conductor fill
- For 40% conductor fill, see EYAX on pg. BA7.
- Sealing Compound and Fiber - see pg. BA13.
- EYAM style supplied with removable close nipple

Material/Finish:

Malleable Iron/Zinc Electroplate

Optional Finish:


Hot Dip or Mechanical Galvanized.
Add suffix "G" to standard catalog number.
All sizes of plugs are Mechanical Galvanized.
Contact your local representative for pricing and availability.

Optional Material:

For Aluminum Sealing Fittings, see page BB1.

Third Party Certification:

 UL Listed: E-34997

 CSA Certified: 009795
Suitable for wet locations.
(Specific items where noted)

UL Listed using: O-Z/Gedney EYC sealing compound or Crouse-Hinds Chico compound in these fitting.

CSA Certified using any manufacturer's CSA certified sealing compound.

½" - 1" EYA/EYAM

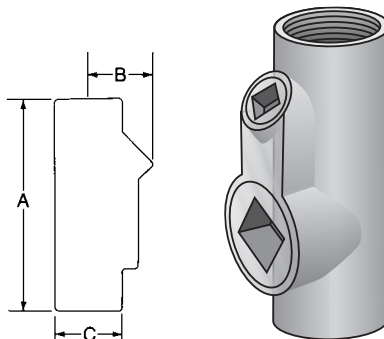
- Class I, Div. 1, 2, Groups A, B, C, D
- Class I, Zone 1, 2, Groups IIA, IIB, IIC
- Class II, Div. 1, 2, Groups E, F, G
- Class III

1¼" - 2" EYA/EYAM

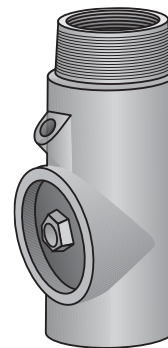
- Class I, Div. 1, 2, Groups C, D
- Class I, Zone 1, 2, Groups IIA, IIB
- Class II, Div. 1, 2, Groups E, F, G
- Class III

2½" - 4" EYA/EYAM

- Class I, Div. 1, 2, Groups B, C, D
- Class I, Zone 1, 2, Groups IIA, IIB + H₂
- Class II, Div. 1, 2, Groups E, F, G
- Class III



Type EYA-50—EYA 600
Female/Female



Type EYAM-50—EYAM 600
Male/Female

Trade Size (inches)	Catalog Number	Dimensions in Inches			Sealing Compound Required	Approx. Amt. Fiber/Hub Required
		(A) Overall Length	(B) Turning Radius	(C) Body Diameter		
½	EYA-50	3¾	1¼	1⅞	¾ oz	⅓ oz
¾	EYA-75	3⅞	1⅞	1¼	1½ oz	⅓ oz
1	EYA-100	4⅞	1¾	1⅞	2¼ oz	⅓ oz
1¼	EYA-125*	5⅞	2	1⅞	6 oz	⅓ oz
1½	EYA-150	5½	2¼	2	9 oz	½ oz
2	EYA-200	6¼	2¼	2⅞	15 oz	1 oz
2½	EYA-250	7¼	3¼	2¼	1 lb 3oz	1½ oz
3	EYA-300	8¼	3⅞	3⅞	1 lb 8oz	2 oz
3½	EYA-350	8⅞	4⅞	3½	3 lb 0oz	3 oz
4	EYA-400	9½	5	3¾	4 lb 8oz	4½ oz
5	EYA-500	11⅞	6⅞	7⅞	11 lb 8oz	7 oz
6	EYA-600	12⅞	7⅞	8⅞	18 lb 8oz	10 oz
½	EYAM-50	4¼	1¼	1⅞	¾ oz	⅓ oz
¾	EYAM-75	4⅞	1⅞	1¼	1½ oz	⅓ oz
1	EYAM-100	4⅞	1¾	1⅞	2¼ oz	⅓ oz
1¼	EYAM-125*	5⅞	2	1⅞	6 oz	⅓ oz
1½	EYAM-150	6¼	2¼	2	9 oz	½ oz
2	EYAM-200	7	2¼	2⅞	15 oz	1 oz
2½	EYAM-250	8½	3¼	2¼	1 lb 3oz	1½ oz
3	EYAM-300	9¼	3⅞	3⅞	1 lb 8oz	2 oz
3½	EYAM-350	10⅞	4⅞	3½	3 lb 0oz	3 oz
4	EYAM-400	11	5	3¾	4 lb 8oz.	4½ oz
5	EYAM-500	13⅞	6⅞	7⅞	11lb 8oz.	7 oz
6	EYAM-600	14	7⅞	8⅞	18lb 8 oz	10 oz

* Not CSA Listed

5" - 6" EYA/EYAM

- Class I, Div. 1, 2, Groups C, D
- Class I, Zone 1, 2, Groups IIA, IIB
- Class II, Div. 1, 2, Groups E, F, G
- Class III

Applicable Third Party Standards:

- UL Standard: 886
- CSA Standard: C22.2 No. 30
- NEC Articles 500-503 & 505
- Mil. Spec: Mil-F-28675