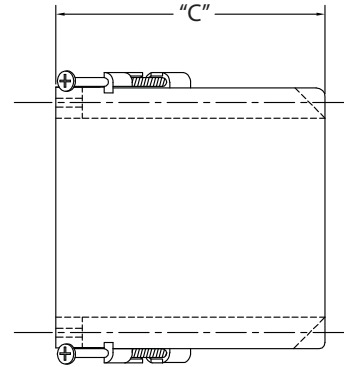
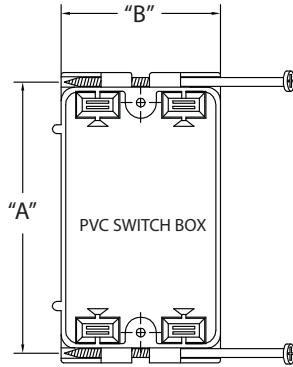


EZ BOX® Single Gang Nail On Residential Box



Four knockouts

Enhanced angled nails for quick mounting between studs.

16 Cubic Inch

Part Number	Carton Quantity	"A"	"B"	"C"
EZ16SNW	100	3.813	2.250	2.500

Dimensions are nominal

20.3 Cubic Inch

Part Number	Carton Quantity	"A"	"B"	"C"
EZ20SNW	100	3.875	2.250	3.125

Dimensions are nominal

18 Cubic Inch

Part Number	Carton Quantity	"A"	"B"	"C"
EZ18SNW	100	3.875	2.250	2.875

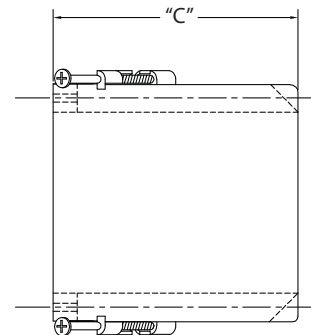
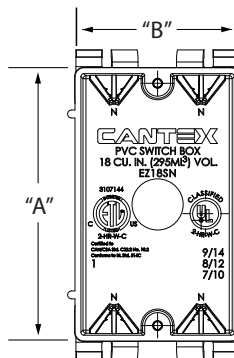
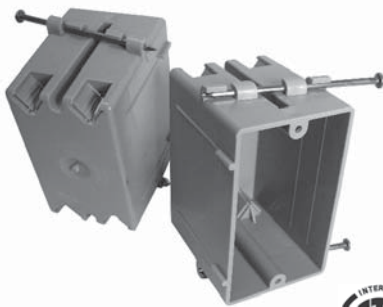
Dimensions are nominal

23 Cubic Inch

Part Number	Carton Quantity	"A"	"B"	"C"
EZ23SNW	100	3.875	2.259	3.500

Dimensions are nominal

EZ BOX® Single Gang Nail On Residential Box



Four clamps

Enhanced angled nails for quick mounting between studs.

18 Cubic Inch

Part Number	Carton Quantity	"A"	"B"	"C"
EZ18SN	100	3.700	2.250	2.840
EZ18SNV	25	3.700	2.250	2.840

Dimensions are nominal

20.3 Cubic Inch

Part Number	Carton Quantity	"A"	"B"	"C"
EZ20SN	100	3.700	2.250	3.130
EZ20SNV	25	3.700	2.250	3.130

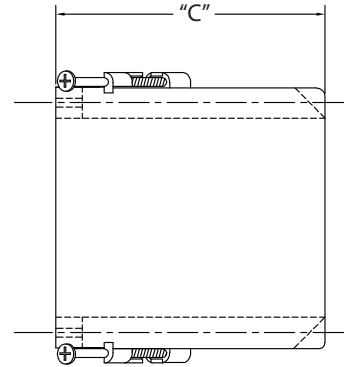
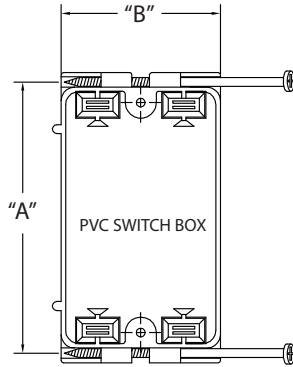
Dimensions are nominal

23 Cubic Inch

Part Number	Carton Quantity	"A"	"B"	"C"
EZ23SN	100	3.700	2.250	3.600
EZ23SNV	25	3.700	2.250	3.600

Dimensions are nominal

EZ BOX® Single Gang Nail On Residential Box



Four knockouts

Enhanced angled nails for quick mounting between studs.

16 Cubic Inch

Part Number	Carton Quantity	"A"	"B"	"C"
EZ16SNW	100	3.813	2.250	2.500

Dimensions are nominal

20.3 Cubic Inch

Part Number	Carton Quantity	"A"	"B"	"C"
EZ20SNW	100	3.875	2.250	3.125

Dimensions are nominal

18 Cubic Inch

Part Number	Carton Quantity	"A"	"B"	"C"
EZ18SNW	100	3.875	2.250	2.875

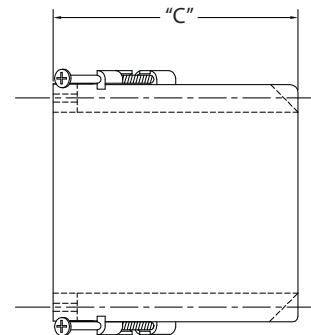
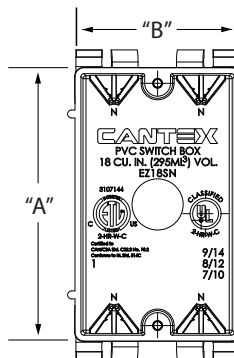
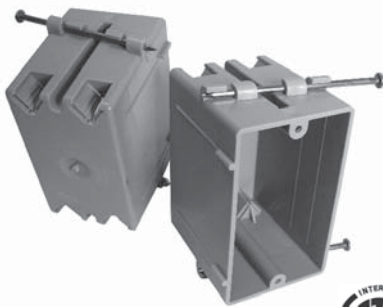
Dimensions are nominal

23 Cubic Inch

Part Number	Carton Quantity	"A"	"B"	"C"
EZ23SNW	100	3.875	2.259	3.500

Dimensions are nominal

EZ BOX® Single Gang Nail On Residential Box



Four clamps

Enhanced angled nails for quick mounting between studs.

18 Cubic Inch

Part Number	Carton Quantity	"A"	"B"	"C"
EZ18SN	100	3.700	2.250	2.840
EZ18SNV	25	3.700	2.250	2.840

Dimensions are nominal

20.3 Cubic Inch

Part Number	Carton Quantity	"A"	"B"	"C"
EZ20SN	100	3.700	2.250	3.130
EZ20SNV	25	3.700	2.250	3.130

Dimensions are nominal

23 Cubic Inch

Part Number	Carton Quantity	"A"	"B"	"C"
EZ23SN	100	3.700	2.250	3.600
EZ23SNV	25	3.700	2.250	3.600

Dimensions are nominal