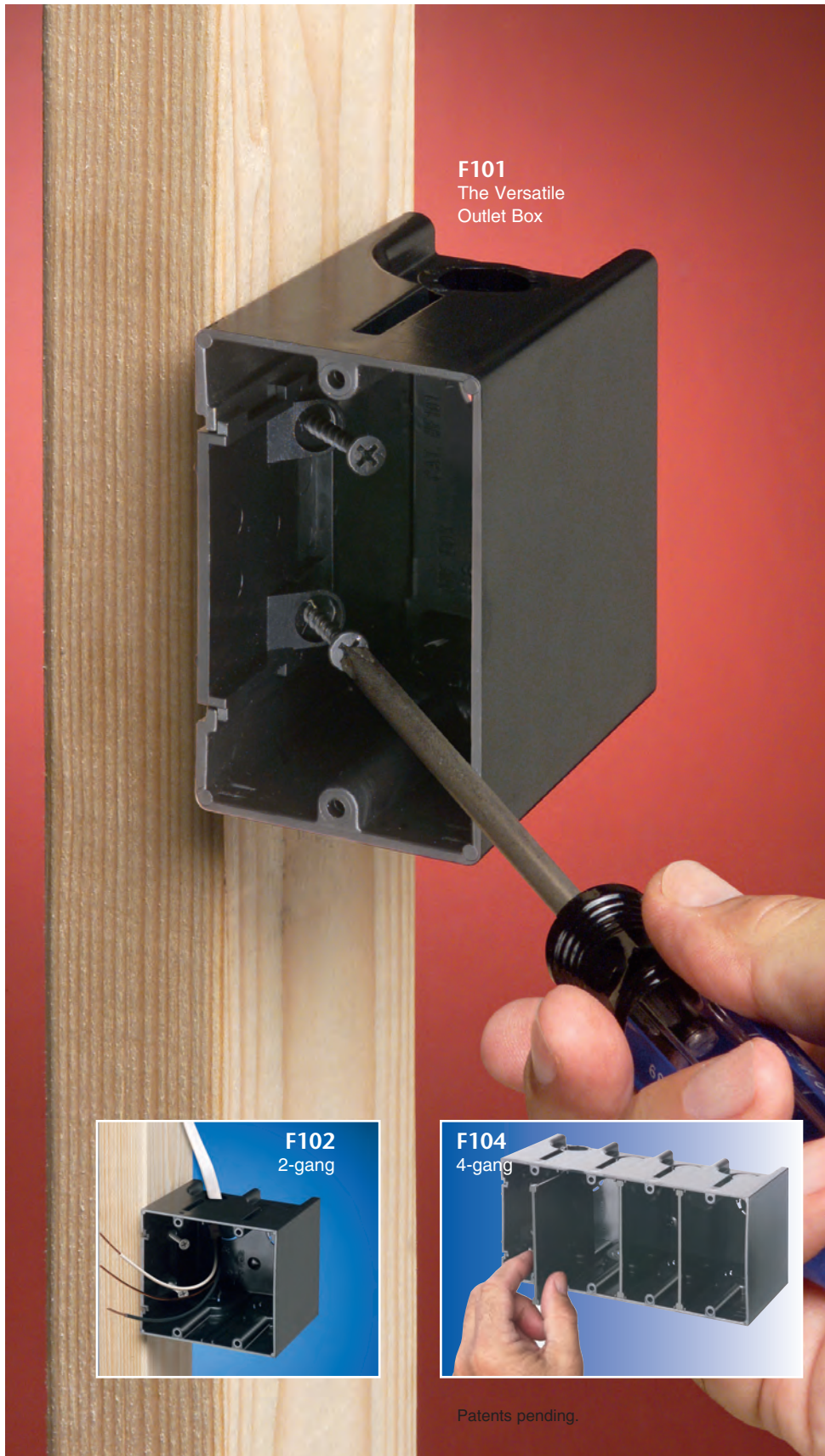


ONE-BOX™ Non-Metallic Outlet Boxes

NEW SIZES
Available

The Versatile Outlet Box for New or Old Work



F101
The Versatile
Outlet Box



F102
2-gang



F104
4-gang

Patents pending.

Fast and easy to install, Arlington's versatile outlet box is the **ONE-BOX™** for new or old work.

It mounts directly to a wood or steel stud for a super secure installation.

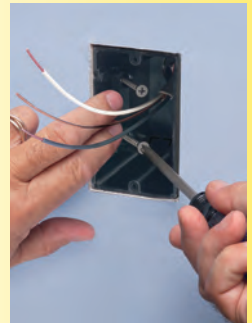
Angled screws inside the ONE-BOX affix it firmly to the stud. It has no wings so there's no wobble.

NEW WORK

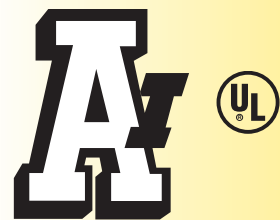
ONE-BOX set too far forward or back? No problem. Back the screws out and adjust it.

OLD WORK

ONE-BOX provides a secure installation. It mounts directly to the stud, not just the drywall.



- Extra-large cubic inch capacity
- cULus Listed
- Single gang (horizontal and vertical) and multiple gang styles
- For power and low voltage applications with the F102D voltage separator installed
- Installed NM cable connector



Arlington

1 Stauffer Industrial Park
Scranton, PA 18517

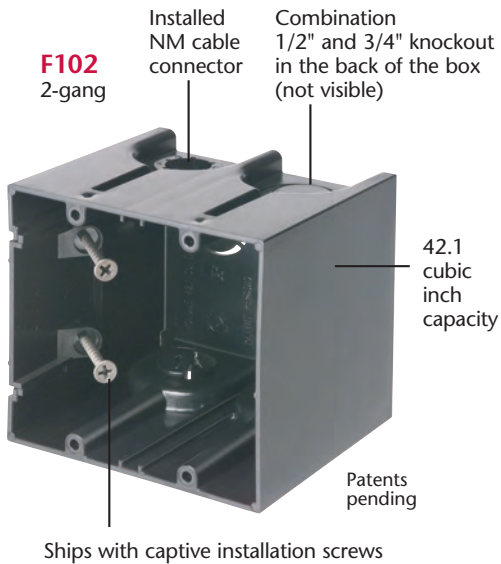
800/233.4717

Fax 570/562.0646

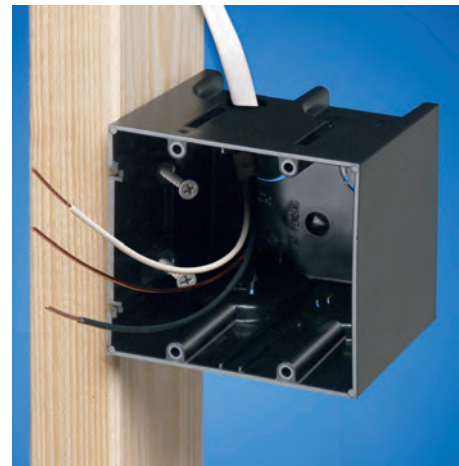
www.aifittings.com

ONE-BOX™ Non-Metallic Outlet Boxes

Secure Installation • Mounts Directly to a Wood or Steel Stud



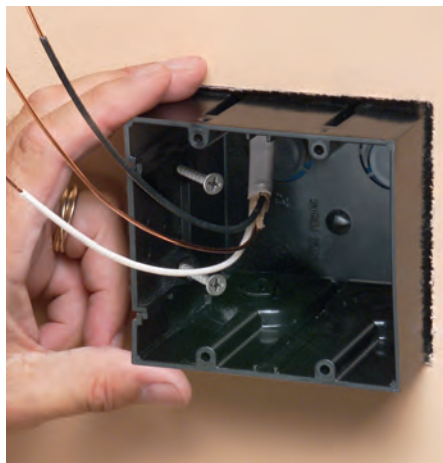
1 Attach ONE-BOX to wood or steel stud with captive installation screws. If the box is too far forward or back, simply back the screws out and reposition it.



2 Pull wire through the connector. (ships with installed NM cable connector)



1 For old work, position ONE-BOX adjacent to stud. Use box as the template to cut hole.



2 Pull wire. Insert ONE-BOX.



3 Mount ONE-BOX directly to stud with shipped in place screws.

Catalog Number	UPC/DEI/NAED Mfg. #018997	Description Non-Metallic Outlet Box	Cubic Inch Capacity	Unit Pkg	Std Pkg
F101	43626	Single gang Vertical	22.0	50	50
F102	43640	2-gang	42.1	25	25
F103	43641	3-gang	61.2	20	20
F104	43642	4-gang	80.5	20	20
F102D	43544	Separator		25	25
F101H	43641	Single gang Horizontal	22.0	20	20



Arlington
 1 Stauffer Industrial Park
 Scranton, PA 18517
 800/233.4717
 Fax 570/562.0646
 www.aifittings.com



Distributed by

ONE-BOX™ Non-Metallic Outlet Boxes

NEW SIZES
Available

The Versatile Outlet Box for New or Old Work



F101
The Versatile
Outlet Box



F102
2-gang



F104
4-gang

Patents pending.

Fast and easy to install, Arlington's versatile outlet box is the **ONE-BOX™** for new or old work.

It mounts directly to a wood or steel stud for a super secure installation.

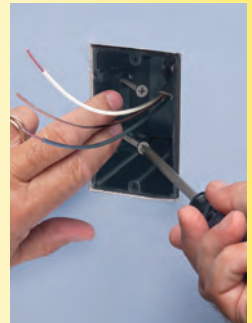
Angled screws inside the ONE-BOX affix it firmly to the stud. It has no wings so there's no wobble.

NEW WORK

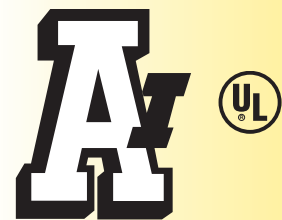
ONE-BOX set too far forward or back? No problem. Back the screws out and adjust it.

OLD WORK

ONE-BOX provides a secure installation. It mounts directly to the stud, not just the drywall.



- Extra-large cubic inch capacity
- cULus Listed
- Single gang (horizontal and vertical) and multiple gang styles
- For power and low voltage applications with the F102D voltage separator installed
- Installed NM cable connector



Arlington

1 Stauffer Industrial Park
Scranton, PA 18517

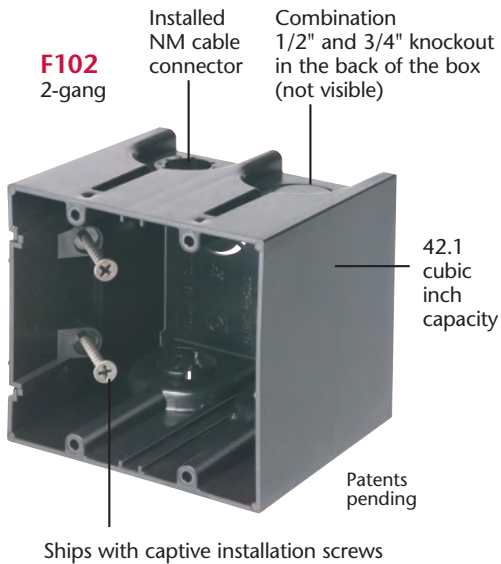
800/233.4717

Fax 570/562.0646

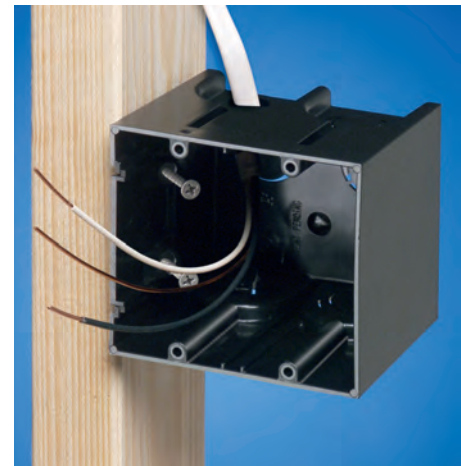
www.aifittings.com

ONE-BOX™ Non-Metallic Outlet Boxes

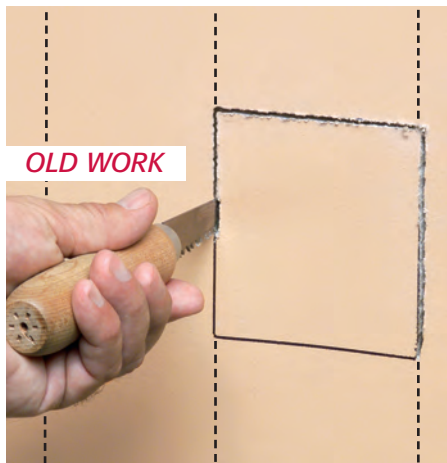
Secure Installation • Mounts Directly to a Wood or Steel Stud



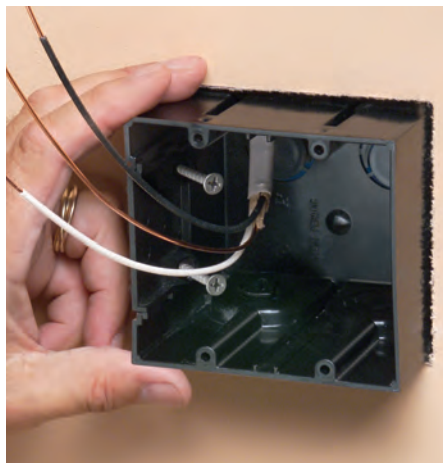
1 Attach ONE-BOX to wood or steel stud with captive installation screws. If the box is too far forward or back, simply back the screws out and reposition it.



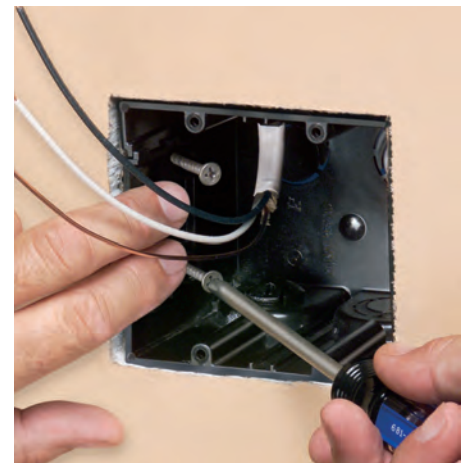
2 Pull wire through the connector. (ships with installed NM cable connector)



1 For old work, position ONE-BOX adjacent to stud. Use box as the template to cut hole.



2 Pull wire. Insert ONE-BOX.



3 Mount ONE-BOX directly to stud with shipped in place screws.

Catalog Number	UPC/DEI/NAED Mfg. #018997	Description Non-Metallic Outlet Box	Cubic Inch Capacity	Unit Pkg	Std Pkg
F101	43626	Single gang Vertical	22.0	50	50
F102	43640	2-gang	42.1	25	25
F103	43641	3-gang	61.2	20	20
F104	43642	4-gang	80.5	20	20
F102D	43544	Separator		25	25
F101H	43641	Single gang Horizontal	22.0	20	20



Arlington

1 Stauffer Industrial Park
Scranton, PA 18517
800/233.4717
Fax 570/562.0646
www.aifittings.com



Distributed by