

**Miniature Circuit Breakers FAZ-NA**  
15 kA IEC; 10 kA UL/CSA, Characteristic C

SG11805



| Rated current I <sub>n</sub> (A) | Type Designation | Article No. | Units per package |
|----------------------------------|------------------|-------------|-------------------|
| <b>1-pole</b>                    |                  |             |                   |
| 0.5                              | FAZ-C0,5/1-NA    | 102077      | 2 / 80            |
| 1                                | FAZ-C1/1-NA      | 102078      | 2 / 80            |
| 1.5                              | FAZ-C1,5/1-NA    | 102079      | 2 / 80            |
| 2                                | FAZ-C2/1-NA      | 102080      | 2 / 80            |
| 3                                | FAZ-C3/1-NA      | 102081      | 2 / 80            |
| 4                                | FAZ-C4/1-NA      | 102082      | 2 / 80            |
| 5                                | FAZ-C5/1-NA      | 102083      | 2 / 80            |
| 6                                | FAZ-C6/1-NA      | 102084      | 2 / 80            |
| 7                                | FAZ-C7/1-NA      | 102085      | 2 / 80            |
| 8                                | FAZ-C8/1-NA      | 102086      | 2 / 80            |
| 10                               | FAZ-C10/1-NA     | 102087      | 2 / 80            |
| 13                               | FAZ-C13/1-NA     | 102088      | 2 / 80            |
| 15                               | FAZ-C15/1-NA     | 102089      | 2 / 80            |
| 16                               | FAZ-C16/1-NA     | 102090      | 2 / 80            |
| 20                               | FAZ-C20/1-NA     | 102091      | 2 / 80            |
| 25                               | FAZ-C25/1-NA     | 102092      | 2 / 80            |
| 30                               | FAZ-C30/1-NA     | 102093      | 2 / 80            |
| 32                               | FAZ-C32/1-NA     | 102094      | 2 / 80            |
| 35                               | FAZ-C35/1-NA     | 102095      | 2 / 80            |
| 40                               | FAZ-C40/1-NA     | 102096      | 2 / 80            |

SG12105



|               |               |        |        |
|---------------|---------------|--------|--------|
| <b>2-pole</b> |               |        |        |
| 0.5           | FAZ-C0,5/2-NA | 102157 | 1 / 40 |
| 1             | FAZ-C1/2-NA   | 102158 | 1 / 40 |
| 1.5           | FAZ-C1,5/2-NA | 102159 | 1 / 40 |
| 2             | FAZ-C2/2-NA   | 102160 | 1 / 40 |
| 3             | FAZ-C3/2-NA   | 102161 | 1 / 40 |
| 4             | FAZ-C4/2-NA   | 102162 | 1 / 40 |
| 5             | FAZ-C5/2-NA   | 102163 | 1 / 40 |
| 6             | FAZ-C6/2-NA   | 102164 | 1 / 40 |
| 7             | FAZ-C7/2-NA   | 102165 | 1 / 40 |
| 8             | FAZ-C8/2-NA   | 102166 | 1 / 40 |
| 10            | FAZ-C10/2-NA  | 102167 | 1 / 40 |
| 13            | FAZ-C13/2-NA  | 102168 | 1 / 40 |
| 15            | FAZ-C15/2-NA  | 102169 | 1 / 40 |
| 16            | FAZ-C16/2-NA  | 102170 | 1 / 40 |
| 20            | FAZ-C20/2-NA  | 102171 | 1 / 40 |
| 25            | FAZ-C25/2-NA  | 102172 | 1 / 40 |
| 30            | FAZ-C30/2-NA  | 102173 | 1 / 40 |
| 32            | FAZ-C32/2-NA  | 102174 | 1 / 40 |
| 35            | FAZ-C35/2-NA  | 102175 | 1 / 40 |
| 40            | FAZ-C40/2-NA  | 102176 | 1 / 40 |

SG12205



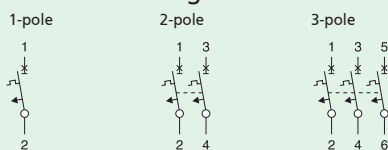
|               |               |        |        |
|---------------|---------------|--------|--------|
| <b>3-pole</b> |               |        |        |
| 0.5           | FAZ-C0,5/3-NA | 102237 | 1 / 28 |
| 1             | FAZ-C1/3-NA   | 102238 | 1 / 28 |
| 1.5           | FAZ-C1,5/3-NA | 102239 | 1 / 28 |
| 2             | FAZ-C2/3-NA   | 102240 | 1 / 28 |
| 3             | FAZ-C3/3-NA   | 102241 | 1 / 28 |
| 4             | FAZ-C4/3-NA   | 102242 | 1 / 28 |
| 5             | FAZ-C5/3-NA   | 102243 | 1 / 28 |
| 6             | FAZ-C6/3-NA   | 102244 | 1 / 28 |
| 7             | FAZ-C7/3-NA   | 102245 | 1 / 28 |
| 8             | FAZ-C8/3-NA   | 102246 | 1 / 28 |
| 10            | FAZ-C10/3-NA  | 102247 | 1 / 28 |
| 13            | FAZ-C13/3-NA  | 102248 | 1 / 28 |
| 15            | FAZ-C15/3-NA  | 102249 | 1 / 28 |
| 16            | FAZ-C16/3-NA  | 102250 | 1 / 28 |
| 20            | FAZ-C20/3-NA  | 102251 | 1 / 28 |
| 25            | FAZ-C25/3-NA  | 102252 | 1 / 28 |
| 30            | FAZ-C30/3-NA  | 102253 | 1 / 28 |
| 32            | FAZ-C32/3-NA  | 102254 | 1 / 28 |
| 35            | FAZ-C35/3-NA  | 102255 | 1 / 28 |
| 40            | FAZ-C40/3-NA  | 102256 | 1 / 28 |

## Miniature Circuit Breakers FAZ-NA, FAZ-RT

### Accessories:

|                                                    |             |
|----------------------------------------------------|-------------|
| Tripping signal switch for subsequent installation | Z-NHK       |
| Shunt trip release                                 | FAZ-XAA-NA  |
| Busbar-System                                      | Z-SV/UL-16/ |

### Connection diagrams



### Technical Data

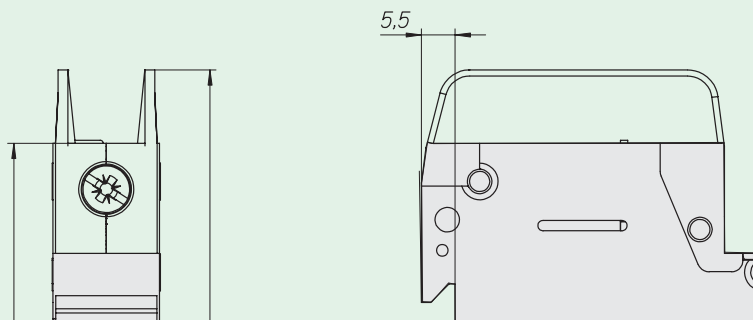
#### Electrical

|                         |                                                                                                           |
|-------------------------|-----------------------------------------------------------------------------------------------------------|
| Design according to     | UL 489, CSA C22.2 No.5, IEC 60947-2                                                                       |
| Rated voltage           | UL/CSA 0.5 - 25 A 277/480Y VAC<br>UL/CSA 32 - 40 A 240 VAC<br>UL/CSA (per pole) 48 VDC<br>IEC 240/415 VAC |
| Rated frequency         | 50/60 Hz                                                                                                  |
| Rated breaking capacity | UL/CSA 10 kA<br>IEC 15 kA                                                                                 |
| Characteristic          | C, D                                                                                                      |
| Endurance               | ≥ 20,000 operations                                                                                       |
| Line voltage connection | optional suitable for reverse feed                                                                        |

#### Mechanical

|                           |                                                              |
|---------------------------|--------------------------------------------------------------|
| Frame size                | 45 mm                                                        |
| Device height             | 105 mm                                                       |
| Device width              | 17.7 mm per pole                                             |
| Mounting                  | quick fastening with 2 lock-in positions on IEC/EN 60715     |
| Upper and lower terminals | open mouth/lift terminals                                    |
| Terminal capacity         | 1 Wire AWG 18-6<br>2 Wires AWG 18-10                         |
| Terminal fastening torque | AWG 18-21: 21 lb-in<br>AWG 10-8: 25 lb-in<br>AWG 6: 36 lb-in |
| Mounting                  | independent of position                                      |
| Calibration temperature   | UL 489, CSA C22.2 No.5 40°C<br>IEC 60947-2 30°C              |

### Dimensions (mm)



### Power loss at $I_n$

#### Characteristic C

|           | 1p    | 2p    | 3p    |
|-----------|-------|-------|-------|
| $I_n$ [A] | P [W] | P [W] | P [W] |
| 0.5       | 1.6   | 3.2   | 4.7   |
| 1         | 1.1   | 2.2   | 3.4   |
| 1.5       | 1.3   | 2.6   | 3.9   |
| 2         | 1.4   | 2.8   | 4.3   |
| 3         | 1.2   | 2.4   | 3.6   |
| 4         | 1.4   | 2.9   | 4.3   |
| 5         | 1.9   | 3.7   | 5.6   |
| 6         | 1.2   | 2.3   | 3.5   |
| 7         | 1.4   | 2.8   | 4.3   |
| 8         | 1.4   | 2.8   | 4.2   |
| 10        | 1.8   | 3.6   | 5.3   |
| 13        | 2.4   | 4.7   | 7.1   |
| 15        | 1.9   | 3.8   | 5.6   |
| 16        | 2.1   | 4.3   | 6.4   |
| 20        | 2.9   | 5.8   | 8.7   |
| 25        | 3.1   | 6.2   | 9.3   |
| 30        | 3.0   | 6.0   | 9.0   |
| 32        | 3.4   | 6.8   | 10.2  |
| 35        | 3.7   | 7.4   | 11.0  |
| 40        | 4.0   | 8.1   | 12.1  |

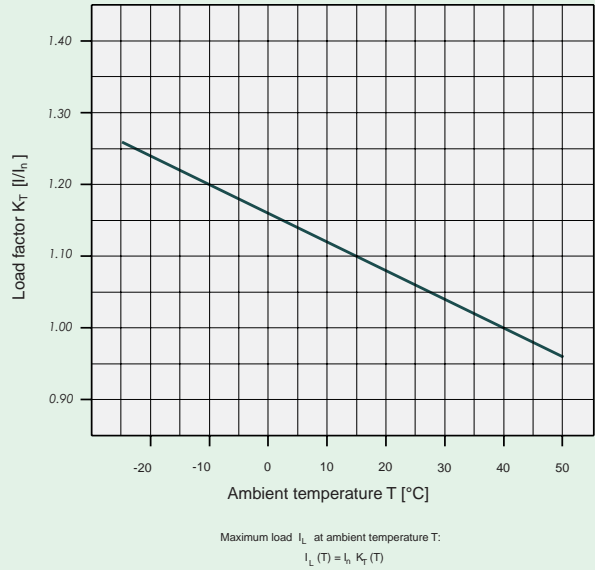
#### Characteristic D

|           | 1p    | 2p    | 3p    |
|-----------|-------|-------|-------|
| $I_n$ [A] | P [W] | P [W] | P [W] |
| 0.5       | 1.6   | 3.2   | 4.8   |
| 1         | 0.8   | 1.5   | 2.3   |
| 1.5       | 1.0   | 2.1   | 3.1   |
| 2         | 1.0   | 2.1   | 3.1   |
| 3         | 1.2   | 2.4   | 3.6   |
| 4         | 1.4   | 2.9   | 4.3   |
| 5         | 1.5   | 2.9   | 4.4   |
| 6         | 1.2   | 2.3   | 3.5   |
| 7         | 1.4   | 2.8   | 4.3   |
| 8         | 1.2   | 2.4   | 3.7   |
| 10        | 1.5   | 3.0   | 4.5   |
| 13        | 2.0   | 4.1   | 6.1   |
| 15        | 1.5   | 3.1   | 4.6   |
| 16        | 1.7   | 3.5   | 5.2   |
| 20        | 1.8   | 3.7   | 5.5   |
| 25        | 2.6   | 5.1   | 7.7   |
| 30        | 2.7   | 5.4   | 8.1   |
| 32        | 3.1   | 6.2   | 9.3   |
| 35        | 3.8   | 7.6   | 11.3  |
| 40        | 3.9   | 7.8   | 11.6  |

### Tripping Characteristics



### Influence of ambient temperature T on load carrying capacity



### Let-through Energy

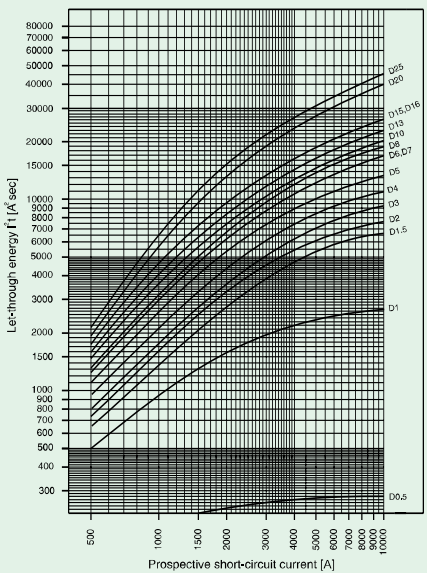
Characteristic C (0.5-20A), 277V



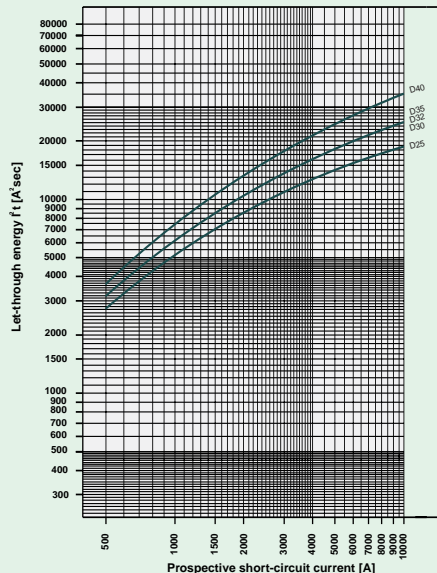
Characteristic C (25-40A), 240V



Characteristic D (0.5-20A), 277V



Characteristic D (25-40A), 240V



For Moeller Electric Sales and Support call [KMparts.com](http://KMparts.com) (866) 595-9616