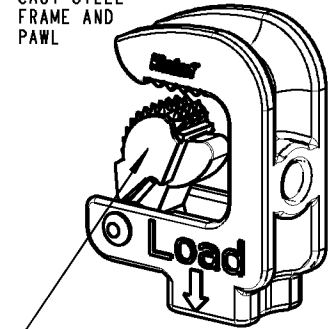


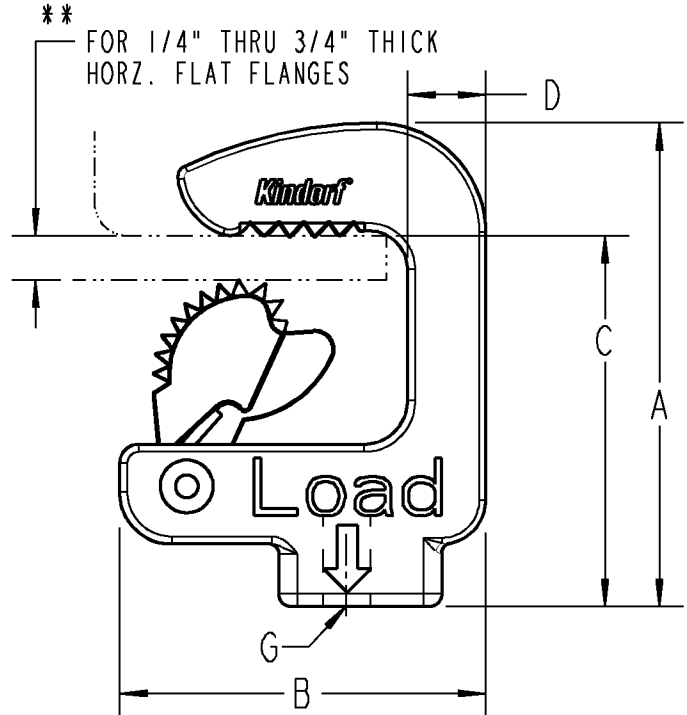
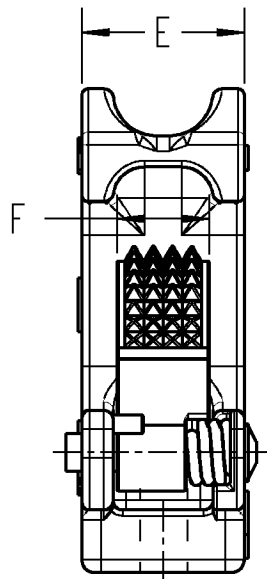
# Kindorf

## FBC Series Fast Set Beam Clamp

CAST STEEL  
FRAME AND  
PAWL



SPRING-LOADED PAWL PIVOTS  
TO MAINTAIN CONTACT WITH  
BEAM FLANGE



CAT. NO.	* DESIGN LOAD (LBS)	ROD SIZE	DIM A	DIM B	DIM C	DIM D	DIM E	DIM F	DIM G	** FLAT FLANGE THICKNESS (IN)
FBC1	250	1/4	2.28	1.50	1.75	.35	.72	.42	1/4"-20UNC -2B	1/4" - 5/8"
FBC2	600	3/8	2.52	1.60	1.94	.41	.85	.48	3/8"-16UNC -2B	1/4" - 5/8"
FBC3	1000	1/2	3.04	2.02	2.25	.53	1.11	.62	1/2"-13UNC -2B	1/4" - 3/4"

- \* 1. The Design Load rating can only be applied at the threaded hole location G, in a vertical load application only.  
2. FBC series Beam Clamps are not designed for sideways or inclined load applications.

### FEATURES:

- QUICK AND EASY INSTALLATION.
- ALL STEEL CONSTRUCTION. CAST-STEEL FRAME AND PAWL. ZINC-PLATED.
- 3:1 FACTOR OF SAFETY
- SPRING-LOADED PAWL ALLOWS CLAMP TO BE INSTALLED AND POSITIONED BEFORE SECURING IN PLACE WITHOUT CONCERN OF FALLING OFF BEAM,
- THE CLAMP IS SECURED IN PLACE FROM THE BOTTOM USING AN ALL-THREAD ROD/BOLT AND NUT SYSTEM (NOT INCLUDED). TIGHTENING THE ROD AGAINST THE BACK OF THE PAWL FORCES THE CLAMP TO BE PROPERLY SECURED TO BEAM FLANGE.
- TEXTURED PORTION OF CLAMP BODY AND PAWL HELP TO MAINTAIN SECURENESS AND PREVENT MOVEMENT ONCE PROPERLY SECURED IN PLACE.
- \*\*  FITS 1/4" THRU 3/4" FLANGE THICKNESS (SEE CHART).

NOTE: TO BE USED ON FLAT HORIZONTAL FLANGES ONLY - DO NOT USE ON SLOPED OR ANGLED SURFACES.



### GENERAL NOTES

1. ALL DIMENSIONS ARE FOR REFERENCE ONLY.
2. DIMENSIONS IN BRACKETS [ ] ARE IN METRIC UNITS.

www.tnb.com

**Thomas & Betts**  
A Member of the ABB Group

### REVISIONS

- |   |   |
|---|---|
| 1 | SEE ERN 2017283 FOR APPROVAL SIGNATURES & RELEASE DATE.<br>PROJECT NO: 004M001003 |
|---|---|

DESCRIPTION:

**CAST-STEEL FBC SERIES  
FAST SET BEAM CLAMP**

ORIGINAL PROJECT NO / ( ERN NO )

XD55856 / ( 2011897 )

SHEET NO:

1 OF 1

REV. NO:

1

DRAWING NO:

WSD-000578