

# Condulet® Single Gang Device Boxes - Cast Iron or Aluminum

Accessories  
see pages 37–45

## With and Without Mounting Lugs for Threaded Rigid and IMC Conduit

### Applications:

- Cast device boxes are installed to:
- Accommodate wiring devices
  - Act as pull boxes for conductors in a conduit system
  - Provide openings to make splices and taps in conductors
  - Provide access to conductors for maintenance and future system changes
  - Connect conduit sections
  - FSY boxes for mounting surface devices on floor or bench (used with single gang covers)

### Features:

- Internal green ground screw standard on boxes
- Suitable for use in wet locations when used with gasketed covers
- Mounting lugs standard on most boxes
- Tapered threaded hubs (NPT) with integral bushing
- Available for surface mounting (with mounting lugs) or flush mounting (without mounting lugs) as listed
- Available as shallow (FS) or deep (FD) configuration. Use FD if device to be enclosed exceeds 1<sup>5</sup>/<sub>8</sub>" in depth
- Ample wiring room provided in either FS or FD configuration
- Wide selection of surface or flush covers available in three materials (sheet steel, *Feraloy*®, aluminum)
- Covers for flush mounting extend to conceal the rough plaster line
- Available in single gang and multi-gang configurations with hubs, and as blank bodies for drilled and tapped openings

### Certifications and Compliances:

- UL Standard: 514
- ANSI Standard: C33.84
- Fed. Spec.: W-C-5860
- CSA Standard: C22.2 No. 18

### Standard Materials:

- *Feraloy* iron alloy or copper-free aluminum

### Standard Finishes:

- *Feraloy* – electrogalvanized and aluminum acrylic paint
- Aluminum – natural

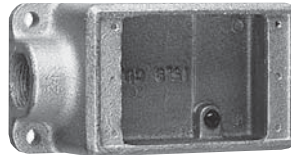
### Options:

| Description   | Suffix      |
|---|-------------|
| <b>Finishes:</b>  |             |
| <i>Corro-free</i> ™ epoxy powder coat - external body         | <b>S752</b> |
| <i>Corro-free</i> ™ epoxy powder coat - internal and external | <b>S753</b> |
| Hot dipped galvanized   | <b>HGD</b>  |

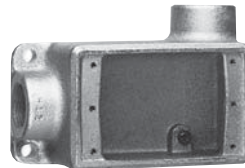
### Size Ranges:

- Hubs – 1/2" to 1"

### FS & FD



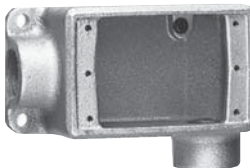
| Size | Cat. #      | Cat. #      |
|------|-------------|-------------|
| 1/2  | <b>FS1*</b> | <b>FD1†</b> |
| 3/4  | <b>FS2*</b> | <b>FD2†</b> |
| 1    | <b>FS3†</b> | <b>FD3†</b> |



| Size | Cat. #      | Cat. #      |
|------|-------------|-------------|
| 1/2  | <b>FSR1</b> | <b>FDR1</b> |
| 3/4  | <b>FSR2</b> | <b>FDR2</b> |



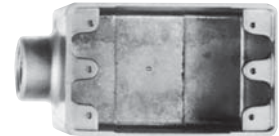
| Size | Cat. #       | Cat. #       |
|------|--------------|--------------|
| 1/2  | <b>FSC1*</b> | <b>FDC1†</b> |
| 3/4  | <b>FSC2*</b> | <b>FDC2†</b> |
| 1    | <b>FSC3†</b> | <b>FDC3†</b> |



| Size | Cat. #      | Cat. #        |
|------|-------------|---------------|
| 1/2  | <b>FSL1</b> | <b>FDL1</b>   |
| 3/4  | <b>FSL2</b> | <b>FDL2*†</b> |

\*Available in sand cast copper-free aluminum – add suffix SCA to Cat. No.  
†Available in sand cast copper-free aluminum – add suffix SA to Cat. No.

### Die Cast Aluminum‡



| Size | Cat. #        | Cat. #         |
|------|---------------|----------------|
| 1/2  | <b>FS1 SA</b> | <b>FSC1 SA</b> |
| 3/4  | <b>FS2 SA</b> | <b>FSC2 SA</b> |

‡Mounting lugs and ground screw are not offered with standard die cast aluminum box. For sand cast aluminum box with mounting lugs and ground screw, change "SA" in catalog number to "SCA" (Example: FS1 SCA).

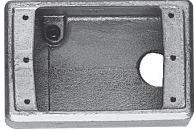
# Condulet® Single Gang Device Boxes - Cast Iron or Aluminum

Accessories  
see pages 37-45

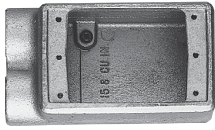
With and Without Mounting Lugs for  
Threaded Rigid and IMC Conduit

2F

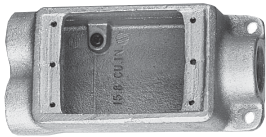
## FS & FD



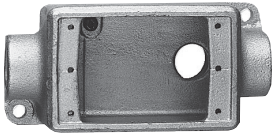
| Size | Cat. #† | Cat. #† |
|------|---------|---------|
| 1/2  | FSA1    | FDA1    |
| 3/4  | FSA2    | FDA2    |



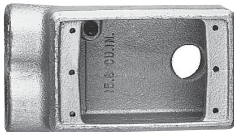
| Size | Cat. #† | Cat. #† |
|------|---------|---------|
| 1/2  | FSS1*   | FDD1    |
| 3/4  | FSS2*   | FDD2*   |
| 1    | FSS3    | FDD3    |



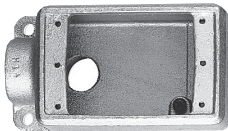
| Size | Cat. # | Cat. # |
|------|--------|--------|
| 1/2  | FSCC1  | FDCC1  |
| 3/4  | FSCC2  | FDCC2  |



| Size | Cat. # |
|------|--------|
| 1/2  | FSCA1  |
| 3/4  | FSCA2  |



| Size | Cat. #† |
|------|---------|
| 3/4  | FSSA2   |

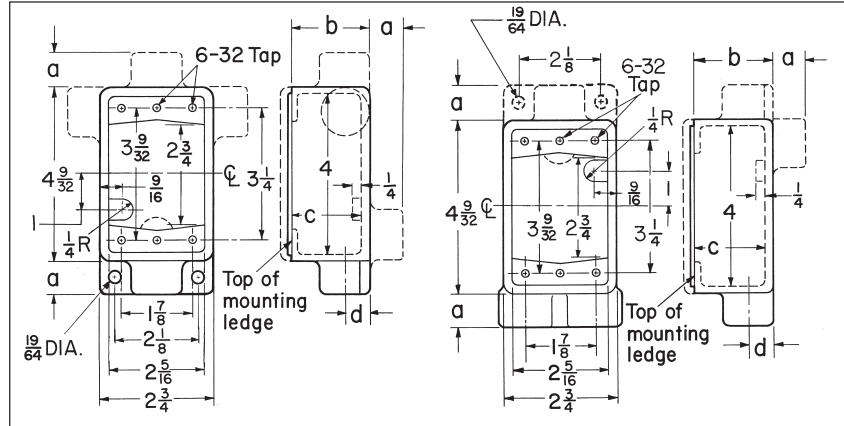


| Size | Cat. # | Cat. # |
|------|--------|--------|
| 1/2  | FSLA1  | FDLA1  |
| 3/4  | FSLA2  | FDLA2  |

\*Available in copper-free aluminum; add suffix "SA".  
†Mounting lugs not available.

## Dimensions

In Inches:



| Series | Hub Size | a   | b       | c       | d   |
|--------|----------|-----|---------|---------|-----|
| FS     | 1/2      | 7/8 | 1 7/8   | 1 11/16 | 5/8 |
|        | 3/4      | 7/8 | 1 7/8   | 1 11/16 | 3/4 |
|        | 1        | 1   | 1 7/8   | 1 11/16 | 7/8 |
| FD     | 1/2      | 7/8 | 2 11/16 | 2 1/2   | 5/8 |
|        | 3/4      | 7/8 | 2 11/16 | 2 1/2   | 3/4 |
|        | 1        | 1   | 2 11/16 | 2 1/2   | 7/8 |

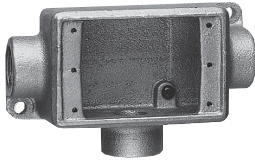
# Condulet® Single Gang Device Boxes - Cast Iron or Aluminum

Accessories  
see pages 37-45

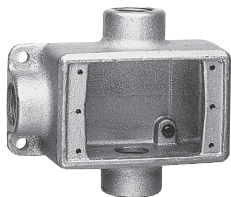
2F

With and Without Mounting Lugs for  
Threaded Rigid and IMC Conduit

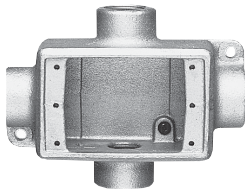
## FS & FD



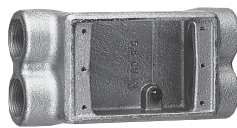
| Size | Cat. # | Cat. # |
|------|--------|--------|
| 1/2  | FSCT1  | FDCT1  |
| 3/4  | FSCT2* | FDCT2* |
| 1    | FSCT3  | FDCT3  |



| Size | Cat. # | Cat. # |
|------|--------|--------|
| 1/2  | FST1*  | FDT1   |
| 3/4  | FST2*  | FDT2   |
| 1    |        | FDT3   |



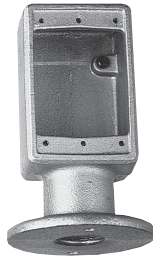
| Size | Cat. # | Cat. # |
|------|--------|--------|
| 1/2  | FSX1   | FDX1   |
| 3/4  | FSX2   | FDX2   |
| 1    |        | FDX3   |



| Size | Cat. #† |
|------|---------|
| 1/2  | FSCD1   |
| 3/4  | FSCD2   |

\*Available in copper-free aluminum; add suffix "SA".  
†6 Hubs - all 3/4" pipe tap.  
‡ Not available with mounting lugs.

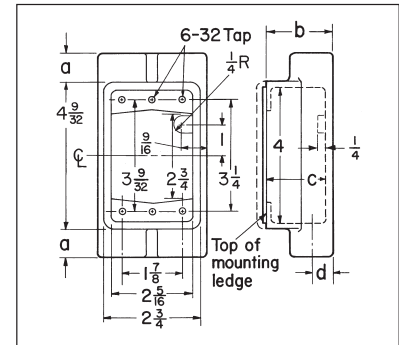
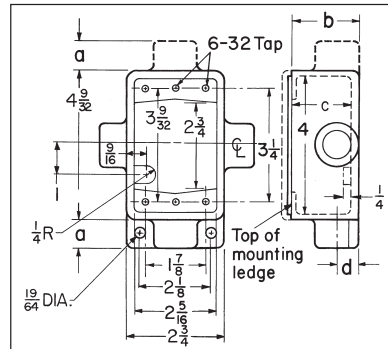
## FSY



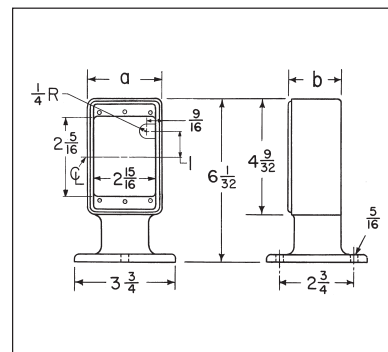
| Description | Hub Size | Cat. # ‡ |
|-------------|----------|----------|
| Single face | 1        | FSY311   |
| Double face | 1        | FSY312   |

## Dimensions

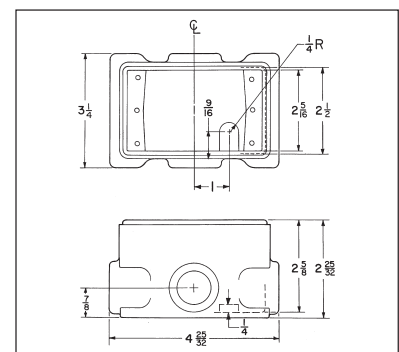
In Inches:



FSCT, FSX, FST, FSCD



FSY



FDXC

## FSCT, FSX, FST, FSCD

| Series | Hub Size | a   | b     | c       | d   |
|--------|----------|-----|-------|---------|-----|
| FS     | 1/2      | 7/8 | 1 7/8 | 1 11/16 | 5/8 |
|        | 3/4      | 7/8 | 1 7/8 | 1 11/16 | 3/4 |
|        | 1        | 1   | 1 7/8 | 1 11/16 | 7/8 |

## FSY

| Description              | Hub Size | a     | b       |
|--------------------------|----------|-------|---------|
| Single gang, single face | 1        | 2 3/4 | 1 15/16 |
| Single gang, double face | 1        | 2 3/4 | 3 3/8   |

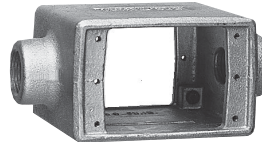
# 2F Condulet® Single Gang Device Boxes - Cast Iron or Aluminum

Accessories  
see pages 37–45

With and Without Mounting Lugs

2F

FS



### Double Face

| Size | Cat. #† |
|------|---------|
| 1/2  | FS152   |
| 3/4  | FS252   |

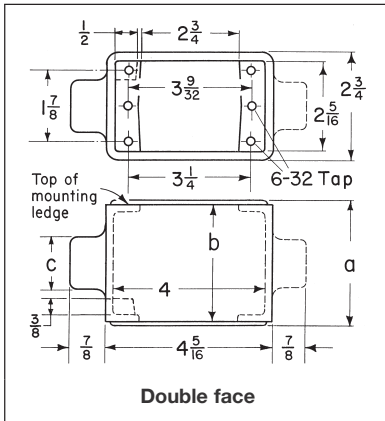
### Double Face

| Size | Cat. #† |
|------|---------|
| 1/2  | FSC152  |
| 3/4  | FSC252  |

†Mounting lugs not available.

### Dimensions

In Inches:



| Series | Hub Size | a       | b     | c     |
|--------|----------|---------|-------|-------|
| FS     | 1/2      | 3 5/16  | 3 1/8 | 1 1/4 |
|        | 3/4      | 3 11/16 | 3 1/2 | 1 1/2 |

# Condulet® Single Gang Device Boxes - Cast Iron or Aluminum

Accessories  
see pages 37–45

## With and Without Mounting Lugs for Threaded Rigid and IMC Conduit

### Applications:

- Cast device boxes are installed to:
- Accommodate wiring devices
  - Act as pull boxes for conductors in a conduit system
  - Provide openings to make splices and taps in conductors
  - Provide access to conductors for maintenance and future system changes
  - Connect conduit sections
  - FSY boxes for mounting surface devices on floor or bench (used with single gang covers)

### Features:

- Internal green ground screw standard on boxes
- Suitable for use in wet locations when used with gasketed covers
- Mounting lugs standard on most boxes
- Tapered threaded hubs (NPT) with integral bushing
- Available for surface mounting (with mounting lugs) or flush mounting (without mounting lugs) as listed
- Available as shallow (FS) or deep (FD) configuration. Use FD if device to be enclosed exceeds 1<sup>5</sup>/<sub>8</sub>" in depth
- Ample wiring room provided in either FS or FD configuration
- Wide selection of surface or flush covers available in three materials (sheet steel, *Feraloy*®, aluminum)
- Covers for flush mounting extend to conceal the rough plaster line
- Available in single gang and multi-gang configurations with hubs, and as blank bodies for drilled and tapped openings

### Certifications and Compliances:

- UL Standard: 514
- ANSI Standard: C33.84
- Fed. Spec.: W-C-5860
- CSA Standard: C22.2 No. 18

### Standard Materials:

- *Feraloy* iron alloy or copper-free aluminum

### Standard Finishes:

- *Feraloy* – electrogalvanized and aluminum acrylic paint
- Aluminum – natural

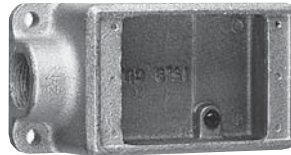
### Options:

| Description   | Suffix      |
|---|-------------|
| <b>Finishes:</b>  |             |
| <i>Corro-free</i> ™ epoxy powder coat - external body         | <b>S752</b> |
| <i>Corro-free</i> ™ epoxy powder coat - internal and external | <b>S753</b> |
| Hot dipped galvanized   | <b>HGD</b>  |

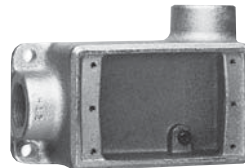
### Size Ranges:

- Hubs – 1/2" to 1"

### FS & FD



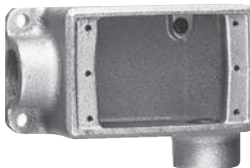
| Size | Cat. #      | Cat. #      |
|------|-------------|-------------|
| 1/2  | <b>FS1*</b> | <b>FD1†</b> |
| 3/4  | <b>FS2*</b> | <b>FD2†</b> |
| 1    | <b>FS3†</b> | <b>FD3†</b> |



| Size | Cat. #      | Cat. #      |
|------|-------------|-------------|
| 1/2  | <b>FSR1</b> | <b>FDR1</b> |
| 3/4  | <b>FSR2</b> | <b>FDR2</b> |



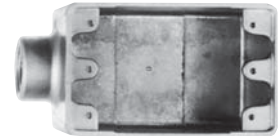
| Size | Cat. #       | Cat. #       |
|------|--------------|--------------|
| 1/2  | <b>FSC1*</b> | <b>FDC1†</b> |
| 3/4  | <b>FSC2*</b> | <b>FDC2†</b> |
| 1    | <b>FSC3†</b> | <b>FDC3†</b> |



| Size | Cat. #      | Cat. #        |
|------|-------------|---------------|
| 1/2  | <b>FSL1</b> | <b>FDL1</b>   |
| 3/4  | <b>FSL2</b> | <b>FDL2*†</b> |

\*Available in sand cast copper-free aluminum – add suffix SCA to Cat. No.  
†Available in sand cast copper-free aluminum – add suffix SA to Cat. No.

### Die Cast Aluminum‡



| Size | Cat. #        | Cat. #         |
|------|---------------|----------------|
| 1/2  | <b>FS1 SA</b> | <b>FSC1 SA</b> |
| 3/4  | <b>FS2 SA</b> | <b>FSC2 SA</b> |

‡Mounting lugs and ground screw are not offered with standard die cast aluminum box. For sand cast aluminum box with mounting lugs and ground screw, change "SA" in catalog number to "SCA" (Example: FS1 SCA).

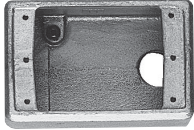
# Condulet® Single Gang Device Boxes - Cast Iron or Aluminum

Accessories  
see pages 37-45

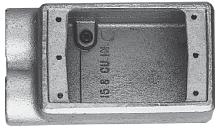
With and Without Mounting Lugs for  
Threaded Rigid and IMC Conduit

2F

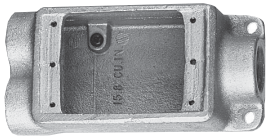
## FS & FD



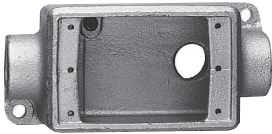
| Size | Cat. #† | Cat. #† |
|------|---------|---------|
| 1/2  | FSA1    | FDA1    |
| 3/4  | FSA2    | FDA2    |



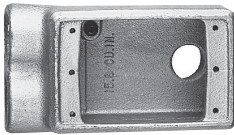
| Size | Cat. #† | Cat. #† |
|------|---------|---------|
| 1/2  | FSS1*   | FDD1    |
| 3/4  | FSS2*   | FDD2*   |
| 1    | FSS3    | FDD3    |



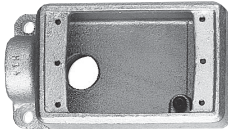
| Size | Cat. # | Cat. # |
|------|--------|--------|
| 1/2  | FSCC1  | FDCC1  |
| 3/4  | FSCC2  | FDCC2  |



| Size | Cat. # |
|------|--------|
| 1/2  | FSCA1  |
| 3/4  | FSCA2  |



| Size | Cat. #† |
|------|---------|
| 3/4  | FSSA2   |

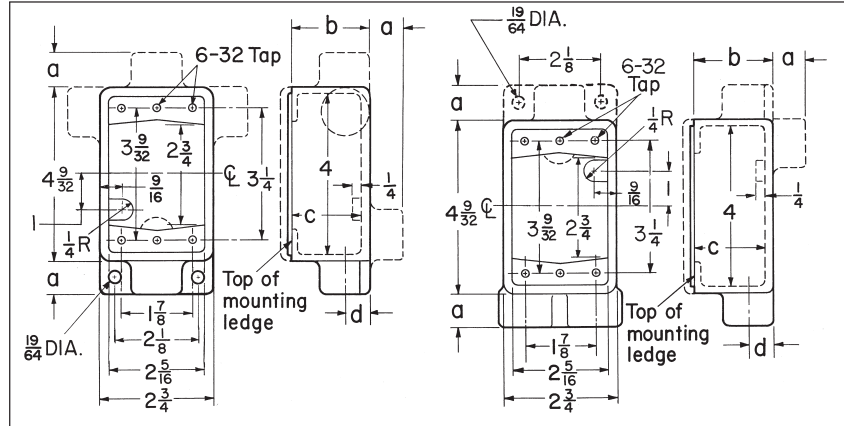


| Size | Cat. # | Cat. # |
|------|--------|--------|
| 1/2  | FSLA1  | FDLA1  |
| 3/4  | FSLA2  | FDLA2  |

\*Available in copper-free aluminum; add suffix "SA".  
†Mounting lugs not available.

## Dimensions

In Inches:



| Series | Hub Size | a   | b       | c       | d   |
|--------|----------|-----|---------|---------|-----|
| FS     | 1/2      | 7/8 | 1 7/8   | 1 11/16 | 5/8 |
|        | 3/4      | 7/8 | 1 7/8   | 1 11/16 | 3/4 |
|        | 1        | 1   | 1 7/8   | 1 11/16 | 7/8 |
| FD     | 1/2      | 7/8 | 2 11/16 | 2 1/2   | 5/8 |
|        | 3/4      | 7/8 | 2 11/16 | 2 1/2   | 3/4 |
|        | 1        | 1   | 2 11/16 | 2 1/2   | 7/8 |

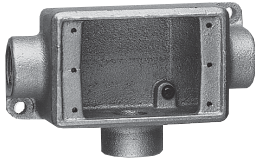
# Condulet® Single Gang Device Boxes - Cast Iron or Aluminum

Accessories  
see pages 37-45

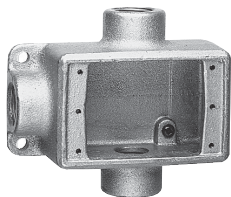
2F

With and Without Mounting Lugs for  
Threaded Rigid and IMC Conduit

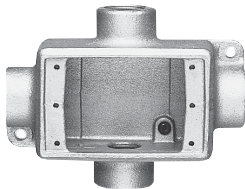
## FS & FD



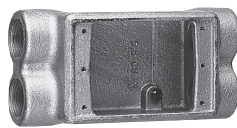
| Size | Cat. # | Cat. # |
|------|--------|--------|
| 1/2  | FSCT1  | FDCT1  |
| 3/4  | FSCT2* | FDCT2* |
| 1    | FSCT3  | FDCT3  |



| Size | Cat. # | Cat. # |
|------|--------|--------|
| 1/2  | FST1*  | FDT1   |
| 3/4  | FST2*  | FDT2   |
| 1    |        | FDT3   |



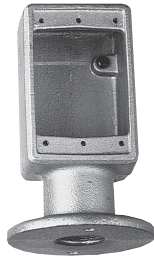
| Size | Cat. # | Cat. # |
|------|--------|--------|
| 1/2  | FSX1   | FDX1   |
| 3/4  | FSX2   | FDX2   |
| 1    |        | FDX3   |



| Size | Cat. #† |
|------|---------|
| 1/2  | FSCD1   |
| 3/4  | FSCD2   |

\*Available in copper-free aluminum; add suffix "SA".  
†6 Hubs - all 3/4" pipe tap.  
‡ Not available with mounting lugs.

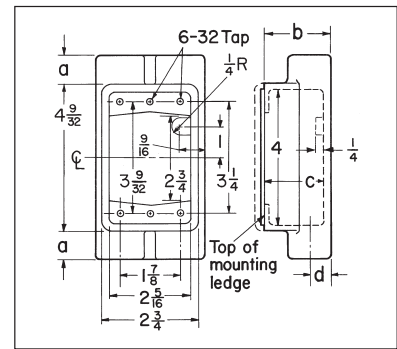
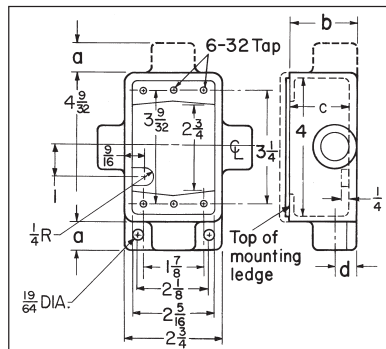
## FSY



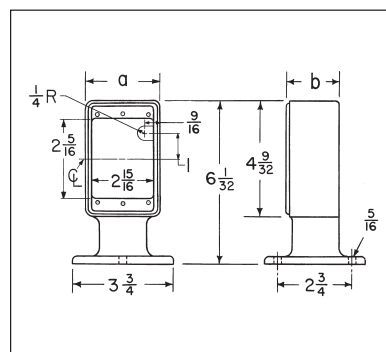
| Description | Hub Size | Cat. # ‡ |
|-------------|----------|----------|
| Single face | 1        | FSY311   |
| Double face | 1        | FSY312   |

## Dimensions

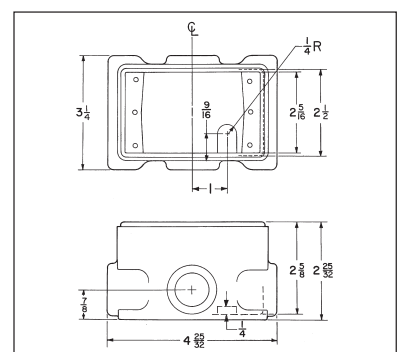
In Inches:



FSCT, FSX, FST, FSCD



FSY



FDXC

## FSCT, FSX, FST, FSCD

| Series | Hub Size | a   | b     | c       | d   |
|--------|----------|-----|-------|---------|-----|
| FS     | 1/2      | 7/8 | 1 7/8 | 1 11/16 | 5/8 |
|        | 3/4      | 7/8 | 1 7/8 | 1 11/16 | 3/4 |
|        | 1        | 1   | 1 7/8 | 1 11/16 | 7/8 |

## FSY

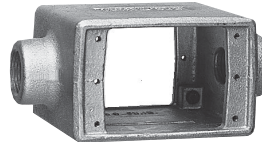
| Description              | Hub Size | a     | b       |
|--------------------------|----------|-------|---------|
| Single gang, single face | 1        | 2 3/4 | 1 15/16 |
| Single gang, double face | 1        | 2 3/4 | 3 3/8   |

# 2F Condulet® Single Gang Device Boxes - Cast Iron or Aluminum

Accessories  
see pages 37–45

With and Without Mounting Lugs

2F FS



### Double Face

| Size | Cat. #† |
|------|---------|
| 1/2  | FS152   |
| 3/4  | FS252   |

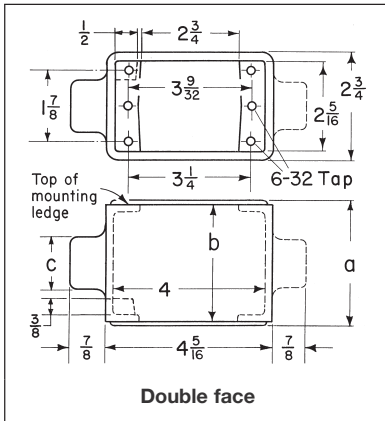
### Double Face

| Size | Cat. #† |
|------|---------|
| 1/2  | FSC152  |
| 3/4  | FSC252  |

†Mounting lugs not available.

### Dimensions

In Inches:



| Series | Hub Size | a       | b     | c     |
|--------|----------|---------|-------|-------|
| FS     | 1/2      | 3 5/16  | 3 1/8 | 1 1/4 |
|        | 3/4      | 3 11/16 | 3 1/2 | 1 1/2 |