

## FF Series Commercial Series

The FF Series Commercial Auto-Off Timers are designed to replace any standard wall switch - single or multi-gang. This series of energy-efficient mechanical timers do not require electricity to operate. In addition, they automatically limit the ON times for fans, lighting, motors, heaters, and other energy consuming loads.

### Features

- Hold feature enables the user to override the automatic shut-off function
- Rugged time dial plate easily withstands the abuse encountered in commercial environments
- Commercial “brushed metal” (plastic construction) look meets NEC requirements
- Time saving up front terminal connection with teeter-type terminals
- Press-on knob design ensures quick and easy installation
- CFL compatible

*Not for use with sunlamps, saunas, or loads that could cause personal injury if timed incorrectly.*

### Ratings

|             |   |
|-------------|---|
| Resistive:  | 20 Amp, 125 VAC, 50/60 Hz<br>10 Amp, 250 VAC, 50/60 Hz<br>10 Amp, 277 VAC, 50/60 Hz |
| Tungsten:   | 7 Amp, 125 VAC  |
| Motor:      | 1 HP, 120 VAC, 50/60 Hz<br>2 HP, 240 VAC, 50/60 Hz                                  |
| Dimensions: | 2.79" H x 1.6" W x 1.19" D  |

Project: \_\_\_\_\_

Location: \_\_\_\_\_

Product Type: \_\_\_\_\_

Contact/Phone: \_\_\_\_\_

Model #: \_\_\_\_\_



| Model Number | Time Cycle | Switch | Hold | Color                |
|--------------|------------|--------|------|----------------------|
| FF5M         | 5 Minutes  | SPST   | No   | Brushed Metal Finish |
| FF5MH        | 5 Minutes  | SPST   | Yes  | Brushed Metal Finish |
| FF15MC       | 15 Minutes | SPST   | No   | Brushed Metal Finish |
| FF15MH       | 15 Minutes | SPST   | Yes  | Brushed Metal Finish |
| FF30MC       | 30 Minutes | SPST   | No   | Brushed Metal Finish |
| FF30MH       | 30 Minutes | SPST   | Yes  | Brushed Metal Finish |
| FF60MC       | 60 Minutes | SPST   | No   | Brushed Metal Finish |
| FF60MHC      | 60 Minutes | SPST   | Yes  | Brushed Metal Finish |
| FF2H         | 2 Hours    | SPST   | No   | Brushed Metal Finish |
| FF4H         | 4 Hours    | SPST   | No   | Brushed Metal Finish |
| FF6H         | 6 Hours    | SPST   | No   | Brushed Metal Finish |
| FF6HH        | 6 Hours    | SPST   | Yes  | Brushed Metal Finish |
| FF12HC       | 12 Hours   | SPST   | No   | Brushed Metal Finish |
| FF12HHC      | 12 Hours   | SPST   | Yes  | Brushed Metal Finish |
| FF315M       | 15 Minutes | SPDT   | No   | Brushed Metal Finish |
| FF330M       | 30 Minutes | SPDT   | No   | Brushed Metal Finish |
| FF360M       | 60 Minutes | SPDT   | No   | Brushed Metal Finish |
| FF32H        | 2 Hours    | SPDT   | No   | Brushed Metal Finish |
| FF32HH       | 2 Hours    | SPDT   | Yes  | Brushed Metal Finish |
| FF34H        | 4 Hours    | SPDT   | No   | Brushed Metal Finish |
| FF34HH       | 4 Hours    | SPDT   | Yes  | Brushed Metal Finish |
| FF36H        | 6 Hours    | SPDT   | No   | Brushed Metal Finish |
| FF312H       | 12 Hours   | SPDT   | No   | Brushed Metal Finish |
| FF312HH      | 12 Hours   | SPDT   | Yes  | Brushed Metal Finish |
| FF415M       | 15 Minutes | DPST   | No   | Brushed Metal Finish |
| FF430M       | 30 Minutes | DPST   | No   | Brushed Metal Finish |
| FF460M       | 60 Minutes | DPST   | No   | Brushed Metal Finish |
| FF46H        | 6 Hours    | DPST   | No   | Brushed Metal Finish |
| FF412H       | 12 Hours   | DPST   | No   | Brushed Metal Finish |

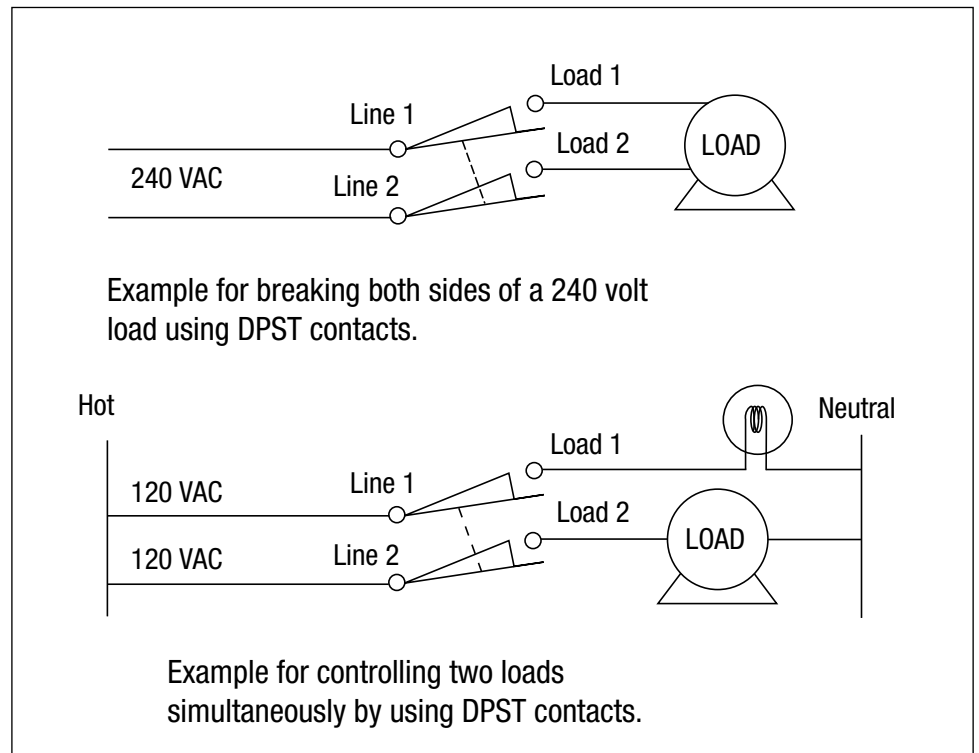
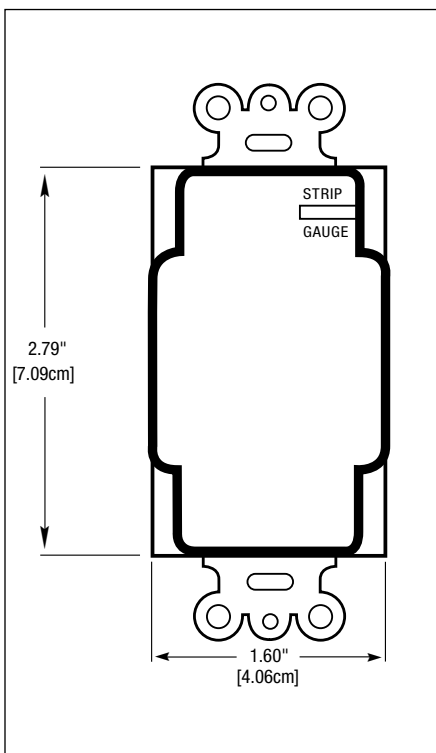
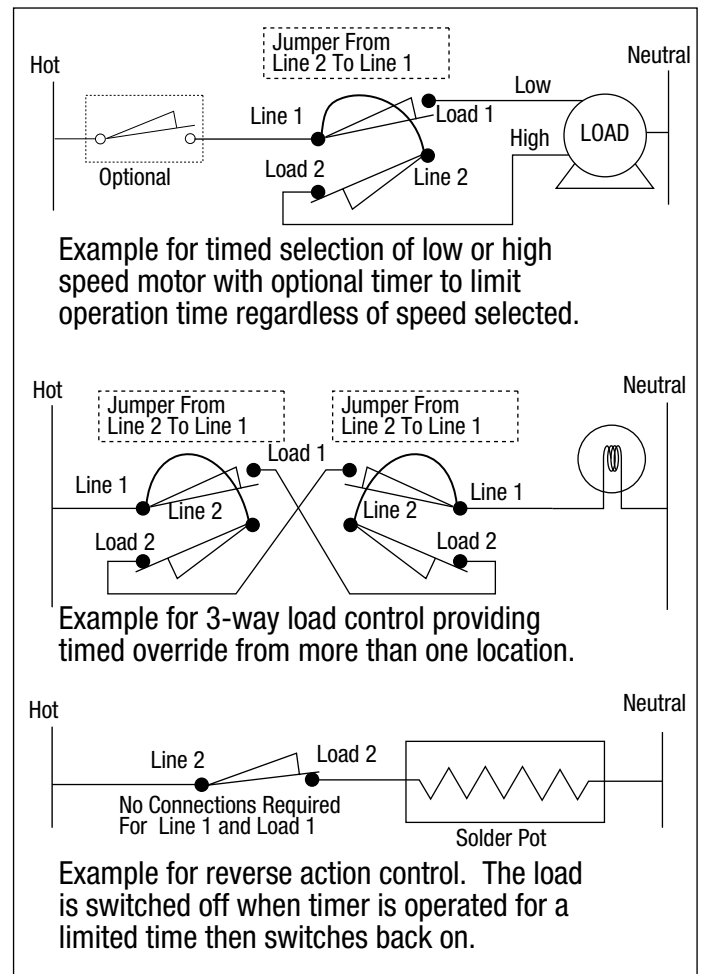
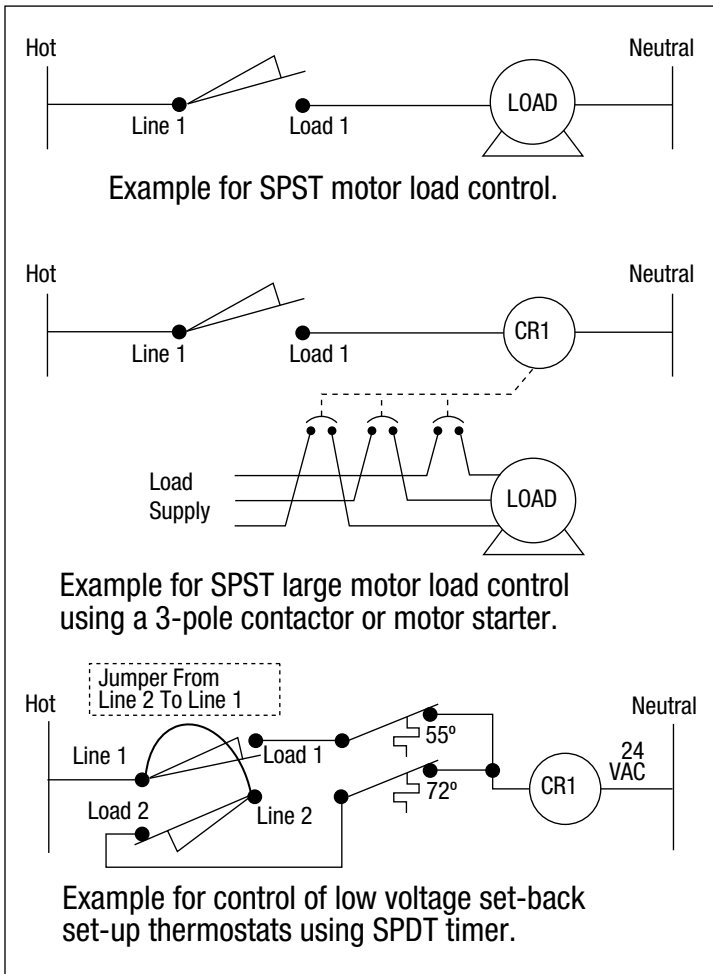
## Specification

The timer shall be of the appropriate dimensions and design to provide for direct replacement of a standard wall switch in a single gang 2 1/2" deep junction box. The timer shall include a spiral time scale to provide easy selection of a desired time setting. Molded white knob and brushed metal finish wall plate shall be a press-on type requiring no screw or other hardware to secure. The polymeric time dial shall replace a standard switch plate without modifications. The timer shall have a UL listed rating of:

- 1 HP at 125 VAC, 50/60 Hz
- 2 HP at 250 VAC, 50/60 Hz
- 20 Amp, 120 VAC, 50/60 Hz
- 10 Amp, 250 VAC, 50/60 Hz
- 10 Amp, 277 VAC, 50/60 Hz
- 7 Amp, 125 VAC, Tungsten

The timer field wiring connections shall be secured by means of a teeter-type terminal screw to provide secure connections for appropriate wire sizes. The timer shall be \_\_\_\_\_ (SPST)(DPST)(SPDT). The timer \_\_\_\_\_ (Shall) (Shall Not) have a Hold feature and shall have a time cycle of \_\_\_\_\_ (See Time Cycles Listed). The timer shall be Intermatic model \_\_\_\_\_ (See Model Numbers Listed).

## Diagrams





## FF Series Commercial Series

The FF Series Commercial Auto-Off Timers are designed to replace any standard wall switch - single or multi-gang. This series of energy-efficient mechanical timers do not require electricity to operate. In addition, they automatically limit the ON times for fans, lighting, motors, heaters, and other energy consuming loads.

### Features

- Hold feature enables the user to override the automatic shut-off function
- Rugged time dial plate easily withstands the abuse encountered in commercial environments
- Commercial “brushed metal” (plastic construction) look meets NEC requirements
- Time saving up front terminal connection with teeter-type terminals
- Press-on knob design ensures quick and easy installation
- CFL compatible

*Not for use with sunlamps, saunas, or loads that could cause personal injury if timed incorrectly.*

### Ratings

|             |   |
|-------------|---|
| Resistive:  | 20 Amp, 125 VAC, 50/60 Hz<br>10 Amp, 250 VAC, 50/60 Hz<br>10 Amp, 277 VAC, 50/60 Hz |
| Tungsten:   | 7 Amp, 125 VAC  |
| Motor:      | 1 HP, 120 VAC, 50/60 Hz<br>2 HP, 240 VAC, 50/60 Hz                                  |
| Dimensions: | 2.79" H x 1.6" W x 1.19" D  |

Project: \_\_\_\_\_

Location: \_\_\_\_\_

Product Type: \_\_\_\_\_

Contact/Phone: \_\_\_\_\_

Model #: \_\_\_\_\_



| Model Number | Time Cycle | Switch | Hold | Color                |
|--------------|------------|--------|------|----------------------|
| FF5M         | 5 Minutes  | SPST   | No   | Brushed Metal Finish |
| FF5MH        | 5 Minutes  | SPST   | Yes  | Brushed Metal Finish |
| FF15MC       | 15 Minutes | SPST   | No   | Brushed Metal Finish |
| FF15MH       | 15 Minutes | SPST   | Yes  | Brushed Metal Finish |
| FF30MC       | 30 Minutes | SPST   | No   | Brushed Metal Finish |
| FF30MH       | 30 Minutes | SPST   | Yes  | Brushed Metal Finish |
| FF60MC       | 60 Minutes | SPST   | No   | Brushed Metal Finish |
| FF60MHC      | 60 Minutes | SPST   | Yes  | Brushed Metal Finish |
| FF2H         | 2 Hours    | SPST   | No   | Brushed Metal Finish |
| FF4H         | 4 Hours    | SPST   | No   | Brushed Metal Finish |
| FF6H         | 6 Hours    | SPST   | No   | Brushed Metal Finish |
| FF6HH        | 6 Hours    | SPST   | Yes  | Brushed Metal Finish |
| FF12HC       | 12 Hours   | SPST   | No   | Brushed Metal Finish |
| FF12HHC      | 12 Hours   | SPST   | Yes  | Brushed Metal Finish |
| FF315M       | 15 Minutes | SPDT   | No   | Brushed Metal Finish |
| FF330M       | 30 Minutes | SPDT   | No   | Brushed Metal Finish |
| FF360M       | 60 Minutes | SPDT   | No   | Brushed Metal Finish |
| FF32H        | 2 Hours    | SPDT   | No   | Brushed Metal Finish |
| FF32HH       | 2 Hours    | SPDT   | Yes  | Brushed Metal Finish |
| FF34H        | 4 Hours    | SPDT   | No   | Brushed Metal Finish |
| FF34HH       | 4 Hours    | SPDT   | Yes  | Brushed Metal Finish |
| FF36H        | 6 Hours    | SPDT   | No   | Brushed Metal Finish |
| FF312H       | 12 Hours   | SPDT   | No   | Brushed Metal Finish |
| FF312HH      | 12 Hours   | SPDT   | Yes  | Brushed Metal Finish |
| FF415M       | 15 Minutes | DPST   | No   | Brushed Metal Finish |
| FF430M       | 30 Minutes | DPST   | No   | Brushed Metal Finish |
| FF460M       | 60 Minutes | DPST   | No   | Brushed Metal Finish |
| FF46H        | 6 Hours    | DPST   | No   | Brushed Metal Finish |
| FF412H       | 12 Hours   | DPST   | No   | Brushed Metal Finish |

## Specification

The timer shall be of the appropriate dimensions and design to provide for direct replacement of a standard wall switch in a single gang 2 1/2" deep junction box. The timer shall include a spiral time scale to provide easy selection of a desired time setting. Molded white knob and brushed metal finish wall plate shall be a press-on type requiring no screw or other hardware to secure. The polymeric time dial shall replace a standard switch plate without modifications. The timer shall have a UL listed rating of:

- 1 HP at 125 VAC, 50/60 Hz
- 2 HP at 250 VAC, 50/60 Hz
- 20 Amp, 120 VAC, 50/60 Hz
- 10 Amp, 250 VAC, 50/60 Hz
- 10 Amp, 277 VAC, 50/60 Hz
- 7 Amp, 125 VAC, Tungsten

The timer field wiring connections shall be secured by means of a teeter-type terminal screw to provide secure connections for appropriate wire sizes. The timer shall be \_\_\_\_\_ (SPST)(DPST)(SPDT). The timer \_\_\_\_\_ (Shall) (Shall Not) have a Hold feature and shall have a time cycle of \_\_\_\_\_ (See Time Cycles Listed). The timer shall be Intermatic model \_\_\_\_\_ (See Model Numbers Listed).

## Diagrams

