

SMOKE ALARM

CAT. **FG250 Series**



DUAL IONIZATION

Dual Ionization sensing chamber. Generally more effective at detecting small particles produced by flaming fires. Sources may include paper or kitchen grease.

SILENCE FEATURE

Silences nuisance alarms.

TAMPER RESISTANT LOCKING PIN

Locks alarm cover to prevent removal of battery. Perfect for apartment, dormitory or hotel applications.

9V BATTERY INCLUDED

APPROVED FOR RV USE*

Available in the following versions:

FG250B Silence with Carbon Zinc Battery

FG250AB * Silence with Alkaline Battery

FG250LB * Silence with Lithium Battery

**Approved for RV use on these SKU's only*



BRK[®]

THE PROFESSIONAL STANDARD

9V Battery Powered

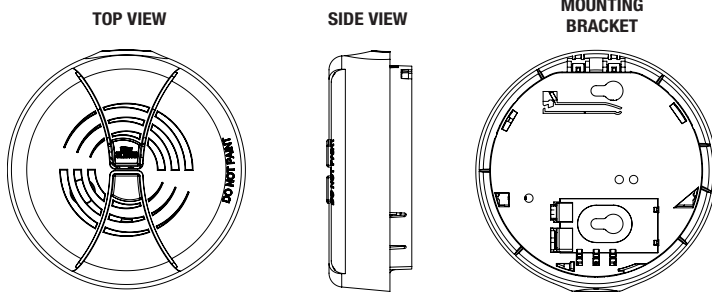
Description:

BRK Model FG250 is a single station smoke alarm specifically designed for residential and institutional applications including sleeping rooms of hospitals, hotels, motels, dormitories, and other multifamily dwellings as defined in standard NFPA 101. Model FG250 has been fully tested and complies with, UL217, CSFM, NFPA 72, and NFPA 101 and other agencies that model their codes after the above agencies. It meets building codes where DC with Silence smoke alarms are required and with model building codes published by the ICC.

BRK Model FG250 is a state of the art smoke alarm designed to provide early warning of a fire. It features a fully insect screened dual ionization smoke sensing chamber, an 85dB horn, a supervised 9V battery power supply, a full function test switch, a silence feature to silence unwanted nuisance alarms, a red LED light that indicates DC power or alarm. It also features a tamper resistant locking pin that locks alarm cover to prevent removal of battery. Perfect for apartment, dormitory or hotel applications. The compact, low profile design complements any décor. Battery installation and removal can occur while the unit is mounted to the ceiling or wall via the hinged cover. When voltage drops to a pre-set warning level, the horn will "chirp" approximately once per minute to indicate a fresh battery is needed. To insure the battery is always replaced properly, the cover is designed to resist closing when the battery is missing. Designed for wall or ceiling mounting. Includes mounting anchors and screws. FG250AB and FG250LB are approved for use in recreational vehicles.



CAT. FG250 Series



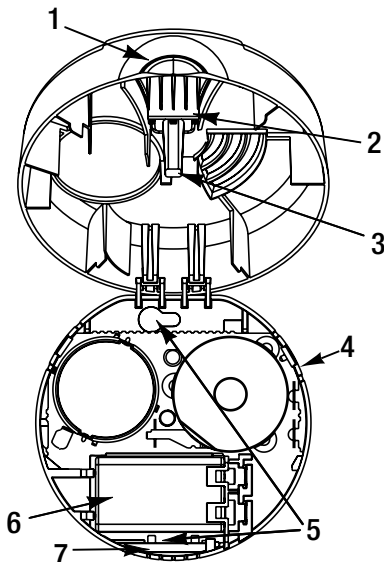
ARCHITECTURAL AND ENGINEERING SPEC

The smoke alarm shall be a BRK Model FG250 and shall provide at a minimum the following features and functions:

1. A dual ionization sensing chamber.
2. The unit shall be capable of self restoring.
3. A fully screened sensing chamber to resist entry of small insects thereby reducing the probability of unwanted alarms.
4. Powered by a supervised 9V battery and a solid state piezo horn rated at 85dB at 10 ft.
5. A visual LED power-on indicator to confirm unit is receiving power or is in alarm.
6. A full function test button. The test button should check all alarm functions by stimulating the chamber to simulate a smoke condition, causing the unit to alarm. Model FG250 also has a silence feature to silence unwanted nuisance alarms.
7. A tamper resistant locking pin that locks alarm cover to prevent removal of battery.
8. The unit shall be capable of operating between 40°F (4°C) and 100°F (38°C) and relative humidity between 10% and 90%.
9. The unit shall contain mounting hardware and shall be listed for wall or ceiling mounting.
10. The unit shall at a minimum meet the requirements of UL217, CSFM, NFPA 72, NFPA 101, ICC.
11. The unit shall be suitable for use in Recreational Vehicles when used with an alkaline or lithium battery.

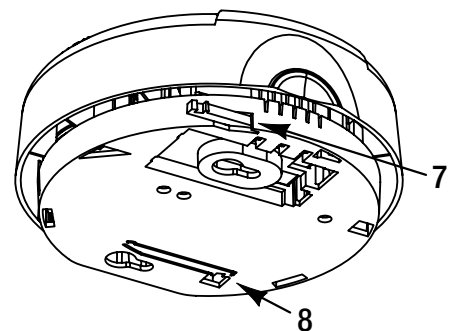
INSTALLATION OF ALARM

Installation of this smoke alarm must conform to NFPA 72. Always check your local building codes. Follow all instructions for placement as outlined in the user's manual in sections titled "Recommended Locations for Smoke Alarms" and "Locations to Avoid for Smoke Alarms".



THE PARTS OF THIS SMOKE ALARM

1. "Open Here"
2. "No Battery" tab
3. Test/Silence button tab
4. Smoke alarm base
5. Standard screw mounting slots
6. Install 9V battery here
7. Locking pin slot
8. Locking pin: Remove and insert in 7



TECHNICAL SPECS

Alarm Dimensions:	1.6"H x 4.25"Dia
Weight:	4.8 oz
Operating Voltage:	9V Battery Powered
Temperature Range:	40°F (4°C) to 100°F (38°C)
Humidity Range:	10% to 95% relative humidity (RH)
Audio Alarm:	85dB at 10 feet
Test/Silence:	Electronically simulates smoke condition, causing the unit to alarm. Press and hold test/silence button.
Alarm Reset:	Automatic when smoke clears
Smoke Sensor:	Dual Ionization
Indicator Lights/Sounds:	
DC Power:	Intermittent Red LED
Local Alarm:	Audio alarm and rapidly flashing Red LED
Listing:	Listed to UL217 Standard

SHIPPING SPECS

Individual Carton Dimensions	4.38 "L x 1.75"W x 4.38"H
Weight	0.38 lbs.
Cube	0.02 ft3
UPC	FG250B: 0 29054 00300 3 FG250AB: 0 29054 00311 9 FG250LB: 0 29054 00310 2
Master Carton Dimensions	9.2 "L x 5.55"W x 5.1"H
Master Pack	6
Weight	3.2 lbs.
Cube:	0.15 ft3
I2of5:	FG250B: 600 29054 00300 5 FG250AB: 600 29054 00311 1 FG250LB: 600 29054 00310 4
Pallet Information	
Cases per Layer	36
Number of Layers:	9
Cases per Pallet:	324
Units per Pallet:	1,944
Cube:	55.0 ft3
Weight:	1,107 lbs.



©2013 BRK Brands, Inc. a Jarden Corporation
Company (NYSE: JAH)
3901 Liberty Street Road
Aurora, IL 60504-8122
All rights reserved

First Alert is a registered trademark of the First Alert Trust
BRK is a registered trademark of BRK Brands, Inc.
CM2926

SMOKE ALARM

CAT. **FG250 Series**



DUAL IONIZATION

Dual Ionization sensing chamber. Generally more effective at detecting small particles produced by flaming fires. Sources may include paper or kitchen grease.

SILENCE FEATURE

Silences nuisance alarms.

TAMPER RESISTANT LOCKING PIN

Locks alarm cover to prevent removal of battery. Perfect for apartment, dormitory or hotel applications.

9V BATTERY INCLUDED

APPROVED FOR RV USE*

Available in the following versions:

FG250B Silence with Carbon Zinc Battery

FG250AB * Silence with Alkaline Battery

FG250LB * Silence with Lithium Battery

*Approved for RV use on these SKU's only



BRK[®]

THE PROFESSIONAL STANDARD

9V Battery Powered

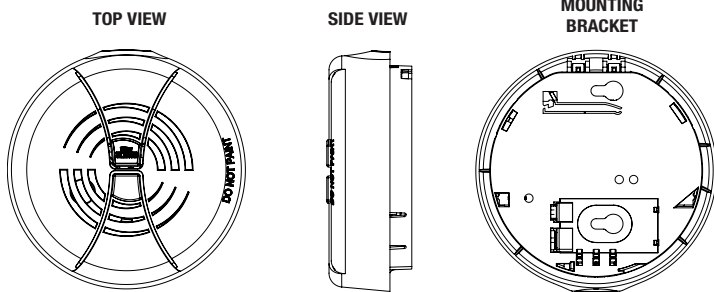
Description:

BRK Model FG250 is a single station smoke alarm specifically designed for residential and institutional applications including sleeping rooms of hospitals, hotels, motels, dormitories, and other multifamily dwellings as defined in standard NFPA 101. Model FG250 has been fully tested and complies with, UL217, CSFM, NFPA 72, and NFPA 101 and other agencies that model their codes after the above agencies. It meets building codes where DC with Silence smoke alarms are required and with model building codes published by the ICC.

BRK Model FG250 is a state of the art smoke alarm designed to provide early warning of a fire. It features a fully insect screened dual ionization smoke sensing chamber, an 85dB horn, a supervised 9V battery power supply, a full function test switch, a silence feature to silence unwanted nuisance alarms, a red LED light that indicates DC power or alarm. It also features a tamper resistant locking pin that locks alarm cover to prevent removal of battery. Perfect for apartment, dormitory or hotel applications. The compact, low profile design complements any décor. Battery installation and removal can occur while the unit is mounted to the ceiling or wall via the hinged cover. When voltage drops to a pre-set warning level, the horn will "chirp" approximately once per minute to indicate a fresh battery is needed. To insure the battery is always replaced properly, the cover is designed to resist closing when the battery is missing. Designed for wall or ceiling mounting. Includes mounting anchors and screws. FG250AB and FG250LB are approved for use in recreational vehicles.



CAT. FG250 Series



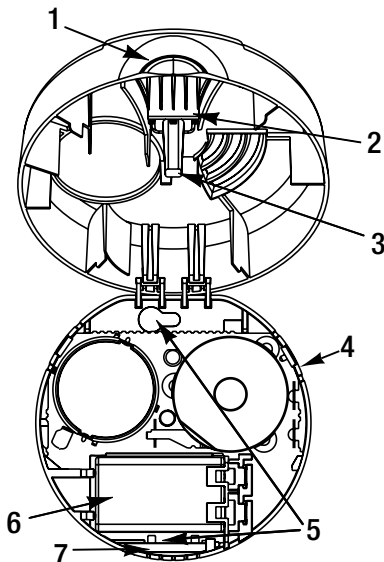
ARCHITECTURAL AND ENGINEERING SPEC

The smoke alarm shall be a BRK Model FG250 and shall provide at a minimum the following features and functions:

1. A dual ionization sensing chamber.
2. The unit shall be capable of self restoring.
3. A fully screened sensing chamber to resist entry of small insects thereby reducing the probability of unwanted alarms.
4. Powered by a supervised 9V battery and a solid state piezo horn rated at 85dB at 10 ft.
5. A visual LED power-on indicator to confirm unit is receiving power or is in alarm.
6. A full function test button. The test button should check all alarm functions by stimulating the chamber to simulate a smoke condition, causing the unit to alarm. Model FG250 also has a silence feature to silence unwanted nuisance alarms.
7. A tamper resistant locking pin that locks alarm cover to prevent removal of battery.
8. The unit shall be capable of operating between 40°F (4°C) and 100°F (38°C) and relative humidity between 10% and 90%.
9. The unit shall contain mounting hardware and shall be listed for wall or ceiling mounting.
10. The unit shall at a minimum meet the requirements of UL217, CSFM, NFPA 72, NFPA 101, ICC.
11. The unit shall be suitable for use in Recreational Vehicles when used with an alkaline or lithium battery.

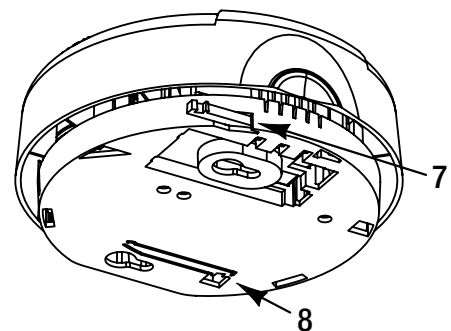
INSTALLATION OF ALARM

Installation of this smoke alarm must conform to NFPA 72. Always check your local building codes. Follow all instructions for placement as outlined in the user's manual in sections titled "Recommended Locations for Smoke Alarms" and "Locations to Avoid for Smoke Alarms".



THE PARTS OF THIS SMOKE ALARM

1. "Open Here"
2. "No Battery" tab
3. Test/Silence button tab
4. Smoke alarm base
5. Standard screw mounting slots
6. Install 9V battery here
7. Locking pin slot
8. Locking pin: Remove and insert in 7



TECHNICAL SPECS

Alarm Dimensions:	1.6"H x 4.25"Dia
Weight:	4.8 oz
Operating Voltage:	9V Battery Powered
Temperature Range:	40°F (4°C) to 100°F (38°C)
Humidity Range:	10% to 95% relative humidity (RH)
Audio Alarm:	85dB at 10 feet
Test/Silence:	Electronically simulates smoke condition, causing the unit to alarm. Press and hold test/silence button.
Alarm Reset:	Automatic when smoke clears
Smoke Sensor:	Dual Ionization
Indicator Lights/Sounds:	
DC Power:	Intermittent Red LED
Local Alarm:	Audio alarm and rapidly flashing Red LED
Listing:	Listed to UL217 Standard

SHIPPING SPECS

Individual Carton Dimensions	4.38 "L x 1.75"W x 4.38"H
Weight	0.38 lbs.
Cube	0.02 ft3
UPC	FG250B: 0 29054 00300 3 FG250AB: 0 29054 00311 9 FG250LB: 0 29054 00310 2
Master Carton Dimensions	9.2 "L x 5.55"W x 5.1"H
Master Pack	6
Weight	3.2 lbs.
Cube:	0.15 ft3
I2of5:	FG250B: 600 29054 00300 5 FG250AB: 600 29054 00311 1 FG250LB: 600 29054 00310 4
Pallet Information	
Cases per Layer	36
Number of Layers:	9
Cases per Pallet:	324
Units per Pallet:	1,944
Cube:	55.0 ft3
Weight:	1,107 lbs.



©2013 BRK Brands, Inc. a Jarden Corporation
Company (NYSE: JAH)
3901 Liberty Street Road
Aurora, IL 60504-8122
All rights reserved

First Alert is a registered trademark of the First Alert Trust
BRK is a registered trademark of BRK Brands, Inc.
CM2926