

Round Cut-in Floor Box Kits

NEW!
more on
reverse

Flush-to-Floor Installation in Existing Wood and Concrete Floors



Arlington's round, cut-in **FLOOR BOX KITS** offer installers the low cost, *convenient* way to install a duplex receptacle *flush with the floor*.

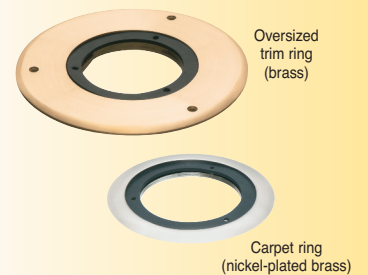
The 3.5" round, UL Listed non-metallic **floor box** is easy to install in an *existing* wood or concrete floor. Electrical conduit must be accessible from underneath the floor if installing in existing concrete.

Hide miscut flooring, cover the edges of cut carpet and get a neater finish with an **oversized ring** or **carpet ring** to match your cover.

Complete the job with a round 4" **metal cover** in brass or nickel-plated brass.



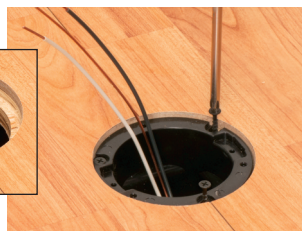
Floor Box Kit
with brass cover
FLB3520MB



1 Using a 4" diameter hole saw, cut opening in floor approximately 1/2" deep, taking care to avoid structural framing members.



2 Next, use a 3-1/2" hole saw to cut through the remaining flooring/subfloor, creating a shelf at the desired depth for the box. Remove material that remains between the saw cuts.



3 Pull cable. Install in box with supplied cable connector. Attach box to floor with (3) #6 x 1-1/4" wood screws (not supplied) through the U-shaped cut outs in the box flange.



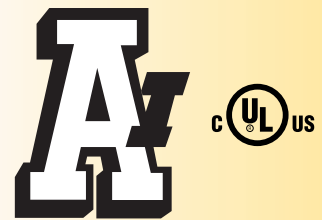
4 Wire receptacle. Install in box.



5 Attach plastic gasket support plate to receptacle with #6 x 1/2" screw. Install gasket.



6 Attach cover to box with (3) #8 x 1/2" flat head machine screws.



Arlington

1 Stauffer Industrial Park
Scranton, PA 18517
800/233.4717
Fax 570/562.0646
www.aifittings.com

Non-Metallic Floor Box Kits, Cover Trim Kits

Round Metal Cover • Easy to Install in Existing Floor



| CATALOG NUMBER | UPC/DCI/NAED MFG. #018997 | DESCRIPTION FINISH/COLOR, COVER STYLE | UNIT PKG | STD PKG |
|----------------|---------------------------|--|----------|---------|
| FLB3500 | 00733 | 3.5" Non-metallic ROUND CUT-IN BOX for Existing Wood or Concrete Floors | 4 | 4 |



FLOOR BOX KITS WITH METAL COVERS

| | | | | |
|-----------|-------|--|---|---|
| FLB3520MB | 00734 | FLOOR BOX KIT Round cut-in box, Brass cover w threaded plugs | 1 | 1 |
| FLB3520NL | 00735 | FLOOR BOX KIT Round cut-in box, Nickel-plated Brass cover w threaded plugs | 1 | 1 |

FLB3520MB and FLB3520NL FLOOR BOX KITS include non-metallic box, round metal cover, non-metallic gasket support plate, gasket, UL Listed 15 amp TR duplex receptacle, NM94 and NM95 cable connectors, (3) #8 x 1/2" flat head screws and (1) #6 x 1/2" screw.



FLB3520NL nickel-plated brass cover

FLB3520MB brass cover



| CATALOG NUMBER | UPC/DCI/NAED MFG. #018997 | DESCRIPTION FINISH/COLOR, COVER STYLE | UNIT PKG | STD PKG |
|---|---------------------------|---------------------------------------|----------|---------|
| CARPET RINGS Cover cut edges of carpet for a neater installation | | | | |
| FLB3550MB | 00738 | CARPET RING, BRASS | 1 | 1 |
| FLB3550NL | 00739 | CARPET RING, NICKEL-PLATED BRASS | 1 | 1 |
| OVERSIZED TRIM RINGS Oversized ring for existing boxes with outsized holes | | | | |
| FLB3570MB | 00740 | TRIM RING, BRASS | 1 | 1 |
| FLB3570NL | 00741 | TRIM RING, NICKEL-PLATED BRASS | 1 | 1 |



FLB3550MB



FLB3550NL



FLB3570MB

TRIM KITS ROUND METAL COVER WITH THREADED PLUGS, GASKETS, 15 AMP DUPLEX TR RECEPTACLE

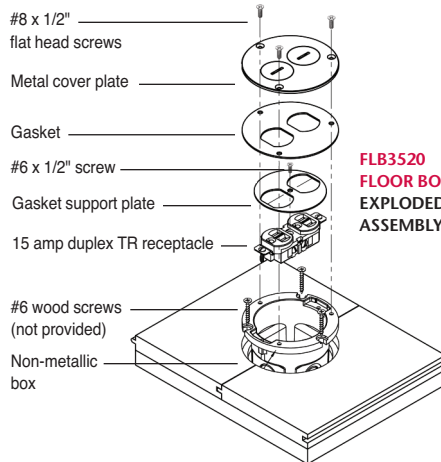
| | | | | |
|-------------|-------|--|---|---|
| FLB3520MBTK | 00736 | COVER TRIM KIT 4" Round, BRASS | 1 | 1 |
| FLB3520NLTK | 00737 | COVER TRIM KIT 4" Round, NICKEL-PLATED BRASS | 1 | 1 |



FLB3520MBTK



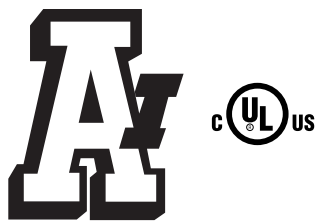
FLB3520NLTK



FLB3520 FLOOR BOX KIT EXPLODED ASSEMBLY



Distributed by



Arlington
 1 Stauffer Industrial Park
 Scranton, PA 18517
 800/233.4717
 Fax 570/562.0646
 www.aifittings.com

Patents pending FLB3520 0715/25M

Round Cut-in Floor Box Kits

NEW!
more on
reverse

Flush-to-Floor Installation in Existing Wood and Concrete Floors



Arlington's round, cut-in **FLOOR BOX KITS** offer installers the low cost, *convenient* way to install a duplex receptacle *flush with the floor*.

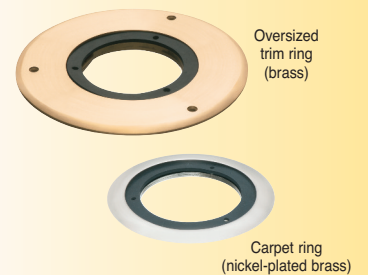
The 3.5" round, UL Listed non-metallic **floor box** is easy to install in an *existing* wood or concrete floor. Electrical conduit must be accessible from underneath the floor if installing in existing concrete.

Hide miscut flooring, cover the edges of cut carpet and get a neater finish with an **oversized ring** or **carpet ring** to match your cover.

Complete the job with a round 4" **metal cover** in brass or nickel-plated brass.



Floor Box Kit
with brass cover
FLB3520MB



1 Using a 4" diameter hole saw, cut opening in floor approximately 1/2" deep, taking care to avoid structural framing members.



2 Next, use a 3-1/2" hole saw to cut through the remaining flooring/subfloor, creating a shelf at the desired depth for the box. Remove material that remains between the saw cuts.



3 Pull cable. Install in box with supplied cable connector. Attach box to floor with (3) #6 x 1-1/4" wood screws (not supplied) through the U-shaped cut outs in the box flange.



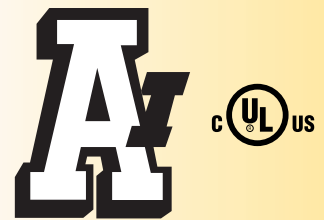
4 Wire receptacle. Install in box.



5 Attach plastic gasket support plate to receptacle with #6 x 1/2" screw. Install gasket.



6 Attach cover to box with (3) #8 x 1/2" flat head machine screws.



Arlington

1 Stauffer Industrial Park
Scranton, PA 18517
800/233.4717
Fax 570/562.0646
www.aifittings.com

Non-Metallic Floor Box Kits, Cover Trim Kits

Round Metal Cover • Easy to Install in Existing Floor



| CATALOG NUMBER | UPC/DCI/NAED MFG. #018997 | DESCRIPTION FINISH/COLOR, COVER STYLE | UNIT PKG | STD PKG |
|----------------|---------------------------|--|----------|---------|
| FLB3500 | 00733 | 3.5" Non-metallic ROUND CUT-IN BOX for Existing Wood or Concrete Floors | 4 | 4 |



FLOOR BOX KITS WITH METAL COVERS

| | | | | |
|-----------|-------|--|---|---|
| FLB3520MB | 00734 | FLOOR BOX KIT Round cut-in box, Brass cover w threaded plugs | 1 | 1 |
| FLB3520NL | 00735 | FLOOR BOX KIT Round cut-in box, Nickel-plated Brass cover w threaded plugs | 1 | 1 |

FLB3520MB and FLB3520NL FLOOR BOX KITS include non-metallic box, round metal cover, non-metallic gasket support plate, gasket, UL Listed 15 amp TR duplex receptacle, NM94 and NM95 cable connectors, (3) #8 x 1/2" flat head screws and (1) #6 x 1/2" screw.



FLB3520NL nickel-plated brass cover

FLB3520MB brass cover



| CATALOG NUMBER | UPC/DCI/NAED MFG. #018997 | DESCRIPTION FINISH/COLOR, COVER STYLE | UNIT PKG | STD PKG |
|---|---------------------------|---------------------------------------|----------|---------|
| CARPET RINGS Cover cut edges of carpet for a neater installation | | | | |
| FLB3550MB | 00738 | CARPET RING, BRASS | 1 | 1 |
| FLB3550NL | 00739 | CARPET RING, NICKEL-PLATED BRASS | 1 | 1 |
| OVERSIZED TRIM RINGS Oversized ring for existing boxes with outsized holes | | | | |
| FLB3570MB | 00740 | TRIM RING, BRASS | 1 | 1 |
| FLB3570NL | 00741 | TRIM RING, NICKEL-PLATED BRASS | 1 | 1 |



FLB3550MB



FLB3550NL



FLB3570MB

TRIM KITS ROUND METAL COVER WITH THREADED PLUGS, GASKETS, 15 AMP DUPLEX TR RECEPTACLE

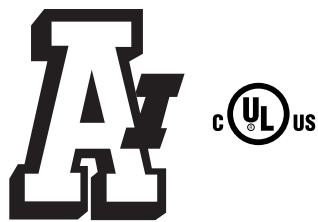
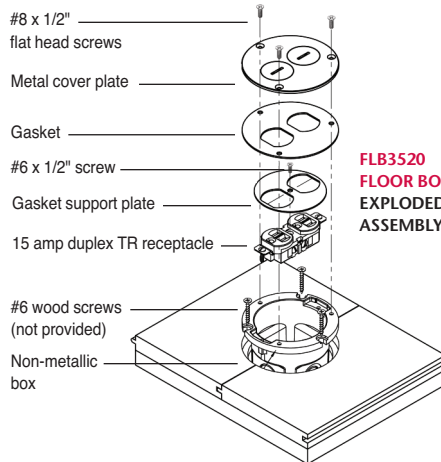
| | | | | |
|-------------|-------|--|---|---|
| FLB3520MBTK | 00736 | COVER TRIM KIT 4" Round, BRASS | 1 | 1 |
| FLB3520NLTK | 00737 | COVER TRIM KIT 4" Round, NICKEL-PLATED BRASS | 1 | 1 |



FLB3520MBTK



FLB3520NLTK



Arlington
1 Stauffer Industrial Park
Scranton, PA 18517
800/233.4717
Fax 570/562.0646
www.aifittings.com

Patents pending FLB3520 0715/25M

Distributed by