

NEW!
more on
reverse

IN BOX™ Cover Kit for Concrete Floor Box

Recessed Cover Kit with Decorator-style TR Receptacle



IN BOX COVER KIT
Installed and in use

NEW!

FLBC4560DNL
Nickel-plated Brass Cover

FLBC4560DCA
Non-metallic Light Almond

Arlington's new **IN BOX™ COVER KITS** give installers the best way to install a receptacle in new concrete.

These **RECESSED COVER KITS** install *into the can* so they look great! And they reduce the trip hazard caused by plugs sticking out of the box.

You can also have power and low voltage in the same box. Talk about convenience!

IN BOX Cover Kits are available with **metal flanges** in brass or nickel-plated brass. And **plastic, in five colors:** light almond, gray, caramel, black and dark brown.

They're easy to install into our FLBC4500 and FLBC4502 concrete floor boxes (*sold separately*).

Made of heavy-duty plastic, our 4.5" non-metallic **concrete boxes** are a common size, that accommodate **our IN BOX recessed covers and other common single-door, 4" diameter, 3-hole covers.**



EASY INSTALLATION



Keystone holder — ships installed

FLBC4560DGY



1 After concrete has cured and finished floor installed, cut the installed concrete box to the finished floor height.
If using the low voltage divider, cut the same amount from the bottom of the divider as you removed from the can.

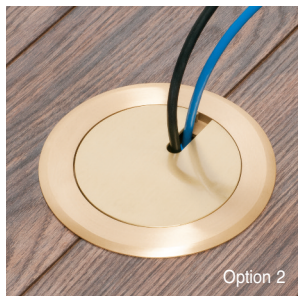


2 Wire receptacle per applicable local, state and national codes. After installation of finished flooring secure leveling ring assembly to installed concrete can using PVC cement.

Seal underside of carpet flange with gasket (included) or if desired, a silicone sealant (*not included*).



3 Option 1
Install gasket and blank cover with (3) supplied #8 x 5/8" flat head machine screws.



Option 2
Install in-use cover. *No screws required.* Store blank cover with screws and gasket for future use.

Arlington

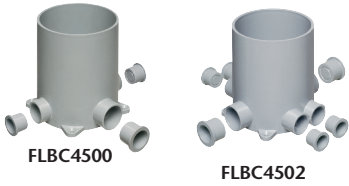


1 Stauffer Industrial Park
Scranton, PA 18517
800/233.4717
Fax 570/562.0646
www.aifittings.com

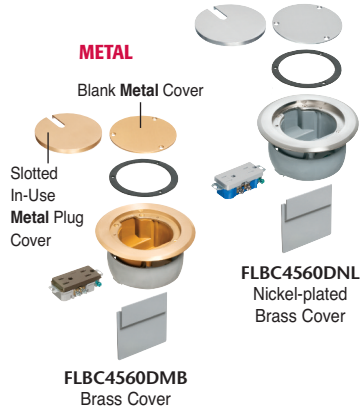
IN BOX™ Cover Kit *installs in FLBC4500, FLBC4502*

NEW!

Put a RECESSED Receptacle in New Concrete – The Easy Way!



| CATALOG NUMBER | UPC/DCI/NAED MFG. #018997 | DESCRIPTION FINISH/COLOR, COVER STYLE | UNIT PKG | STD PKG |
|----------------|---------------------------|---|----------|---------|
| FLBC4500 | 22010 | 4.5" Non-metallic ROUND BOX for Concrete Pours - (4) hubs/conduit plugs, mud cover | 1 | 5 |
| FLBC4502 | 34004 | 4.5" Non-metallic ROUND BOX for Concrete Pours - (6) hubs/conduit plugs, mud cover | 1 | 5 |



IN BOX™ COVER KIT with METAL FLANGE, BLANK and IN-USE SLOTTED PLUG COVER

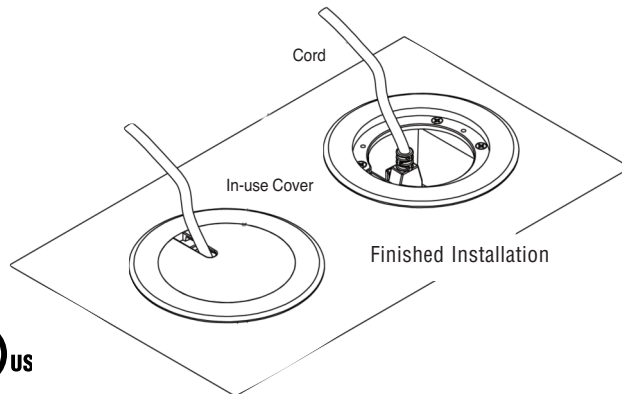
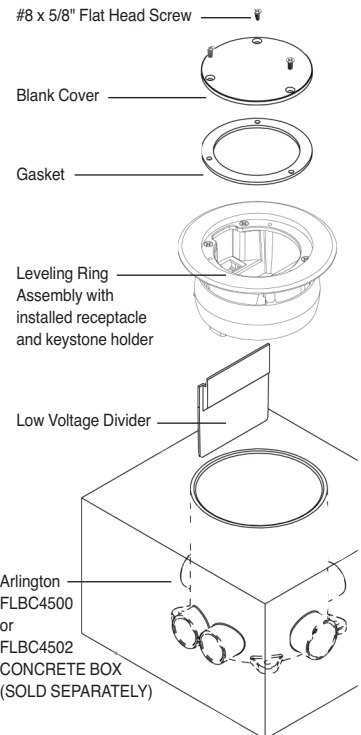
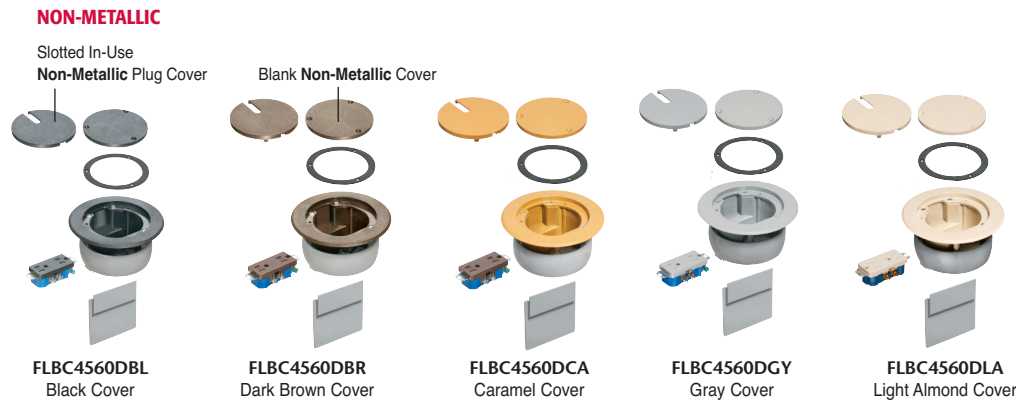
| | | | | |
|-------------|-------|---|---|---|
| FLBC4560DMB | 09105 | RECESSED COVER KIT – Brass, w/ Decorator Style Receptacle | 1 | 1 |
| FLBC4560DNL | 09106 | RECESSED COVER KIT – Nickel plated Brass, w/ Decorator Style Receptacle | 1 | 1 |

IN BOX™ COVER KIT with PLASTIC FLANGE, BLANK and IN-USE SLOTTED PLUG COVER

| | | | | |
|-------------|-------|---|---|---|
| FLBC4560DBL | 09100 | RECESSED COVER KIT – Black, w/ Black Decorator Style Receptacle | 1 | 1 |
| FLBC4560DBR | 09101 | RECESSED COVER KIT – Dark Brown, w/ Dark Brown Decorator Style Receptacle | 1 | 1 |
| FLBC4560DCA | 09102 | RECESSED COVER KIT – Caramel, w/ Dark Brown Decorator Style Receptacle | 1 | 1 |
| FLBC4560DGY | 09103 | RECESSED COVER KIT – Gray, w/ Gray Decorator Style Receptacle | 1 | 1 |
| FLBC4560DLA | 09104 | RECESSED COVER KIT – Light Almond, w/ Light Almond Decorator Style Receptacle | 1 | 1 |

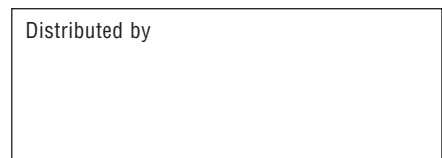
KITS INCLUDE

Leveling ring assembly w/ carpet flange, funnel and *installed* UL Listed, tamper resistant 15 A decorator-style receptacle, low voltage keystone holder insert and blank insert, low voltage divider, blank cover w/ gasket, in-use slotted plug cover, (3) #8 x 5/8" flat head screws



1 Stauffer Industrial Park
Scranton, PA 18517
800/233.4717
Fax 570/562.0646
www.aifittings.com

Distributed by



Patents pending IN BOX Cover Kit 0916 REV0218/15M

NEW!
more on
reverse

IN BOX™ Cover Kit for Concrete Floor Box

Recessed Cover Kit with Decorator-style TR Receptacle



IN BOX COVER KIT
Installed and in use

NEW!

FLBC4560DNL
Nickel-plated Brass Cover

FLBC4560DCA
Non-metallic Light Almond

Arlington's new **IN BOX™ COVER KITS** give installers the best way to install a receptacle in new concrete.

These **RECESSED COVER KITS** install *into the can* so they look great! And they reduce the trip hazard caused by plugs sticking out of the box.

You can also have power and low voltage in the same box. Talk about convenience!

IN BOX Cover Kits are available with **metal flanges** in brass or nickel-plated brass. And **plastic, in five colors:** light almond, gray, caramel, black and dark brown.

They're easy to install into our FLBC4500 and FLBC4502 concrete floor boxes (*sold separately*).

Made of heavy-duty plastic, our 4.5" non-metallic **concrete boxes** are a common size, that accommodate **our IN BOX recessed covers** and other common single-door, 4" diameter, 3-hole covers.



EASY INSTALLATION



Keystone holder — ships installed

FLBC4560DGY



1 After concrete has cured and finished floor installed, cut the installed concrete box to the finished floor height.
If using the low voltage divider, cut the same amount from the bottom of the divider as you removed from the can.



2 Wire receptacle per applicable local, state and national codes. After installation of finished flooring secure leveling ring assembly to installed concrete can using PVC cement.

Seal underside of carpet flange with gasket (included) or if desired, a silicone sealant (*not included*).



3 Option 1
Install gasket and blank cover with (3) supplied #8 x 5/8" flat head machine screws.



Option 2
Install in-use cover. *No screws required.* Store blank cover with screws and gasket for future use.



1 Stauffer Industrial Park
Scranton, PA 18517
800/233.4717
Fax 570/562.0646
www.aifittings.com

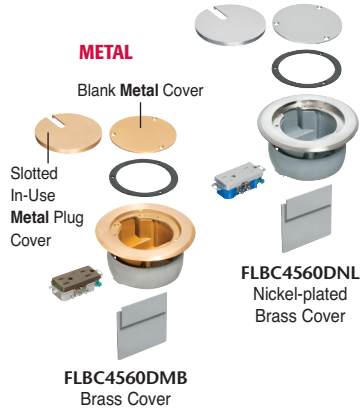
IN BOX™ Cover Kit installs in FLBC4500, FLBC4502

NEW!

Put a RECESSED Receptacle in New Concrete – The Easy Way!



| CATALOG NUMBER | UPC/DCI/NAED MFG. #018997 | DESCRIPTION FINISH/COLOR, COVER STYLE | UNIT PKG | STD PKG |
|----------------|---------------------------|---|----------|---------|
| FLBC4500 | 22010 | 4.5" Non-metallic ROUND BOX for Concrete Pours - (4) hubs/conduit plugs, mud cover | 1 | 5 |
| FLBC4502 | 34004 | 4.5" Non-metallic ROUND BOX for Concrete Pours - (6) hubs/conduit plugs, mud cover | 1 | 5 |



IN BOX™ COVER KIT with METAL FLANGE, BLANK and IN-USE SLOTTED PLUG COVER

| | | | | |
|-------------|-------|---|---|---|
| FLBC4560DMB | 09105 | RECESSED COVER KIT – Brass, w/ Decorator Style Receptacle | 1 | 1 |
| FLBC4560DNL | 09106 | RECESSED COVER KIT – Nickel plated Brass, w/ Decorator Style Receptacle | 1 | 1 |

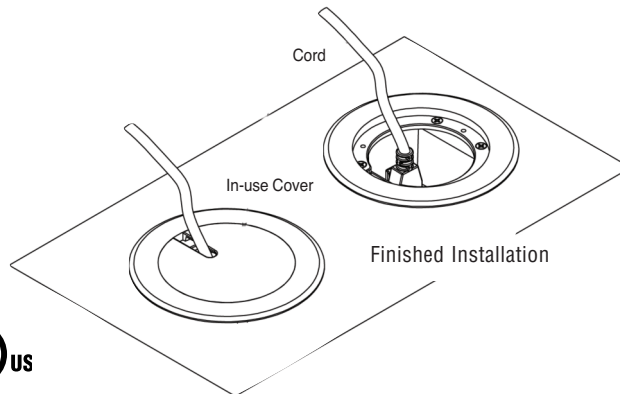
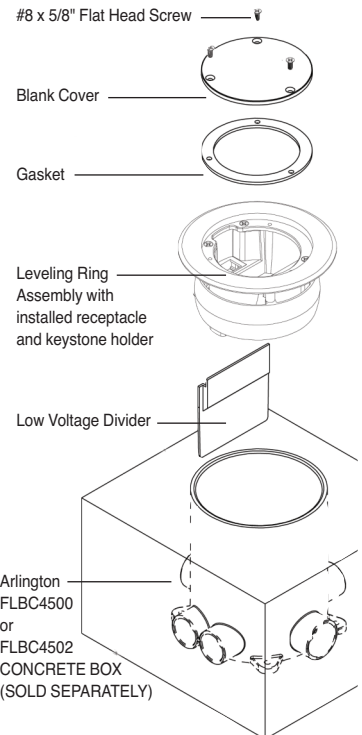
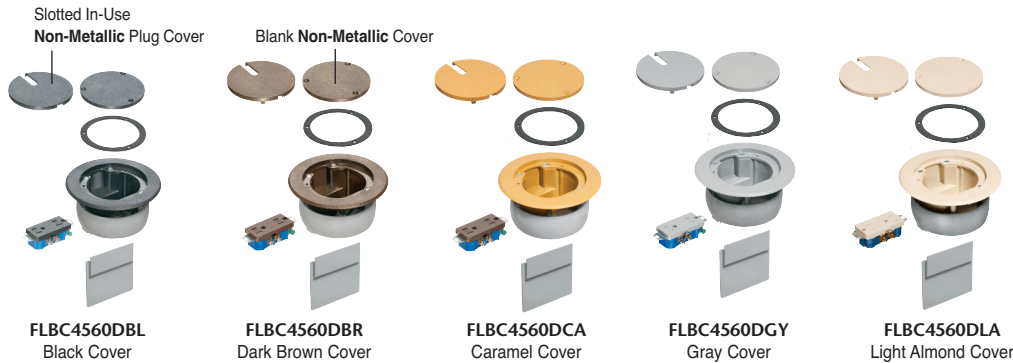
IN BOX™ COVER KIT with PLASTIC FLANGE, BLANK and IN-USE SLOTTED PLUG COVER

| | | | | |
|-------------|-------|---|---|---|
| FLBC4560DBL | 09100 | RECESSED COVER KIT – Black, w/ Black Decorator Style Receptacle | 1 | 1 |
| FLBC4560DBR | 09101 | RECESSED COVER KIT – Dark Brown, w/ Dark Brown Decorator Style Receptacle | 1 | 1 |
| FLBC4560DCA | 09102 | RECESSED COVER KIT – Caramel, w/ Dark Brown Decorator Style Receptacle | 1 | 1 |
| FLBC4560DGY | 09103 | RECESSED COVER KIT – Gray, w/ Gray Decorator Style Receptacle | 1 | 1 |
| FLBC4560DLA | 09104 | RECESSED COVER KIT – Light Almond, w/ Light Almond Decorator Style Receptacle | 1 | 1 |

KITS INCLUDE

Leveling ring assembly w/ carpet flange, funnel and *installed* UL Listed, tamper resistant 15 A decorator-style receptacle, low voltage keystone holder insert and blank insert, low voltage divider, blank cover w/ gasket, in-use slotted plug cover, (3) #8 x 5/8" flat head screws

NON-METALLIC



1 Stauffer Industrial Park
Scranton, PA 18517
800/233.4717
Fax 570/562.0646
www.aifittings.com

Distributed by