



XFIT



KT-FLED100-R1A-UNV-8CSB-VDIM

COMPACT 100W GENERAL-PURPOSE LED FLOODLIGHT

DESCRIPTION

Compact 100W General-Purpose LED Floodlight | 120–277V Input |
3000–5000K | Bronze Housing | Universal Mount

APPLICATION

Building or ground mount application for outdoor illumination
(landscapes, display signage, loading docks,
building façades, pathways, parking areas, and
other general site lighting requirements)



5 YEAR
WARRANTY



PRODUCT FEATURES

- Keystone Color Select technology (3000/4000/5000K)
- Uniform, wide flood design (NEMA 7H x 7V distribution pattern)
- Heavy-duty, die cast aluminum housing featuring built-in glare visor and tempered glass lens
- Powered by Keystone 0–10V dimming LED drivers
- Built-in dusk-to-dawn photocell behind translucent 3/4" threaded plug with anti-yellowing agent
- Heavy-duty slip fitter mount and trunnion mount options included
- Ambient operating temperature: –40°C/–40°F to 45°C/113°F
- UL listed for wet locations, IP65
- 0–10V dimming, 10% min
- Power Factor: >0.95
- THD: <20%
- LED chip lifetime: L70 >100,000 hrs @ 25°C/77°F ambient fixture temp
- Meets FCC Part 15, Part B, Class A standards for conducted and radiated emissions
- 18" input cable, pre-stripped
- Fixture impact rating IK07

PERFORMANCE SPECIFICATIONS

Catalog Number	Wattage	Selectable CCT *	Lumens	Efficacy	Input Voltage	Housing Color	CRI	Dimming	Mounting	Rated Life	Legacy Equivalent
KT-FLED100-R1A-UNV-8CSB-VDIM	100W	3000K	12200 lm	122 lm/W	120–277V	Bronze	>80	0–10V	Universal: 2 3/8" Slip fitter or trunnion	50,000 hrs	400W MH
		4000K	14300 lm	143 lm/W							
		5000K	13400 lm	134 lm/W							

* Color Uniformity: CCT (Correlated Color Temperature) range as per guidelines outlined in ANSI C78.377-2017

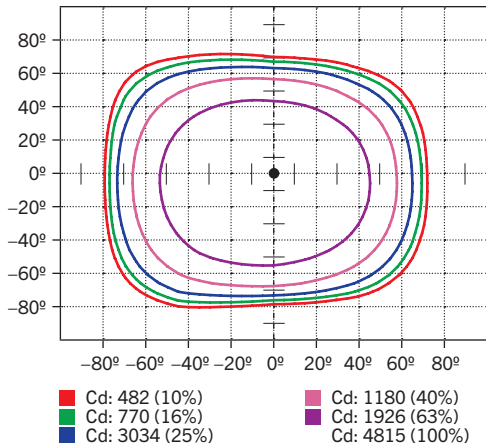


KT-FLED100-R1A-UNV-8CSB-VDIM

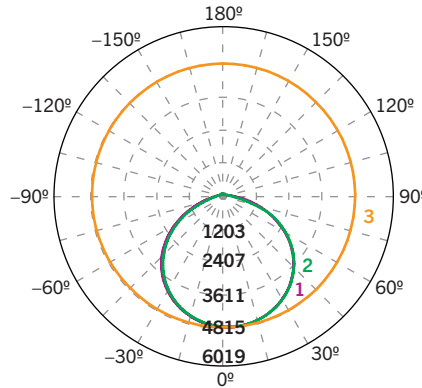
COMPACT 100W GENERAL-PURPOSE LED FLOODLIGHT

PHOTOMETRIC SPECIFICATIONS

ISOCANDELA PLOT



LUMINOUS INTENSITY DISTRIBUTION



Average diffuse angle (50%): 114.2°

- 1 Violet C0 – C180
 - 2 Green C90 – C270
 - 3 Orange G2
- Unit: cd

FLUX DISTRIBUTION

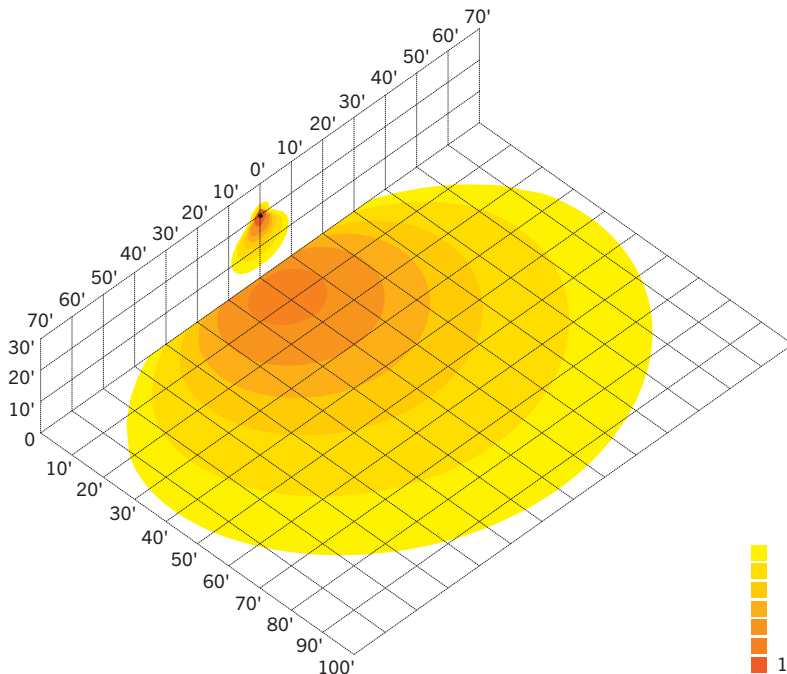
Zone	Lumens	% Luminaire
Forward Light	6,890 lm	51.7%
0°–30°	1,901 lm	14.3%
30°–60°	3,804 lm	28.5%
60°–80°	1,156 lm	8.7%
80°–90°	28 lm	0.2%
Back Light	6,331 lm	47.5%
0°–30°	1,864 lm	14.0%
30°–60°	3,550 lm	26.6%
60°–80°	899 lm	6.7%
80°–90°	17 lm	0.1%
Up Light	106 lm	0.8%
90°–100°	6 lm	0.0%
100°–180°	100 lm	0.8%

BUG* Rating	
Asymmetrical Luminaire Types	
Type I, II, III, IV	B3 U3 G2
Quadrilateral Symmetrical Luminaire Types	
Type V, Area Light	B3 U3 G1

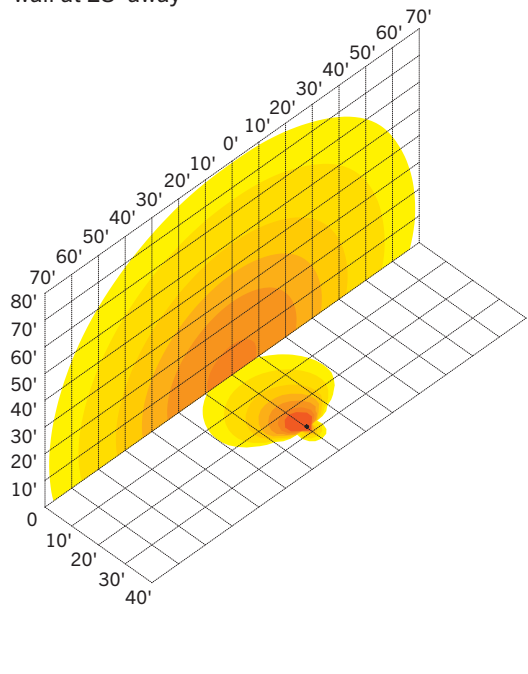
* Backlight, Uplight, Glare

LIGHT DISTRIBUTION PATTERNS (Isometric view from above)

Building exterior mounted at 20', 30° below horizontal



Ground mounted at 6" above ground, 10° above horizontal, shining towards building exterior wall at 28' away



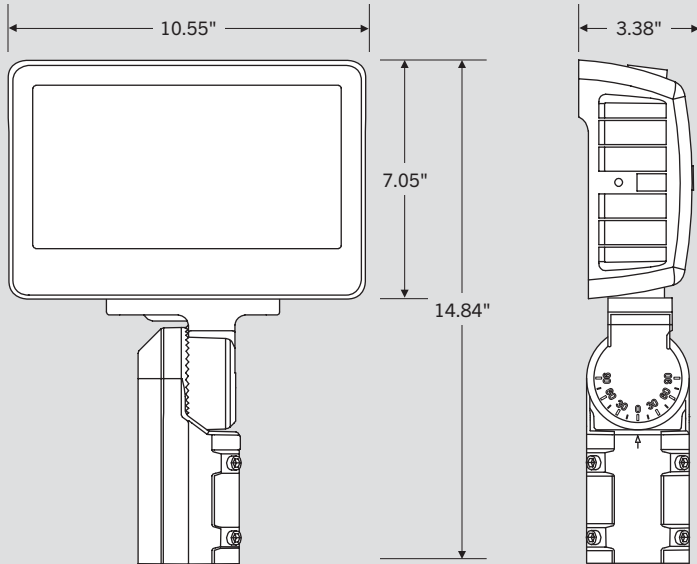


KT-FLED100-R1A-UNV-8CSB-VDIM

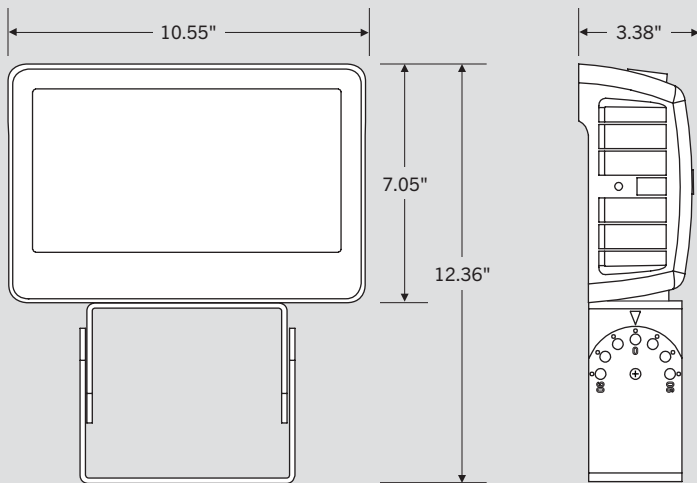
COMPACT 100W GENERAL-PURPOSE LED FLOODLIGHT

PHYSICAL SPECIFICATIONS

SLIP FITTER MOUNT



TRUNNION MOUNT



	EPA
Mounted Vertical	0.62 sq/ft
Mounted Horizontal	0.30 sq/ft
Mounted 45°	0.65 sq/ft

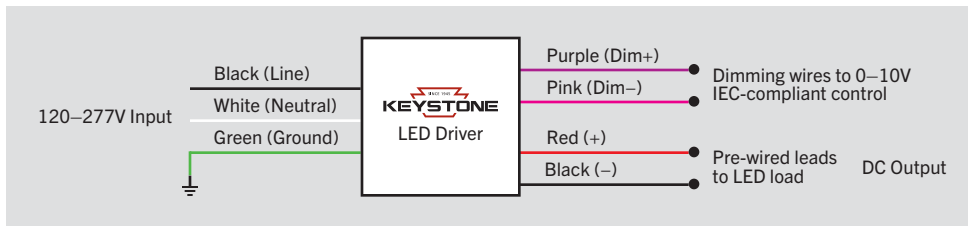


KT-FLED100-R1A-UNV-8CSB-VDIM

COMPACT 100W GENERAL-PURPOSE LED FLOODLIGHT

GENERAL SETUP INSTRUCTIONS

GENERAL WIRING DIAGRAM



Caution: Before installing, make certain that AC power to the fixture is off.

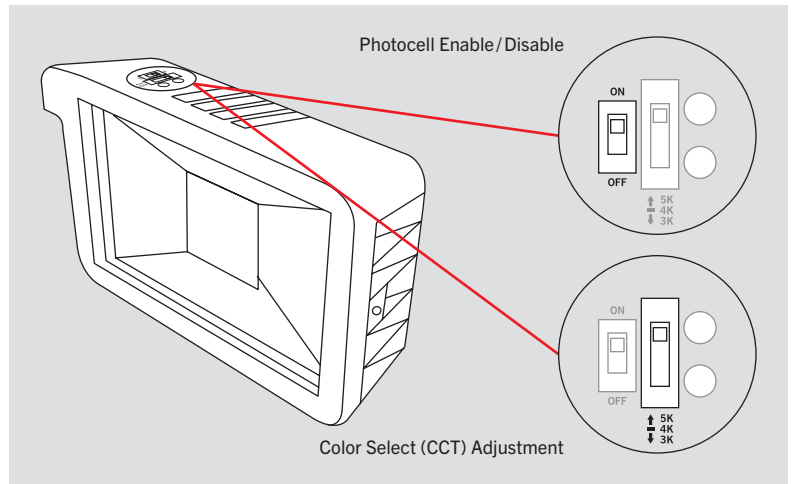
Caution: The electrical rating of this product is 120–277V. Installer must confirm that there is 120–277V at the fixture before installation.

PHOTOCELL ENABLE/DISABLE

This fixture is equipped with a dusk-to-dawn photocell behind the translucent knock-out (KO) cover. Adjust the dip switch to enable (ON) or disable (OFF) the photocell function (see illustrations to the right). Fixture comes pre-set with photocell enabled unless otherwise noted.

COLOR SELECT (CCT) ADJUSTMENT

This fixture is equipped with Color Select technology. There is an adjustable dip switch behind the translucent knock-out (KO) cover to change CCT between 5000K, 4000K, and 3000K (see illustrations to the right). Fixture comes preset at 5000K unless otherwise noted.



ACCESSORIES (SOLD SEPARATELY)

CORD SETS

Factory-Installable OR Field-Installable (field-installable options must be purchased separately)

✓	SUFFIX*	CATALOG NUMBER	DESCRIPTION	UPC	EASY CODE
	/515P6	KT-CS-515P-6-18/3	Cord set; 125V NEMA 5-15P; straight blade plug; 6' SJTOW cable; 18/3 wire	843654140124	UKH-26

* For factory installation of accessory, add suffix to fixture part number (see ordering examples and instructions on last page of spec sheet).
 Note: For cord sets not listed here, please contact your Keystone sales rep.



KT-FLED100-R1A-UNV-8CSB-VDIM

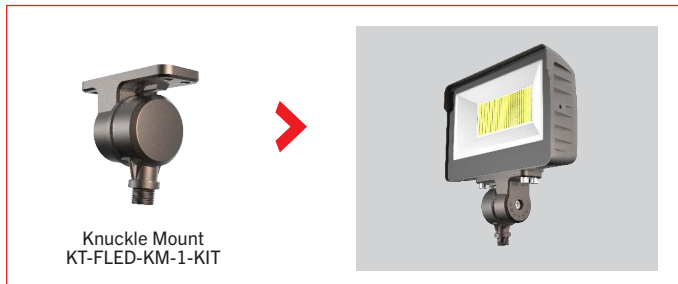
COMPACT 100W GENERAL-PURPOSE LED FLOODLIGHT

ACCESSORIES (continued)

MOUNTS AND BRACKETS

Field-Installable (field-installable options must be purchased separately)

CATALOG NUMBER	DESCRIPTION	UPC	EASY CODE
KT-FLED-KM-1-KIT	Knuckle Mount for 75W and 100W Rectangular Series 1 LED Floodlight. Includes Mounting Hardware. Standard Bronze Housing.	843654146836	JAR-10
KT-FLED-WG-4-KIT	Wire guard for 75W and 100W Rectangular Series 1 LED Floodlight	843654138855	EFZ-60



ORDERING INFORMATION

CATALOG NUMBER	PACK QTY.	UPC	EASY CODE	DLC PRODUCT ID
KT-FLED100-R1A-UNV-8CSB-VDIM	1	843654129006	JDK-34	P6CV0YBN
				S-BUW420
				S-TNHSQW



KT-FLED100-R1A-UNV-8CSB-VDIM

COMPACT 100W GENERAL-PURPOSE LED FLOODLIGHT

CATALOG NUMBER BREAKDOWN

KT-FLED100-R1A-UNV-8CSB-VDIM

1 2 3 4 5 6 7 8 9 10 11 12 13

- 1 Keystone Technologies
- 2 Fixture Type
- 3 LED Lamp
- 4 Max Wattage
- 5 Shape
- 6 Series Designation
- 7 Distribution
- 8 Mounting
- 9 CRI
- 10 Color
- 11 Color Select Designation
- 12 Dimming
- 13 Housing Color

2 Fixture Type

F	Flood
---	-------

5 Shape

R	Rectangular
---	-------------

6 Series Designation

1	General Purpose Floodlight
---	----------------------------

7 Distribution

A	NEMA 7H x 7V
---	--------------

8 Mounting

UNV	Universal
-----	-----------

9 CRI

8	>80
---	-----

10 Color

CS	Color Select
----	--------------

11 Color Select Designation

B	3000/4000/5000K
---	-----------------

12 Dimming

VDIM	0-10V
------	-------

13 Housing Color

	Bronze
W	White

**Note: Special order housing color options have extended lead times.*

ORDERING EXAMPLES

FIXTURE WITH SINGLE FACTORY-INSTALLED ACCESSORY
KT-FLED100-R1A-UNV-8CSB-VDIM /515P6

KEYSTONE FIXTURE	
CATALOG NUMBER	
KT-FLED100-R1A-UNV-8CSB-VDIM	

CORD SETS	
SUFFIX	CATALOG NUMBER
✓ /515P6	KT-CS-515P-6-18/3