

DESCRIPTION

The Enterprise 22 industrial low-bay luminaire combines a round, faceted reflector with an injection-molded lens to provide an efficient, symmetrical beam pattern. U.L. listed and labeled for damp location. CSA Certified. The Enterprise 22 combines durable construction with precise optics for mounting heights below 20'. Perfect for warehouses, foundries, gyms, assembly areas, food processing plants and hangars.

Catalog #		Type
Project		
Comments		Date
Prepared by		

SPECIFICATION FEATURES

Construction

HOUSING: Heavy-duty, formed steel housing with an open air ballast for cooler operation is finished in a white polyester powder coat.

Electrical

BALLAST: High power factor ballast with class H insulation. Minimum starting temperature is -40°C (-40°F) for HPS and -30°C (-20°F) for MH. **SOCKET:** Mogul-base porcelain socket standard for HPS.

For Metal Halide, protected socket standard, for use with "0" (Open) rated protected Metal Halide lamps only.

Optical

SEALED OPTICS: Enclosed and gasketed optics seal out dirt and other contaminants. **REFLECTOR:** Computer designed, faceted reflector provides maximum photometric performance. **HANDS-FREE RELAMPING:** Trunk latches secure the reflector to the housing,

allowing toolless entry, while internal hangers hold reflector/refractor for hands-free relamping. **LENS:** 100% virgin UV stabilized acrylic refractor.

Mounting

Easy slide-on die-cast aluminum mounting box with tapped opening for 3/4" conduit.

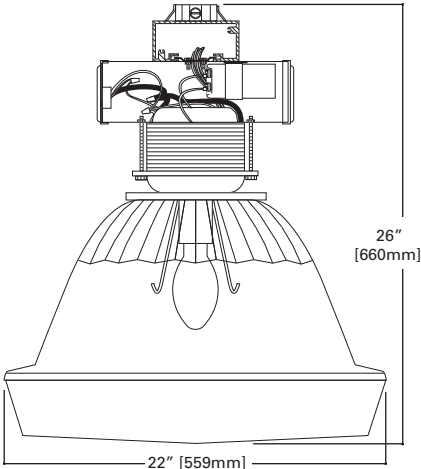


EP
ENTERPRISE 22

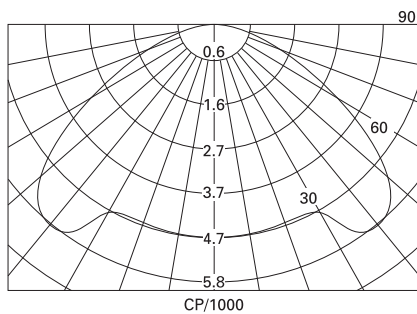
70 - 450W
High Pressure Sodium
Pulse Start Metal Halide
Metal Halide

ALUMINUM LOW-BAY

DIMENSIONS



PHOTOMETRICS



HPEP-R22-250-MT-Q
250-Watt HPS
27,500-Lumen Clear Lamp

Coefficients Of Utilization

rc	Effective floor cavity reflectance								20%							
	80%				70%				50%				30%			
rw	70	50	30	10	70	50	30	10	50	30	10	50	30	10		
RCR																
1	75	72	69	67	73	70	68	65	67	65	63	64	63	61		
2	69	64	59	55	67	62	58	55	60	56	53	57	54	52		
3	63	56	51	46	61	55	50	46	53	48	45	51	47	44		
4	58	50	44	40	56	49	43	39	47	42	39	45	41	38		
5	53	44	38	34	51	43	38	33	42	37	33	40	36	32		
6	48	39	33	29	47	38	33	28	37	32	28	36	31	28		
7	44	35	28	24	43	34	28	24	33	27	24	32	27	23		
8	40	31	25	21	39	30	25	21	29	24	20	28	24	20		
9	37	28	22	18	36	27	21	18	26	21	17	25	21	17		
10	34	25	19	15	33	24	19	15	23	18	15	23	18	15		

Candlepower

Degree	CP
0	4793
5	4751
10	4695
15	4658
20	4687
25	4800
30	5139
35	5584
40	5757
45	5517
50	4862
55	3840
60	2763
65	1966
70	1388
75	989
80	700
85	454
90	281

Spacing Criterion 1.7

Zone	%Lamp	Zone	%Lamp
0-30	14.6	0-90	67.9
0-40	27.3	90-180	1.3
0-60	55.1	Total	69.2

ORDERING INFORMATION

Sample Number: MPEP-R22-250-MT-Q

--	--	--	--	--	--	--	--

Lamp Type
MP=Pulse Start Metal Halide
MH=Metal Halide^{1, 2}
HP=High Pressure Sodium
Series
EP= Enterprise

Reflector Diameter
R22=22" Reflector Diameter

Reflector Type
 ___=Acrylic
PL=Polycarbonate³

Lamp Wattage
MP
100=100W
175=175W
250=250W
320=320W
400= 400W
MH ²
175= 175W
250= 250W
400= 400W
HP
100= 100W
250= 250W
400= 400W

Voltage ⁴
120V=120V
208V=208V
240V=240V
277V=277V
347V=347V
480V=480V
MT= Multi-Tap, ⁵ wired 277V
TT= Triple-Tap, ⁶ wired 347V
5T= 5-Tap⁷

Socket
OR= Open Rated⁸ Socket for Metal Halide Lamps
 ___ = Non Applicable (HPS or Not compatible with OR Socket)

Options
C3=3' Cord with no plug (Specify Voltage)⁹
PC3=3' Cord with NEMA Plug (120V-L5-15P, ⁹ 208V-L6-15P, 347V-L37-20P, AND 480V-L8-20P) Other cord lengths are available by specifying length (PC6 for 6' Cord) Requires FH-1 or FL-1, or SHK. Example: PC3-120V Use with TPPH-NEMA. Specify Voltage.
PHC= Power Cord and Plug (18" Power Cord and Non-NEMA plug configuration. Must be used with FL-1 and TPPH (Thru-Way Pendant Power Hook). Must specify single voltage.
PHC-NEMA= Power Cord and NEMA Plug (18" Power Cord and 20 AMP NEMA plug configuration). Must be used with FL-1 and TPPH-NEMA (Thru-Way Pendant Power Hook).
FH-1= Die-cast Aluminum Fixture Hook (with 3/4" threads for easy installation)
FL-1= Malleable Iron Plated Fixture Loop (with 3/4" threads for easy installation)
SHK= Die-cast Aluminum Fixture Hook (with safety screw and 3/4" threads for easy installation)
F1= Single Fuse (120, 277 or 347V only)
F2=Double Fuse (208, 240 or 480V only)
SCF=3' Aircraft Safety Cable secures Housing to Ceiling (Alternative lengths available. Example: SCF6 = 6' Cable)
Q=Quartz Restrike (Hot Strike Only)
EM=Quartz Restrike with "Delay Relay" (Quartz lamp strikes at both hot and cold starts)
EM/SC=Emergency Separate Circuit¹⁰
L/TCB=Less Top Connector Box (Housing shipped less top connector box. (Specify when using TWMBMS accessory)
LL=Lamp Included¹¹
SCR=Aircraft Safety Cable-Housing to Reflector
WMWS=MWS Industrial components attached to the fixture at the factory. (Standard cord length is 3 ft. 6 ft. and 11 ft. also available. Please refer to MWS Modular Wiring System section for additional information.)
HC=LumaWatt Fixture Control Module ^{12, 13} (Low voltage leads pulled out of top connection box for areas requiring all wiring to be installed in conduit)
HL=LumaWatt Fixture Control Module ¹³ (Allows low voltage control wire to be daisy-chained between fixtures outside AC conduit run similar to low voltage intercom's, fire alarms and phone systems)
QLL=Quartz Lamp Included (Lamp is Cooper designated product based on luminaire requirements. Lamp is shipped separate from luminaire unless otherwise noted)
FILT=Sintered Bronze filter (Sintered bronze filter prevents the entrance of contaminants)

Accessories ¹⁴
C3=3' Cord-No Plug - Requires FH-1, FL-1, or ⁹ SHK
PC3=3' Cord with NEMA Plug - (120V-L5, ⁹ 208V-L6-15P, 347V-L37-20P and 480V-L8-20P) Other cord lengths are available by specifying length (PC6 for 6' cord). Requires FH-1 or FL-1, or SHK. Use with TPPH-NEMA. Specify Voltage.
PHC= Power Hook Cord and Non-NEMA plug configuration. Must be used with FL-1 and TPPH (Thru-Way Pendant Power Hook)
PHC-NEMA= Power Cord and NEMA plug - 18" Power Cord and 20 Amp NEMA plug configuration. Must be used with FL-1 and TPPH-NEMA (Thru-Way Pendant Power Hook)
WG22/EP= Wire Guard
MBT= Twin Mount Bracket (Fixtures must be same voltage and without hooks, loops or plugs.)
TPPH= Thru-Way Pendant Power Hook. Requires FL-1 and PHC. Specify Voltage.
TPPH-F= Thru-Way Pendant Power Hook Single Fuse, 120, 277 or 347 Volt. Requires FL-1 and PHC. Specify Voltage.
TPPH-F2= Thru-Way Pendant Power Hook - Double Fused, 208, 240, or 480 Volt. Requires FL-1 and PHC. Specify Voltage.
TPPH-F-QD= Thru-Way Pendant Power Hook Single Fuse, Quick Disconnect. Requires FL-1 and PHC. Specify Voltage (120, 277, or 347V)
TPPH-F2-QD=Thru-Way Pendant Power Hook Double Fuse, Quick Disconnect. Requires FL-1 and PHC. Specify Voltage (208, 240, or 480V)
TPPH-NEMA=Thru-Way Pendant Power Hook. Requires FL-1 and PHC-XXXV-NEMA. (Specify
FH-1=Fixture Hook
FL-1=Fixture Loop
SHK=Hook with Safety Screw
TWMBMS=Thru-Way Mounting Box¹⁵

- Notes:**
- 1 Open Rated socket and lamp must be used.
 - 2 MH available in non-U.S. markets only.
 - 3 Not recommended for use with Metal Halide lamps due to rapid yellowing typical of polycarbonate material.
 - 4 Products also available in non-US voltages and 50HZ for international markets. Consult your Cooper Representative for availability and ordering information. 88% Efficient EISA Compliant MP Fixtures not available in 347V and TT Voltages.
 - 5 Multi-Tap ballast 120/208/240/277V wired 277V.
 - 6 Triple-Tap ballast 120/277/347V wired 347V.
 - 7 5-Tap ballast 120/208/240/277/480V wired 277V. 400W Metal Halide only. 88% efficient EISA Compliant MP fixtures not available in 5-Tap Voltages.
 - 8 Not applicable for HPS.
 - 9 Requires FH-1or FL-1or SHK.
 - 10 Not available with HL or HC options.
 - 11 Lamp is shipped separately.
 - 12 Not available with PC3, C3, PHC or MWS. Not available with single circuit MWS special order.
 - 13 30 second time delay when switching from bright to dim. Consult individual lamp manufacturers recommendations for compatible lamps. For use with CWA ballast only.
 - 14 Order separately.
 - 15 Specify L/TCB when using thru-way mounting box (TWMBMS) accessory.

LAMP TYPE	WATTAGE
Pulse Start Metal Halide (MP)	70, 100, 175, 200, 250, 320, 350, 400, 450W
Metal Halide (MH)	175, 250, 400W
High Pressure Sodium (HP)	70, 100, 150, 250, 400W

VOLTAGE CHART	
MT= Multi-Tap	120/208/240/277V (wired 277V)
TT= Triple-Tap	120/277/347V (wired 347V)
5T= 5-Tap ⁸	120/208/240/277/480V (wired 277V)

STOCK SAMPLE NUMBER

Stock Sample #: FS25-NL

F		
Series F=Enterprise	Lamp Type S=High Pressure Sodium M=Metal Halide P=Pulse Start Metal Halide	Lamp Wattage 25=250W 32=320W 35=350W 40=400W 40Q=400W and Quartz Restrike 258=250W (Canada, Triple-Tap Ballast) 408=400W (Canada, Triple-Tap Ballast)

NOTES:
 Options not available with stock products. Order Accessories as separate items for field installation. Refer to standard ordering information to add options and accessories.



Eaton
 1121 Highway 74 South
 Peachtree City, GA 30269
 P: 770-486-4800
 www.eaton.com/lighting

Specifications and dimensions subject to change without notice.