

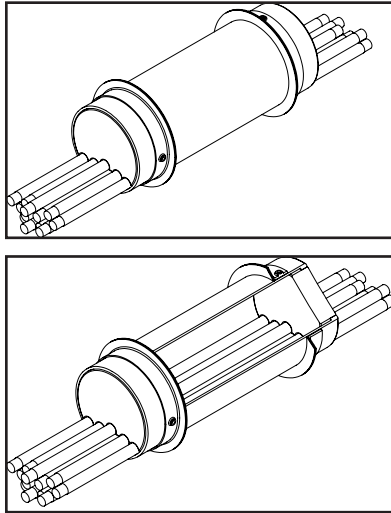


READY® SLEEVE FIRESTOP SLEEVE

APPLICATIONS

SpecSeal® READY® SLEEVE Pathways are used to protect or support cables in both non-rated and rated construction.

SpecSeal® READY® SLEEVE Pathways are suitable for use in all common constructions including concrete floors, concrete walls, concrete block walls, and gypsum board/stud wall assemblies up to 10" (254 mm) thick.



PRODUCT DESCRIPTION

SpecSeal® READY®SLEEVE Pathways are a complete UL® Classified out-of-the-box solution for new cable penetrations through walls. Each sleeve kit contains a precut metallic sleeve, mounting escutcheons, intumescent escutcheon gaskets, wall warning labels, and the amount of putty required to seal both ends.

SpecSeal® READY®SLEEVE Pathway kits are simple in design and installation. All sizes of the Sleeve Pathways include a unique press-fit end cap design to eliminate potential sharp edges and do away with the need for conduit bushings.

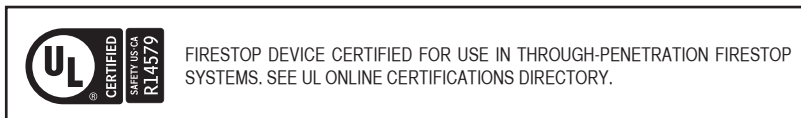
SpecSeal® READY®SLEEVE Pathways are sized to the same O.D. as standard EMT (Electrical Mechanical Tubing) and will accept EMT accessories such as grounding bushings. Additionally, SpecSeal® READY®SLEEVE Pathways provide an easy method for compliance with the sleeve attachment requirements of the 2009 IBC Section 713.2 without the need for struts or other bracing.

FEATURES

- **Economical:** Offers significant material and labor savings.
- **Ready to Install:** No cutting required, no waste!
- **Locks Into Place:** No support struts and clamps required
- **No External Firestop Seal Required:** Factory supplied intumescent firestop gasket
- **Firestop Putty Provided with Kit:** Sufficient to seal ends to 1" (25 mm) depth
- **UL Classified and Code Compliant**
- **For Rated and Non-Rated Barriers:** Putty seal impedes the passage of fire, smoke, superheated gases, particulate dust, and minimizes noise transmission

PERFORMANCE

SpecSeal® READY®SLEEVE pathways are UL tested and Classified in accordance with ASTM E814 (UL1479) and CAN-ULC- S115. Systems are available for cable penetrations through common wall constructions up to and including 4 hours.



PHYSICAL PROPERTIES

Available Sizes:	1" (25 mm), 2" (51 mm), and 4" (102 mm)
Sleeve and Plate:	
Construction:	0.059" (1.5 mm) thick steel (zinc plated)
Intumescent Gasket:	
Storage Temperature:	Less than 120°F (49°C)
Expansion Temperature:	350°F (177°C)
Volume Expansion:	15x (free expansion)
In Service Temperature:	-10°F (-23°C) to 120°F (49°C)
Putty Fill Material:	SpecSeal® Firestop Putty
Color:	Red
Odor:	None
Solids:	100%
Storage Temperature:	Less than 120°F (49°C)
Expansion Temperature:	230°F (110°C)
Volume Expansion:	8x (free expansion)
In Service Temperature:	-10°F (-23°C) to 120°F (49°C)
VOC Content:	0.00 lbs/gal (0.0 g/l)
Shelf Life:	No Limit

SPECIFICATIONS

All data, video, communication, power, and control cables shall be installed through sleeves wherever said cables penetrate fire resistance rated barriers. The sleeve shall be sized to accommodate the present cable bundle as well as anticipated growth. The sleeve kit shall include steel escutcheon plates and intumescent firestop gaskets sized to fit the specific outside diameter of the sleeve and sandwich the barrier to lock said sleeve in place. The sleeve shall be provided with a sufficient thickness of intumescent firestop putty to seal the ends of the sleeve to restrict the passage of fire, smoke, and superheated gases. The firestop sleeve shall be UL Classified and tested to the requirements of ASTM E 814 (ANSI/UL1479) and CAN-ULC- S115.

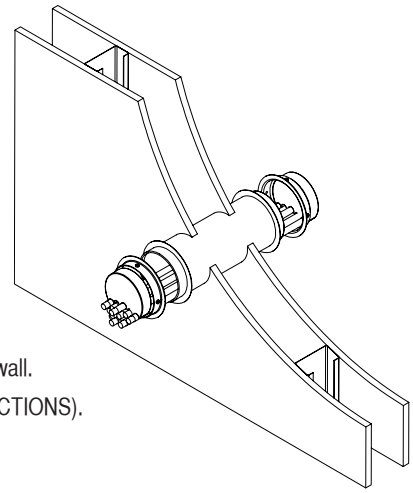
SPECIFIED DIVISIONS

Division 7	07 84 00	Through-Penetration Firestopping
Division 26	26 00 00	Basic Electrical Materials & Methods
Division 27	27 00 00	Communications



Table A:

Catalog Number	Trade Size*	Opening	
		Min. Opening	Max. Opening
FS100	1" (25 mm)	1.12" (28 mm)	1.25" (32 mm)
FS200/FS201	2" (51 mm)	2.38" (60 mm)	2.50" (64 mm)
FS400	4" (102 mm)	4.50" (114 mm)	4.75" (121 mm)
FS401	4" (102 mm)	4.50" (114 mm)	5.00" (127 mm)



INSTALLATION INSTRUCTIONS

SpecSeal® READY®SLEEVE pathways are easily installed using the following steps:

1. Create an appropriately sized opening through wall (See Table A).
2. Slide sleeve into opening. Center in wall with sleeve extending equidistant from both sides of wall.
NOTE: Sleeves can be pre-set to wall depth prior to installation (See INSTALLATION INSTRUCTIONS).
3. Install intumescent gaskets around ends of sleeve and slide to wall surface.
4. Install escutcheon plates around ends of sleeve and slide to wall.
5. With escutcheon plates held tightly to wall, tighten set screws.

FOR 3 & 4 HOUR WALLS: Note: Most barriers are rated at 2 hours or less. In situations where walls are rated for 3 or 4 hours, compress and pack tightly minimum 4 pcf (64 kg/m³) mineral wool batt insulation (not provided with kit) into sleeve prior to installation or putty. Mineral wool must be ordered separately (Catalog Number SSAMW). See UL Systems for more information. MINERAL WOOL IS NOT REQUIRED FOR 1 & 2 HOUR RATED WALLS.

CABLE AND FIRESTOP INSTALLATION

Install cables through sleeve. After installing cables, pack ends of sleeve with SpecSeal Firestop Putty (included). Install putty to a depth of 1" (25 mm). Pack putty completely around cable bundle sealing all gaps and interstices. Install Barrier Labels on both wall surfaces.

CABLE CHANGES AND MAINTENANCE

SpecSeal® Firestop Putty is permanently non-hardening to facilitate the removal or addition of cables. After cable changes, reinstall putty to original depth. NOTE: This product represents a UL Classified Firestop System. Only approved SpecSeal® materials may be used. NO SUBSTITUTIONS ARE PERMITTED.

TECHNICAL SERVICE

Technical information including Product Data Sheets, Installation Instructions, applicable UL Classified Systems, Certificates of Conformance, and suggested specifications are available at the company's web site (www.stifirestop.com). For other information, contact the factory directly by dialing (800) 992-1180.

PRECAUTIONARY INFORMATION

No unusual hazards are known or expected. Observe normal safety procedures during installation.

AVAILABILITY

SpecSeal® READY® SLEEVE Pathways are available from authorized STI distributors worldwide. Consult factory for the names and locations of the nearest sales representatives or distributors. Ordering information is listed below:

TABLE B: ORDERING INFORMATION

CAT. NO.	DESCRIPTION	Qty.	Case Qty.	Weight
FS100	1" (25 mm) sleeve, escutcheon plates, gaskets, and putty	1	6	1.00 lb. (.45 kg)
FS200	2" (51 mm) sleeve, escutcheon plates, gaskets, and putty	1	6	2.00 lb. (.90 kg)
FS400	4" (102 mm) sleeve, escutcheon plates, gaskets, and putty	1	6	4.00 lb. (1.8 kg)
FS201	2" (51 mm) sleeve, large escutcheon plates, gaskets and putty	1	N/A	2.60 lb. (1.3 kg)
FS401	4" (102 mm) sleeve, large escutcheon plates, gaskets and putty	1	N/A	4.80 lb. (2.2 kg)

LIMITED WARRANTY: STI warrants that its products will be free of defects for one year from the date of purchase. In the event a product does not conform to this warranty, the sole and exclusive remedy is, at STI's option, replacement of the product or refund of the purchase price. The warranty provided herein shall be void and of no effect in the event that the product is not installed in accordance with STI's published instructions, listed systems and applicable building and safety codes. THIS WARRANTY IS IN LIEU OF ALL OTHER REPRESENTATIONS AND EXPRESSED OR IMPLIED WARRANTIES (including the implied warranties of merchantability or fitness for a particular use) AND UNDER NO CIRCUMSTANCES SHALL STI BE LIABLE FOR ANY DIRECT, INDIRECT, SPECIAL, INCIDENTAL OR CONSEQUENTIAL DAMAGES OR LOSSES, INCLUDING, WITHOUT LIMITATION, ANY LOSS OF REVENUE, PROFIT OR USE. Prior to use, the user shall determine the suitability of the product for its intended use, and the user assumes all risks and liability for subsequent use. No person other than an officer of STI is authorized to bind STI to any other warranty for any product for which this warranty is issued.

MADE IN THE USA – COPYRIGHT © 2015 SPECIFIED TECHNOLOGIES INC.



Specified Technologies Inc.

Specified Technologies Inc. • Somerville NJ 08876 • Phone: 800.992.1180 • Fax: 908.526.9623



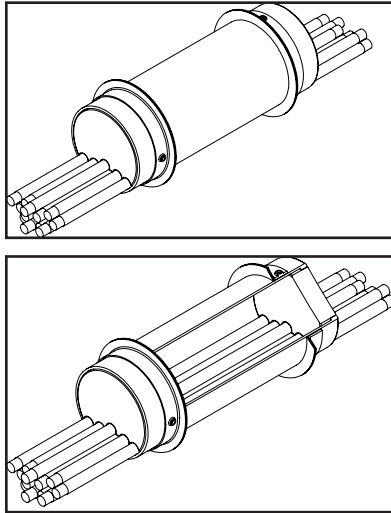


READY® SLEEVE FIRESTOP SLEEVE

APPLICATIONS

SpecSeal® READY® SLEEVE Pathways are used to protect or support cables in both non-rated and rated construction.

SpecSeal® READY® SLEEVE Pathways are suitable for use in all common constructions including concrete floors, concrete walls, concrete block walls, and gypsum board/stud wall assemblies up to 10" (254 mm) thick.



PRODUCT DESCRIPTION

SpecSeal® READY®SLEEVE Pathways are a complete UL® Classified out-of-the-box solution for new cable penetrations through walls. Each sleeve kit contains a precut metallic sleeve, mounting escutcheons, intumescent escutcheon gaskets, wall warning labels, and the amount of putty required to seal both ends.

SpecSeal® READY®SLEEVE Pathway kits are simple in design and installation. All sizes of the Sleeve Pathways include a unique press-fit end cap design to eliminate potential sharp edges and do away with the need for conduit bushings.

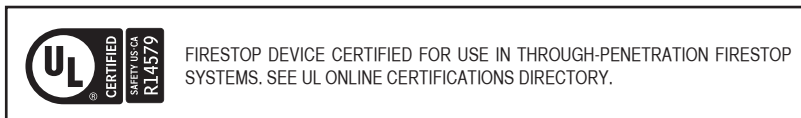
SpecSeal® READY®SLEEVE Pathways are sized to the same O.D. as standard EMT (Electrical Mechanical Tubing) and will accept EMT accessories such as grounding bushings. Additionally, SpecSeal® READY®SLEEVE Pathways provide an easy method for compliance with the sleeve attachment requirements of the 2009 IBC Section 713.2 without the need for struts or other bracing.

FEATURES

- **Economical:** Offers significant material and labor savings.
- **Ready to Install:** No cutting required, no waste!
- **Locks Into Place:** No support struts and clamps required
- **No External Firestop Seal Required:** Factory supplied intumescent firestop gasket
- **Firestop Putty Provided with Kit:** Sufficient to seal ends to 1" (25 mm) depth
- **UL Classified and Code Compliant**
- **For Rated and Non-Rated Barriers:** Putty seal impedes the passage of fire, smoke, superheated gases, particulate dust, and minimizes noise transmission

PERFORMANCE

SpecSeal® READY®SLEEVE pathways are UL tested and Classified in accordance with ASTM E814 (UL1479) and CAN-ULC- S115. Systems are available for cable penetrations through common wall constructions up to and including 4 hours.



PHYSICAL PROPERTIES

Available Sizes:	1" (25 mm), 2" (51 mm), and 4" (102 mm)
Sleeve and Plate:	
Construction:	0.059" (1.5 mm) thick steel (zinc plated)
Intumescent Gasket:	
Storage Temperature:	Less than 120°F (49°C)
Expansion Temperature:	350°F (177°C)
Volume Expansion:	15x (free expansion)
In Service Temperature:	-10°F (-23°C) to 120°F (49°C)
Putty Fill Material:	SpecSeal® Firestop Putty
Color:	Red
Odor:	None
Solids:	100%
Storage Temperature:	Less than 120°F (49°C)
Expansion Temperature:	230°F (110°C)
Volume Expansion:	8x (free expansion)
In Service Temperature:	-10°F (-23°C) to 120°F (49°C)
VOC Content:	0.00 lbs/gal (0.0 g/l)
Shelf Life:	No Limit

SPECIFICATIONS

All data, video, communication, power, and control cables shall be installed through sleeves wherever said cables penetrate fire resistance rated barriers. The sleeve shall be sized to accommodate the present cable bundle as well as anticipated growth. The sleeve kit shall include steel escutcheon plates and intumescent firestop gaskets sized to fit the specific outside diameter of the sleeve and sandwich the barrier to lock said sleeve in place. The sleeve shall be provided with a sufficient thickness of intumescent firestop putty to seal the ends of the sleeve to restrict the passage of fire, smoke, and superheated gases. The firestop sleeve shall be UL Classified and tested to the requirements of ASTM E 814 (ANSI/UL1479) and CAN-ULC- S115.

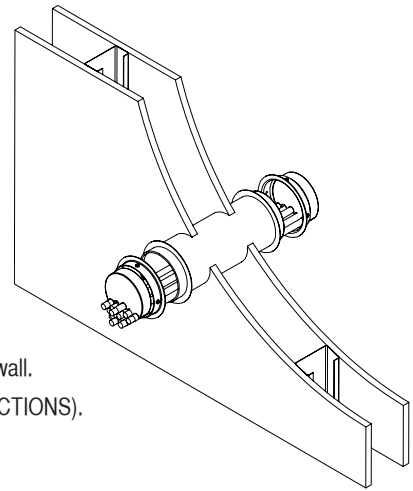
SPECIFIED DIVISIONS

Division 7	07 84 00	Through-Penetration Firestopping
Division 26	26 00 00	Basic Electrical Materials & Methods
Division 27	27 00 00	Communications



Table A:

Catalog Number	Trade Size*	Opening	
		Min. Opening	Max. Opening
FS100	1" (25 mm)	1.12" (28 mm)	1.25" (32 mm)
FS200/FS201	2" (51 mm)	2.38" (60 mm)	2.50" (64 mm)
FS400	4" (102 mm)	4.50" (114 mm)	4.75" (121 mm)
FS401	4" (102 mm)	4.50" (114 mm)	5.00" (127 mm)



INSTALLATION INSTRUCTIONS

SpecSeal® READY® SLEEVE pathways are easily installed using the following steps:

1. Create an appropriately sized opening through wall (See Table A).
2. Slide sleeve into opening. Center in wall with sleeve extending equidistant from both sides of wall.
NOTE: Sleeves can be pre-set to wall depth prior to installation (See INSTALLATION INSTRUCTIONS).
3. Install intumescent gaskets around ends of sleeve and slide to wall surface.
4. Install escutcheon plates around ends of sleeve and slide to wall.
5. With escutcheon plates held tightly to wall, tighten set screws.

FOR 3 & 4 HOUR WALLS: Note: Most barriers are rated at 2 hours or less. In situations where walls are rated for 3 or 4 hours, compress and pack tightly minimum 4 pcf (64 kg/m³) mineral wool batt insulation (not provided with kit) into sleeve prior to installation or putty. Mineral wool must be ordered separately (Catalog Number SSAMW). See UL Systems for more information. MINERAL WOOL IS NOT REQUIRED FOR 1 & 2 HOUR RATED WALLS.

CABLE AND FIRESTOP INSTALLATION

Install cables through sleeve. After installing cables, pack ends of sleeve with SpecSeal Firestop Putty (included). Install putty to a depth of 1" (25 mm). Pack putty completely around cable bundle sealing all gaps and interstices. Install Barrier Labels on both wall surfaces.

CABLE CHANGES AND MAINTENANCE

SpecSeal® Firestop Putty is permanently non-hardening to facilitate the removal or addition of cables. After cable changes, reinstall putty to original depth. NOTE: This product represents a UL Classified Firestop System. Only approved SpecSeal® materials may be used. NO SUBSTITUTIONS ARE PERMITTED.

TECHNICAL SERVICE

Technical information including Product Data Sheets, Installation Instructions, applicable UL Classified Systems, Certificates of Conformance, and suggested specifications are available at the company's web site (www.stifirestop.com). For other information, contact the factory directly by dialing (800) 992-1180.

PRECAUTIONARY INFORMATION

No unusual hazards are known or expected. Observe normal safety procedures during installation.

AVAILABILITY

SpecSeal® READY® SLEEVE Pathways are available from authorized STI distributors worldwide. Consult factory for the names and locations of the nearest sales representatives or distributors. Ordering information is listed below:

TABLE B: ORDERING INFORMATION

CAT. NO.	DESCRIPTION	Qty.	Case Qty.	Weight
FS100	1" (25 mm) sleeve, escutcheon plates, gaskets, and putty	1	6	1.00 lb. (.45 kg)
FS200	2" (51 mm) sleeve, escutcheon plates, gaskets, and putty	1	6	2.00 lb. (.90 kg)
FS400	4" (102 mm) sleeve, escutcheon plates, gaskets, and putty	1	6	4.00 lb. (1.8 kg)
FS201	2" (51 mm) sleeve, large escutcheon plates, gaskets and putty	1	N/A	2.60 lb. (1.3 kg)
FS401	4" (102 mm) sleeve, large escutcheon plates, gaskets and putty	1	N/A	4.80 lb. (2.2 kg)

LIMITED WARRANTY: STI warrants that its products will be free of defects for one year from the date of purchase. In the event a product does not conform to this warranty, the sole and exclusive remedy is, at STI's option, replacement of the product or refund of the purchase price. The warranty provided herein shall be void and of no effect in the event that the product is not installed in accordance with STI's published instructions, listed systems and applicable building and safety codes. THIS WARRANTY IS IN LIEU OF ALL OTHER REPRESENTATIONS AND EXPRESSED OR IMPLIED WARRANTIES (including the implied warranties of merchantability or fitness for a particular use) AND UNDER NO CIRCUMSTANCES SHALL STI BE LIABLE FOR ANY DIRECT, INDIRECT, SPECIAL, INCIDENTAL OR CONSEQUENTIAL DAMAGES OR LOSSES, INCLUDING, WITHOUT LIMITATION, ANY LOSS OF REVENUE, PROFIT OR USE. Prior to use, the user shall determine the suitability of the product for its intended use, and the user assumes all risks and liability for subsequent use. No person other than an officer of STI is authorized to bind STI to any other warranty for any product for which this warranty is issued.

MADE IN THE USA – COPYRIGHT © 2015 SPECIFIED TECHNOLOGIES INC.



Specified Technologies Inc.

Specified Technologies Inc. • Somerville NJ 08876 • Phone: 800.992.1180 • Fax: 908.526.9623

