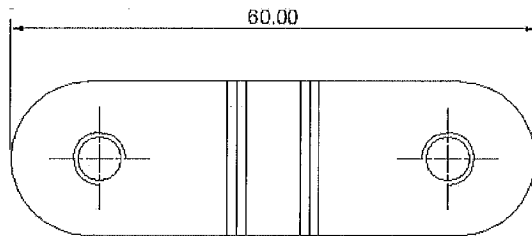
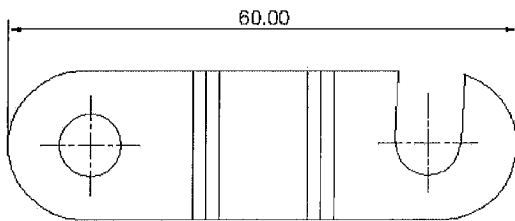
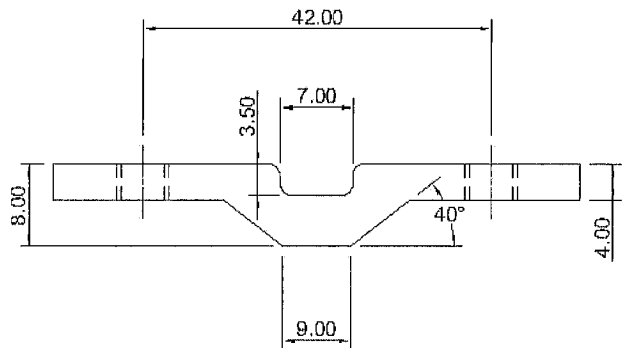
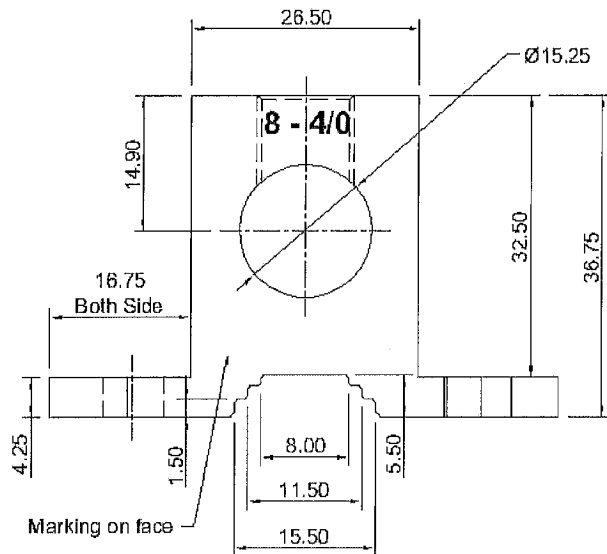
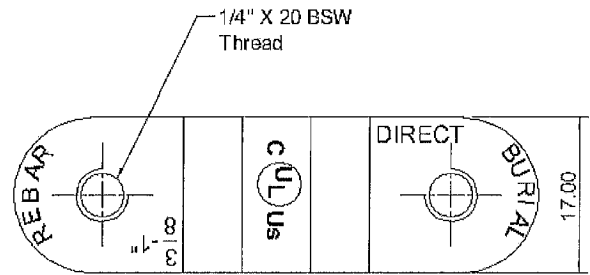
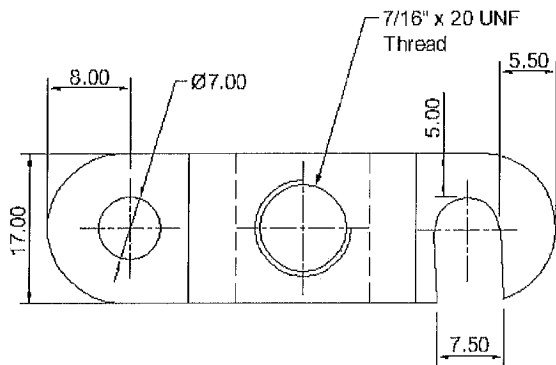


	NAME	DATE					
DRAWN	SD	15/01/2003					
CHECKED	KM	15/01/2003					
APPROVED	KM	15/01/2003	A	Dimensions Revised	25/01/10	Jaysukh	Sunil
MATERIAL - Stainless Steel & Copper Alloy with copper above 80 %			Rev. No.	Details of Revision	Date	Drawn	Approved
TREATMENT -							
TOLERANCE - ±0.50			TITLE - Ground Clamp for REBAR (Part Number G-140DB)				
SCALE - N.T.S.							
All dimensions are in mm.			Drawing No.-	1324/a	Weight :-	Size :- A4	



	NAME	DATE					
DRAWN	SD	15/01/2003					
CHECKED	KM	15/01/2003	B	Dimension Revised	10/06/10	Parmar	V.G. Patel
APPROVED	KM	15/01/2003	A	Dimension Revised	25/01/10	Jaysukh	Sunil
MATERIAL - Copper Alloy with copper above 80 %			Rev. No.	Details of Revision	Date	Drawn	Approved
TREATMENT - Shot Blasting							
TOLERANCE - ±1.00			TITLE - Ground Clamp for REBAR (Part Number G-140DB)				
SCALE - N.T.S.							
All dimensions are in mm.			Drawing No. - 1324/b		Weight :-		Size :- A4