



GALVANIZED CONDUIT NIPPLES

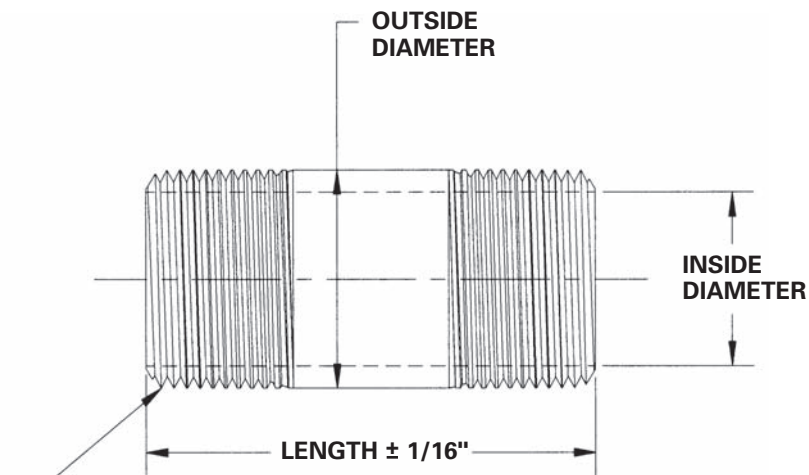
GALVANIZED CONDUIT NIPPLES

| CATALOG NUMBER | DESCRIPTION | WEIGHT PER 100 PIECES (lbs) | STANDARD CARTON |
|----------------|---------------------------|-----------------------------|-----------------|
| GALNIP1/2X4 | 1/2X4 GALVANIZED NIPPLE | 26 | 25 |
| GALNIP3/4X4 | 3/4X4 GALVANIZED NIPPLE | 34 | 25 |
| GALNIP1X4 | 1X4 GALVANIZED NIPPLE | 49 | 25 |
| GALNIP1-1/4X4 | 1 1/4X4 GALVANIZED NIPPLE | 66 | 25 |
| GALNIP1-1/2X4 | 1 1/2X4 GALVANIZED NIPPLE | 80 | 25 |
| GALNIP2X4 | 2X4 GALVANIZED NIPPLE | 103 | 25 |
| GALNIP2-1/2X4 | 2 1/2X4 GALVANIZED NIPPLE | 150 | 10 |
| GALNIP3X4 | 3X4 GALVANIZED NIPPLE | 200 | 10 |
| GALNIP3-1/2X4 | 3 1/2X4 GALVANIZED NIPPLE | 240 | 5 |
| GALNIP4X4 | 4X4 GALVANIZED NIPPLE | 285 | 6 |
| GALNIP1/2X5 | 1/2X5 GALVANIZED NIPPLE | 33 | 25 |
| GALNIP3/4X5 | 3/4X5 GALVANIZED NIPPLE | 43 | 25 |
| GALNIP1X5 | 1X5 GALVANIZED NIPPLE | 64 | 25 |
| GALNIP1-1/4X5 | 1 1/4X5 GALVANIZED NIPPLE | 84 | 25 |
| GALNIP1-1/2X5 | 1 1/2X5 GALVANIZED NIPPLE | 103 | 25 |
| GALNIP2X5 | 2X5 GALVANIZED NIPPLE | 132 | 25 |
| GALNIP2-1/2X5 | 2 1/2X5 GALVANIZED NIPPLE | 197 | 10 |
| GALNIP3X5 | 3X5 GALVANIZED NIPPLE | 260 | 10 |
| GALNIP3-1/2X5 | 3 1/2X5 GALVANIZED NIPPLE | 320 | 5 |
| GALNIP4X5 | 4X5 GALVANIZED NIPPLE | 380 | 6 |
| GALNIP5X5 | 5X5 GALVANIZED NIPPLE | 480 | BLK |
| GALNIP6X5 | 6X5 GALVANIZED NIPPLE | 660 | BLK |
| GALNIP1/2X6 | 1/2X6 GALVANIZED NIPPLE | 40 | 25 |
| GALNIP3/4X6 | 3/4X6 GALVANIZED NIPPLE | 52 | 25 |
| GALNIP1X6 | 1X6 GALVANIZED NIPPLE | 78 | 25 |
| GALNIP1-1/4X6 | 1 1/4X6 GALVANIZED NIPPLE | 100 | 25 |
| GALNIP1-1/2X6 | 1 1/2X6 GALVANIZED NIPPLE | 122 | 25 |
| GALNIP2X6 | 2X6 GALVANIZED NIPPLE | 160 | 25 |
| GALNIP2-1/2X6 | 2 1/2X6 GALVANIZED NIPPLE | 240 | 10 |
| GALNIP3X6 | 3X6 GALVANIZED NIPPLE | 300 | 10 |
| GALNIP3-1/2X6 | 3 1/2X6 GALVANIZED NIPPLE | 373 | 5 |
| GALNIP4X6 | 4X6 GALVANIZED NIPPLE | 440 | 5 |
| GALNIP5X6 | 5X6 GALVANIZED NIPPLE | 600 | BLK |
| GALNIP6X6 | 6X6 GALVANIZED NIPPLE | 820 | BLK |
| GALNIP1/2X8 | 1/2X8 GALVANIZED NIPPLE | 54 | 25 |
| GALNIP3/4X8 | 3/4X8 GALVANIZED NIPPLE | 73 | 25 |
| GALNIP1X8 | 1X8 GALVANIZED NIPPLE | 109 | 25 |
| GALNIP1-1/4X8 | 1 1/4X8 GALVANIZED NIPPLE | 136 | 10 |
| GALNIP1-1/2X8 | 1 1/2X8 GALVANIZED NIPPLE | 170 | 10 |
| GALNIP2X8 | 2X8 GALVANIZED NIPPLE | 220 | 10 |
| GALNIP2-1/2X8 | 2 1/2X8 GALVANIZED NIPPLE | 329 | 5 |
| GALNIP3X8 | 3X8 GALVANIZED NIPPLE | 411 | 5 |
| GALNIP3-1/2X8 | 3 1/2X8 GALVANIZED NIPPLE | 510 | 5 |
| GALNIP4X8 | 4X8 GALVANIZED NIPPLE | 600 | 3 |
| GALNIP5X8 | 5X8 GALVANIZED NIPPLE | 825 | BLK |
| GALNIP6X8 | 6X8 GALVANIZED NIPPLE | 1125 | BLK |

Continued next page

RIGID CONDUIT NIPPLES

RIGID CONDUIT NIPPLES • TYPE - RIGID STEEL AND ALUMINUM



**STANDARD NPT TAPERED PIPE THREADS
AS PER ANSI/ASME B1.20.1 SPECIFICATION.**

Material - Rigid Steel Conduit - (UL6)
Aluminum Conduit - (UL6A)

Applicable Specification:
Underwriters Laboratories - UL 6 for Rigid
UL 6A for Aluminum

| Pipe Size (in.) | Pipe O.D. (in.) | Length Close (in.) | Pipe Nipple Lengths | | | | | | | | | | | | | | | |
|-----------------|-----------------|--------------------|---------------------|---|-------|---|-------|---|-------|---|-------|---|---|---|---|----|----|----|
| | | | 1 1/2 | 2 | 2 1/2 | 3 | 3 1/2 | 4 | 4 1/2 | 5 | 5 1/2 | 6 | 7 | 8 | 9 | 10 | 11 | 12 |
| 1/2 | 0.84 | 1 1/8 | 1 1/2 | 2 | 2 1/2 | 3 | 3 1/2 | 4 | 4 1/2 | 5 | 5 1/2 | 6 | 7 | 8 | 9 | 10 | 11 | 12 |
| 3/4 | 1.05 | 1 3/8 | 1 1/2 | 2 | 2 1/2 | 3 | 3 1/2 | 4 | 4 1/2 | 5 | 5 1/2 | 6 | 7 | 8 | 9 | 10 | 11 | 12 |
| 1 | 1.315 | 1 1/2 | | 2 | 2 1/2 | 3 | 3 1/2 | 4 | 4 1/2 | 5 | 5 1/2 | 6 | 7 | 8 | 9 | 10 | 11 | 12 |
| 1 1/4 | 1.66 | 1 5/8 | | 2 | 2 1/2 | 3 | 3 1/2 | 4 | 4 1/2 | 5 | 5 1/2 | 6 | 7 | 8 | 9 | 10 | 11 | 12 |
| 1 1/2 | 1.9 | 1 3/4 | | 2 | 2 1/2 | 3 | 3 1/2 | 4 | 4 1/2 | 5 | 5 1/2 | 6 | 7 | 8 | 9 | 10 | 11 | 12 |
| 2 | 2.375 | 2 | | | 2 1/2 | 3 | 3 1/2 | 4 | 4 1/2 | 5 | 5 1/2 | 6 | 7 | 8 | 9 | 10 | 11 | 12 |
| 2 1/2 | 2.875 | 2 1/2 | | | | 3 | 3 1/2 | 4 | 4 1/2 | 5 | 5 1/2 | 6 | 7 | 8 | 9 | 10 | 11 | 12 |
| 3 | 3.5 | 2 5/8 | | | | 3 | 3 1/2 | 4 | 4 1/2 | 5 | 5 1/2 | 6 | 7 | 8 | 9 | 10 | 11 | 12 |
| 3 1/2 | 4 | 2 3/4 | | | | | | 4 | 4 1/2 | 5 | 5 1/2 | 6 | 7 | 8 | 9 | 10 | 11 | 12 |
| 4 | 4.5 | 2 7/8 | | | | | | 4 | 4 1/2 | 5 | 5 1/2 | 6 | 7 | 8 | 9 | 10 | 11 | 12 |
| 5 | 5.563 | 3 | | | | | | | 4 1/2 | 5 | 5 1/2 | 6 | 7 | 8 | 9 | 10 | 11 | 12 |
| 6 | 6.625 | 3 1/8 | | | | | | | 4 1/2 | 5 | 5 1/2 | 6 | 7 | 8 | 9 | 10 | 11 | 12 |



GALVANIZED CONDUIT NIPPLES

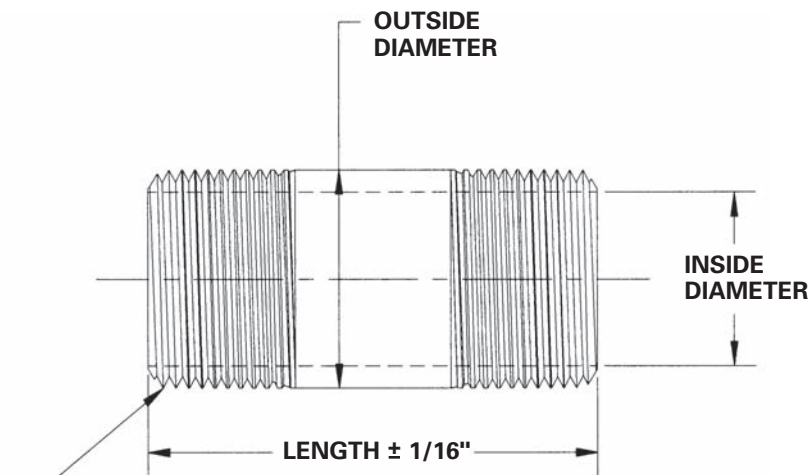
GALVANIZED CONDUIT NIPPLES

| CATALOG NUMBER | DESCRIPTION | WEIGHT PER 100 PIECES (lbs) | STANDARD CARTON |
|----------------|---------------------------|-----------------------------|-----------------|
| GALNIP1/2X4 | 1/2X4 GALVANIZED NIPPLE | 26 | 25 |
| GALNIP3/4X4 | 3/4X4 GALVANIZED NIPPLE | 34 | 25 |
| GALNIP1X4 | 1X4 GALVANIZED NIPPLE | 49 | 25 |
| GALNIP1-1/4X4 | 1 1/4X4 GALVANIZED NIPPLE | 66 | 25 |
| GALNIP1-1/2X4 | 1 1/2X4 GALVANIZED NIPPLE | 80 | 25 |
| GALNIP2X4 | 2X4 GALVANIZED NIPPLE | 103 | 25 |
| GALNIP2-1/2X4 | 2 1/2X4 GALVANIZED NIPPLE | 150 | 10 |
| GALNIP3X4 | 3X4 GALVANIZED NIPPLE | 200 | 10 |
| GALNIP3-1/2X4 | 3 1/2X4 GALVANIZED NIPPLE | 240 | 5 |
| GALNIP4X4 | 4X4 GALVANIZED NIPPLE | 285 | 6 |
| GALNIP1/2X5 | 1/2X5 GALVANIZED NIPPLE | 33 | 25 |
| GALNIP3/4X5 | 3/4X5 GALVANIZED NIPPLE | 43 | 25 |
| GALNIP1X5 | 1X5 GALVANIZED NIPPLE | 64 | 25 |
| GALNIP1-1/4X5 | 1 1/4X5 GALVANIZED NIPPLE | 84 | 25 |
| GALNIP1-1/2X5 | 1 1/2X5 GALVANIZED NIPPLE | 103 | 25 |
| GALNIP2X5 | 2X5 GALVANIZED NIPPLE | 132 | 25 |
| GALNIP2-1/2X5 | 2 1/2X5 GALVANIZED NIPPLE | 197 | 10 |
| GALNIP3X5 | 3X5 GALVANIZED NIPPLE | 260 | 10 |
| GALNIP3-1/2X5 | 3 1/2X5 GALVANIZED NIPPLE | 320 | 5 |
| GALNIP4X5 | 4X5 GALVANIZED NIPPLE | 380 | 6 |
| GALNIP5X5 | 5X5 GALVANIZED NIPPLE | 480 | BLK |
| GALNIP6X5 | 6X5 GALVANIZED NIPPLE | 660 | BLK |
| GALNIP1/2X6 | 1/2X6 GALVANIZED NIPPLE | 40 | 25 |
| GALNIP3/4X6 | 3/4X6 GALVANIZED NIPPLE | 52 | 25 |
| GALNIP1X6 | 1X6 GALVANIZED NIPPLE | 78 | 25 |
| GALNIP1-1/4X6 | 1 1/4X6 GALVANIZED NIPPLE | 100 | 25 |
| GALNIP1-1/2X6 | 1 1/2X6 GALVANIZED NIPPLE | 122 | 25 |
| GALNIP2X6 | 2X6 GALVANIZED NIPPLE | 160 | 25 |
| GALNIP2-1/2X6 | 2 1/2X6 GALVANIZED NIPPLE | 240 | 10 |
| GALNIP3X6 | 3X6 GALVANIZED NIPPLE | 300 | 10 |
| GALNIP3-1/2X6 | 3 1/2X6 GALVANIZED NIPPLE | 373 | 5 |
| GALNIP4X6 | 4X6 GALVANIZED NIPPLE | 440 | 5 |
| GALNIP5X6 | 5X6 GALVANIZED NIPPLE | 600 | BLK |
| GALNIP6X6 | 6X6 GALVANIZED NIPPLE | 820 | BLK |
| GALNIP1/2X8 | 1/2X8 GALVANIZED NIPPLE | 54 | 25 |
| GALNIP3/4X8 | 3/4X8 GALVANIZED NIPPLE | 73 | 25 |
| GALNIP1X8 | 1X8 GALVANIZED NIPPLE | 109 | 25 |
| GALNIP1-1/4X8 | 1 1/4X8 GALVANIZED NIPPLE | 136 | 10 |
| GALNIP1-1/2X8 | 1 1/2X8 GALVANIZED NIPPLE | 170 | 10 |
| GALNIP2X8 | 2X8 GALVANIZED NIPPLE | 220 | 10 |
| GALNIP2-1/2X8 | 2 1/2X8 GALVANIZED NIPPLE | 329 | 5 |
| GALNIP3X8 | 3X8 GALVANIZED NIPPLE | 411 | 5 |
| GALNIP3-1/2X8 | 3 1/2X8 GALVANIZED NIPPLE | 510 | 5 |
| GALNIP4X8 | 4X8 GALVANIZED NIPPLE | 600 | 3 |
| GALNIP5X8 | 5X8 GALVANIZED NIPPLE | 825 | BLK |
| GALNIP6X8 | 6X8 GALVANIZED NIPPLE | 1125 | BLK |

Continued next page

RIGID CONDUIT NIPPLES

RIGID CONDUIT NIPPLES • TYPE - RIGID STEEL AND ALUMINUM



**STANDARD NPT TAPERED PIPE THREADS
AS PER ANSI/ASME B1.20.1 SPECIFICATION.**

Material - Rigid Steel Conduit - (UL6)
Aluminum Conduit - (UL6A)

Applicable Specification:
Underwriters Laboratories - UL 6 for Rigid
UL 6A for Aluminum

| Pipe Size (in.) | Pipe O.D. (in.) | Length Close (in.) | Pipe Nipple Lengths | | | | | | | | | | | | | | | |
|-----------------|-----------------|--------------------|---------------------|---|-------|---|-------|---|-------|---|-------|---|---|---|---|----|----|----|
| | | | 1 1/2 | 2 | 2 1/2 | 3 | 3 1/2 | 4 | 4 1/2 | 5 | 5 1/2 | 6 | 7 | 8 | 9 | 10 | 11 | 12 |
| 1/2 | 0.84 | 1 1/8 | 1 1/2 | 2 | 2 1/2 | 3 | 3 1/2 | 4 | 4 1/2 | 5 | 5 1/2 | 6 | 7 | 8 | 9 | 10 | 11 | 12 |
| 3/4 | 1.05 | 1 3/8 | 1 1/2 | 2 | 2 1/2 | 3 | 3 1/2 | 4 | 4 1/2 | 5 | 5 1/2 | 6 | 7 | 8 | 9 | 10 | 11 | 12 |
| 1 | 1.315 | 1 1/2 | | 2 | 2 1/2 | 3 | 3 1/2 | 4 | 4 1/2 | 5 | 5 1/2 | 6 | 7 | 8 | 9 | 10 | 11 | 12 |
| 1 1/4 | 1.66 | 1 5/8 | | 2 | 2 1/2 | 3 | 3 1/2 | 4 | 4 1/2 | 5 | 5 1/2 | 6 | 7 | 8 | 9 | 10 | 11 | 12 |
| 1 1/2 | 1.9 | 1 3/4 | | 2 | 2 1/2 | 3 | 3 1/2 | 4 | 4 1/2 | 5 | 5 1/2 | 6 | 7 | 8 | 9 | 10 | 11 | 12 |
| 2 | 2.375 | 2 | | | 2 1/2 | 3 | 3 1/2 | 4 | 4 1/2 | 5 | 5 1/2 | 6 | 7 | 8 | 9 | 10 | 11 | 12 |
| 2 1/2 | 2.875 | 2 1/2 | | | | 3 | 3 1/2 | 4 | 4 1/2 | 5 | 5 1/2 | 6 | 7 | 8 | 9 | 10 | 11 | 12 |
| 3 | 3.5 | 2 5/8 | | | | 3 | 3 1/2 | 4 | 4 1/2 | 5 | 5 1/2 | 6 | 7 | 8 | 9 | 10 | 11 | 12 |
| 3 1/2 | 4 | 2 3/4 | | | | | | 4 | 4 1/2 | 5 | 5 1/2 | 6 | 7 | 8 | 9 | 10 | 11 | 12 |
| 4 | 4.5 | 2 7/8 | | | | | | 4 | 4 1/2 | 5 | 5 1/2 | 6 | 7 | 8 | 9 | 10 | 11 | 12 |
| 5 | 5.563 | 3 | | | | | | | 4 1/2 | 5 | 5 1/2 | 6 | 7 | 8 | 9 | 10 | 11 | 12 |
| 6 | 6.625 | 3 1/8 | | | | | | | 4 1/2 | 5 | 5 1/2 | 6 | 7 | 8 | 9 | 10 | 11 | 12 |