



**GALVANIZED CONDUIT NIPPLES**

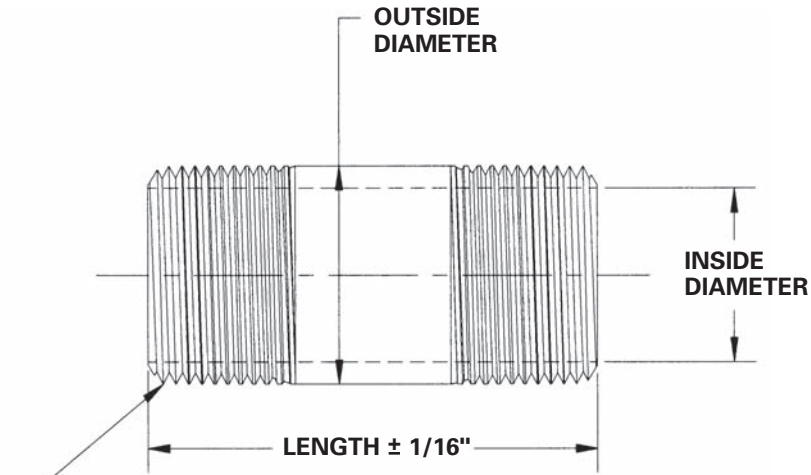
**GALVANIZED CONDUIT NIPPLES**

| CATALOG NUMBER | DESCRIPTION               | WEIGHT PER 100 PIECES (lbs) | STANDARD CARTON |
|----------------|---------------------------|-----------------------------|-----------------|
| GALNIP1/2X4    | 1/2X4 GALVANIZED NIPPLE   | 26                          | 25              |
| GALNIP3/4X4    | 3/4X4 GALVANIZED NIPPLE   | 34                          | 25              |
| GALNIP1X4      | 1X4 GALVANIZED NIPPLE     | 49                          | 25              |
| GALNIP1-1/4X4  | 1 1/4X4 GALVANIZED NIPPLE | 66                          | 25              |
| GALNIP1-1/2X4  | 1 1/2X4 GALVANIZED NIPPLE | 80                          | 25              |
| GALNIP2X4      | 2X4 GALVANIZED NIPPLE     | 103                         | 25              |
| GALNIP2-1/2X4  | 2 1/2X4 GALVANIZED NIPPLE | 150                         | 10              |
| GALNIP3X4      | 3X4 GALVANIZED NIPPLE     | 200                         | 10              |
| GALNIP3-1/2X4  | 3 1/2X4 GALVANIZED NIPPLE | 240                         | 5               |
| GALNIP4X4      | 4X4 GALVANIZED NIPPLE     | 285                         | 6               |
| GALNIP1/2X5    | 1/2X5 GALVANIZED NIPPLE   | 33                          | 25              |
| GALNIP3/4X5    | 3/4X5 GALVANIZED NIPPLE   | 43                          | 25              |
| GALNIP1X5      | 1X5 GALVANIZED NIPPLE     | 64                          | 25              |
| GALNIP1-1/4X5  | 1 1/4X5 GALVANIZED NIPPLE | 84                          | 25              |
| GALNIP1-1/2X5  | 1 1/2X5 GALVANIZED NIPPLE | 103                         | 25              |
| GALNIP2X5      | 2X5 GALVANIZED NIPPLE     | 132                         | 25              |
| GALNIP2-1/2X5  | 2 1/2X5 GALVANIZED NIPPLE | 197                         | 10              |
| GALNIP3X5      | 3X5 GALVANIZED NIPPLE     | 260                         | 10              |
| GALNIP3-1/2X5  | 3 1/2X5 GALVANIZED NIPPLE | 320                         | 5               |
| GALNIP4X5      | 4X5 GALVANIZED NIPPLE     | 380                         | 6               |
| GALNIP5X5      | 5X5 GALVANIZED NIPPLE     | 480                         | BLK             |
| GALNIP6X5      | 6X5 GALVANIZED NIPPLE     | 660                         | BLK             |
| GALNIP1/2X6    | 1/2X6 GALVANIZED NIPPLE   | 40                          | 25              |
| GALNIP3/4X6    | 3/4X6 GALVANIZED NIPPLE   | 52                          | 25              |
| GALNIP1X6      | 1X6 GALVANIZED NIPPLE     | 78                          | 25              |
| GALNIP1-1/4X6  | 1 1/4X6 GALVANIZED NIPPLE | 100                         | 25              |
| GALNIP1-1/2X6  | 1 1/2X6 GALVANIZED NIPPLE | 122                         | 25              |
| GALNIP2X6      | 2X6 GALVANIZED NIPPLE     | 160                         | 25              |
| GALNIP2-1/2X6  | 2 1/2X6 GALVANIZED NIPPLE | 240                         | 10              |
| GALNIP3X6      | 3X6 GALVANIZED NIPPLE     | 300                         | 10              |
| GALNIP3-1/2X6  | 3 1/2X6 GALVANIZED NIPPLE | 373                         | 5               |
| GALNIP4X6      | 4X6 GALVANIZED NIPPLE     | 440                         | 5               |
| GALNIP5X6      | 5X6 GALVANIZED NIPPLE     | 600                         | BLK             |
| GALNIP6X6      | 6X6 GALVANIZED NIPPLE     | 820                         | BLK             |
| GALNIP1/2X8    | 1/2X8 GALVANIZED NIPPLE   | 54                          | 25              |
| GALNIP3/4X8    | 3/4X8 GALVANIZED NIPPLE   | 73                          | 25              |
| GALNIP1X8      | 1X8 GALVANIZED NIPPLE     | 109                         | 25              |
| GALNIP1-1/4X8  | 1 1/4X8 GALVANIZED NIPPLE | 136                         | 10              |
| GALNIP1-1/2X8  | 1 1/2X8 GALVANIZED NIPPLE | 170                         | 10              |
| GALNIP2X8      | 2X8 GALVANIZED NIPPLE     | 220                         | 10              |
| GALNIP2-1/2X8  | 2 1/2X8 GALVANIZED NIPPLE | 329                         | 5               |
| GALNIP3X8      | 3X8 GALVANIZED NIPPLE     | 411                         | 5               |
| GALNIP3-1/2X8  | 3 1/2X8 GALVANIZED NIPPLE | 510                         | 5               |
| GALNIP4X8      | 4X8 GALVANIZED NIPPLE     | 600                         | 3               |
| GALNIP5X8      | 5X8 GALVANIZED NIPPLE     | 825                         | BLK             |
| GALNIP6X8      | 6X8 GALVANIZED NIPPLE     | 1125                        | BLK             |

Continued next page

## RIGID CONDUIT NIPPLES

### RIGID CONDUIT NIPPLES • TYPE - RIGID STEEL AND ALUMINUM



**STANDARD NPT TAPERED PIPE THREADS  
AS PER ANSI/ASME B1.20.1 SPECIFICATION.**

Material - Rigid Steel Conduit - (UL6)  
Aluminum Conduit - (UL6A)

**Applicable Specification:**  
Underwriters Laboratories - UL 6 for Rigid  
UL 6A for Aluminum

| Pipe Size (in.) | Pipe O.D. (in.) | Length Close (in.) | Pipe Nipple Lengths |   |       |   |       |   |       |   |       |   |   |   |   |    |    |    |
|-----------------|-----------------|--------------------|---------------------|---|-------|---|-------|---|-------|---|-------|---|---|---|---|----|----|----|
|                 |                 |                    | 1 1/2               | 2 | 2 1/2 | 3 | 3 1/2 | 4 | 4 1/2 | 5 | 5 1/2 | 6 | 7 | 8 | 9 | 10 | 11 | 12 |
| 1/2             | 0.84            | 1 1/8              | 1 1/2               | 2 | 2 1/2 | 3 | 3 1/2 | 4 | 4 1/2 | 5 | 5 1/2 | 6 | 7 | 8 | 9 | 10 | 11 | 12 |
| 3/4             | 1.05            | 1 3/8              | 1 1/2               | 2 | 2 1/2 | 3 | 3 1/2 | 4 | 4 1/2 | 5 | 5 1/2 | 6 | 7 | 8 | 9 | 10 | 11 | 12 |
| 1               | 1.315           | 1 1/2              |                     | 2 | 2 1/2 | 3 | 3 1/2 | 4 | 4 1/2 | 5 | 5 1/2 | 6 | 7 | 8 | 9 | 10 | 11 | 12 |
| 1 1/4           | 1.66            | 1 5/8              |                     | 2 | 2 1/2 | 3 | 3 1/2 | 4 | 4 1/2 | 5 | 5 1/2 | 6 | 7 | 8 | 9 | 10 | 11 | 12 |
| 1 1/2           | 1.9             | 1 3/4              |                     | 2 | 2 1/2 | 3 | 3 1/2 | 4 | 4 1/2 | 5 | 5 1/2 | 6 | 7 | 8 | 9 | 10 | 11 | 12 |
| 2               | 2.375           | 2                  |                     |   | 2 1/2 | 3 | 3 1/2 | 4 | 4 1/2 | 5 | 5 1/2 | 6 | 7 | 8 | 9 | 10 | 11 | 12 |
| 2 1/2           | 2.875           | 2 1/2              |                     |   |       | 3 | 3 1/2 | 4 | 4 1/2 | 5 | 5 1/2 | 6 | 7 | 8 | 9 | 10 | 11 | 12 |
| 3               | 3.5             | 2 5/8              |                     |   |       | 3 | 3 1/2 | 4 | 4 1/2 | 5 | 5 1/2 | 6 | 7 | 8 | 9 | 10 | 11 | 12 |
| 3 1/2           | 4               | 2 3/4              |                     |   |       |   |       | 4 | 4 1/2 | 5 | 5 1/2 | 6 | 7 | 8 | 9 | 10 | 11 | 12 |
| 4               | 4.5             | 2 7/8              |                     |   |       |   |       | 4 | 4 1/2 | 5 | 5 1/2 | 6 | 7 | 8 | 9 | 10 | 11 | 12 |
| 5               | 5.563           | 3                  |                     |   |       |   |       |   | 4 1/2 | 5 | 5 1/2 | 6 | 7 | 8 | 9 | 10 | 11 | 12 |
| 6               | 6.625           | 3 1/8              |                     |   |       |   |       |   | 4 1/2 | 5 | 5 1/2 | 6 | 7 | 8 | 9 | 10 | 11 | 12 |



**GALVANIZED CONDUIT NIPPLES**

**GALVANIZED CONDUIT NIPPLES**

| CATALOG NUMBER | DESCRIPTION               | WEIGHT PER 100 PIECES (lbs) | STANDARD CARTON |
|----------------|---------------------------|-----------------------------|-----------------|
| GALNIP1/2X4    | 1/2X4 GALVANIZED NIPPLE   | 26                          | 25              |
| GALNIP3/4X4    | 3/4X4 GALVANIZED NIPPLE   | 34                          | 25              |
| GALNIP1X4      | 1X4 GALVANIZED NIPPLE     | 49                          | 25              |
| GALNIP1-1/4X4  | 1 1/4X4 GALVANIZED NIPPLE | 66                          | 25              |
| GALNIP1-1/2X4  | 1 1/2X4 GALVANIZED NIPPLE | 80                          | 25              |
| GALNIP2X4      | 2X4 GALVANIZED NIPPLE     | 103                         | 25              |
| GALNIP2-1/2X4  | 2 1/2X4 GALVANIZED NIPPLE | 150                         | 10              |
| GALNIP3X4      | 3X4 GALVANIZED NIPPLE     | 200                         | 10              |
| GALNIP3-1/2X4  | 3 1/2X4 GALVANIZED NIPPLE | 240                         | 5               |
| GALNIP4X4      | 4X4 GALVANIZED NIPPLE     | 285                         | 6               |
| GALNIP1/2X5    | 1/2X5 GALVANIZED NIPPLE   | 33                          | 25              |
| GALNIP3/4X5    | 3/4X5 GALVANIZED NIPPLE   | 43                          | 25              |
| GALNIP1X5      | 1X5 GALVANIZED NIPPLE     | 64                          | 25              |
| GALNIP1-1/4X5  | 1 1/4X5 GALVANIZED NIPPLE | 84                          | 25              |
| GALNIP1-1/2X5  | 1 1/2X5 GALVANIZED NIPPLE | 103                         | 25              |
| GALNIP2X5      | 2X5 GALVANIZED NIPPLE     | 132                         | 25              |
| GALNIP2-1/2X5  | 2 1/2X5 GALVANIZED NIPPLE | 197                         | 10              |
| GALNIP3X5      | 3X5 GALVANIZED NIPPLE     | 260                         | 10              |
| GALNIP3-1/2X5  | 3 1/2X5 GALVANIZED NIPPLE | 320                         | 5               |
| GALNIP4X5      | 4X5 GALVANIZED NIPPLE     | 380                         | 6               |
| GALNIP5X5      | 5X5 GALVANIZED NIPPLE     | 480                         | BLK             |
| GALNIP6X5      | 6X5 GALVANIZED NIPPLE     | 660                         | BLK             |
| GALNIP1/2X6    | 1/2X6 GALVANIZED NIPPLE   | 40                          | 25              |
| GALNIP3/4X6    | 3/4X6 GALVANIZED NIPPLE   | 52                          | 25              |
| GALNIP1X6      | 1X6 GALVANIZED NIPPLE     | 78                          | 25              |
| GALNIP1-1/4X6  | 1 1/4X6 GALVANIZED NIPPLE | 100                         | 25              |
| GALNIP1-1/2X6  | 1 1/2X6 GALVANIZED NIPPLE | 122                         | 25              |
| GALNIP2X6      | 2X6 GALVANIZED NIPPLE     | 160                         | 25              |
| GALNIP2-1/2X6  | 2 1/2X6 GALVANIZED NIPPLE | 240                         | 10              |
| GALNIP3X6      | 3X6 GALVANIZED NIPPLE     | 300                         | 10              |
| GALNIP3-1/2X6  | 3 1/2X6 GALVANIZED NIPPLE | 373                         | 5               |
| GALNIP4X6      | 4X6 GALVANIZED NIPPLE     | 440                         | 5               |
| GALNIP5X6      | 5X6 GALVANIZED NIPPLE     | 600                         | BLK             |
| GALNIP6X6      | 6X6 GALVANIZED NIPPLE     | 820                         | BLK             |
| GALNIP1/2X8    | 1/2X8 GALVANIZED NIPPLE   | 54                          | 25              |
| GALNIP3/4X8    | 3/4X8 GALVANIZED NIPPLE   | 73                          | 25              |
| GALNIP1X8      | 1X8 GALVANIZED NIPPLE     | 109                         | 25              |
| GALNIP1-1/4X8  | 1 1/4X8 GALVANIZED NIPPLE | 136                         | 10              |
| GALNIP1-1/2X8  | 1 1/2X8 GALVANIZED NIPPLE | 170                         | 10              |
| GALNIP2X8      | 2X8 GALVANIZED NIPPLE     | 220                         | 10              |
| GALNIP2-1/2X8  | 2 1/2X8 GALVANIZED NIPPLE | 329                         | 5               |
| GALNIP3X8      | 3X8 GALVANIZED NIPPLE     | 411                         | 5               |
| GALNIP3-1/2X8  | 3 1/2X8 GALVANIZED NIPPLE | 510                         | 5               |
| GALNIP4X8      | 4X8 GALVANIZED NIPPLE     | 600                         | 3               |
| GALNIP5X8      | 5X8 GALVANIZED NIPPLE     | 825                         | BLK             |
| GALNIP6X8      | 6X8 GALVANIZED NIPPLE     | 1125                        | BLK             |

Continued next page

## RIGID CONDUIT NIPPLES

### RIGID CONDUIT NIPPLES • TYPE - RIGID STEEL AND ALUMINUM



Material - Rigid Steel Conduit - (UL6)  
 Aluminum Conduit - (UL6A)

**Applicable Specification:**  
 Underwriters Laboratories - UL 6 for Rigid  
 UL 6A for Aluminum

| Pipe Size (in.) | Pipe O.D. (in.) | Length Close (in.) | Pipe Nipple Lengths |   |       |   |       |   |       |   |       |   |   |   |   |    |    |    |
|-----------------|-----------------|--------------------|---------------------|---|-------|---|-------|---|-------|---|-------|---|---|---|---|----|----|----|
|                 |                 |                    | 1 1/2               | 2 | 2 1/2 | 3 | 3 1/2 | 4 | 4 1/2 | 5 | 5 1/2 | 6 | 7 | 8 | 9 | 10 | 11 | 12 |
| 1/2             | 0.84            | 1 1/8              | 1 1/2               | 2 | 2 1/2 | 3 | 3 1/2 | 4 | 4 1/2 | 5 | 5 1/2 | 6 | 7 | 8 | 9 | 10 | 11 | 12 |
| 3/4             | 1.05            | 1 3/8              | 1 1/2               | 2 | 2 1/2 | 3 | 3 1/2 | 4 | 4 1/2 | 5 | 5 1/2 | 6 | 7 | 8 | 9 | 10 | 11 | 12 |
| 1               | 1.315           | 1 1/2              |                     | 2 | 2 1/2 | 3 | 3 1/2 | 4 | 4 1/2 | 5 | 5 1/2 | 6 | 7 | 8 | 9 | 10 | 11 | 12 |
| 1 1/4           | 1.66            | 1 5/8              |                     | 2 | 2 1/2 | 3 | 3 1/2 | 4 | 4 1/2 | 5 | 5 1/2 | 6 | 7 | 8 | 9 | 10 | 11 | 12 |
| 1 1/2           | 1.9             | 1 3/4              |                     | 2 | 2 1/2 | 3 | 3 1/2 | 4 | 4 1/2 | 5 | 5 1/2 | 6 | 7 | 8 | 9 | 10 | 11 | 12 |
| 2               | 2.375           | 2                  |                     |   | 2 1/2 | 3 | 3 1/2 | 4 | 4 1/2 | 5 | 5 1/2 | 6 | 7 | 8 | 9 | 10 | 11 | 12 |
| 2 1/2           | 2.875           | 2 1/2              |                     |   |       | 3 | 3 1/2 | 4 | 4 1/2 | 5 | 5 1/2 | 6 | 7 | 8 | 9 | 10 | 11 | 12 |
| 3               | 3.5             | 2 5/8              |                     |   |       | 3 | 3 1/2 | 4 | 4 1/2 | 5 | 5 1/2 | 6 | 7 | 8 | 9 | 10 | 11 | 12 |
| 3 1/2           | 4               | 2 3/4              |                     |   |       |   |       | 4 | 4 1/2 | 5 | 5 1/2 | 6 | 7 | 8 | 9 | 10 | 11 | 12 |
| 4               | 4.5             | 2 7/8              |                     |   |       |   |       | 4 | 4 1/2 | 5 | 5 1/2 | 6 | 7 | 8 | 9 | 10 | 11 | 12 |
| 5               | 5.563           | 3                  |                     |   |       |   |       |   | 4 1/2 | 5 | 5 1/2 | 6 | 7 | 8 | 9 | 10 | 11 | 12 |
| 6               | 6.625           | 3 1/8              |                     |   |       |   |       |   | 4 1/2 | 5 | 5 1/2 | 6 | 7 | 8 | 9 | 10 | 11 | 12 |