



GALVANIZED CONDUIT NIPPLES

UL Listed and Labeled

GALVANIZED CONDUIT NIPPLES

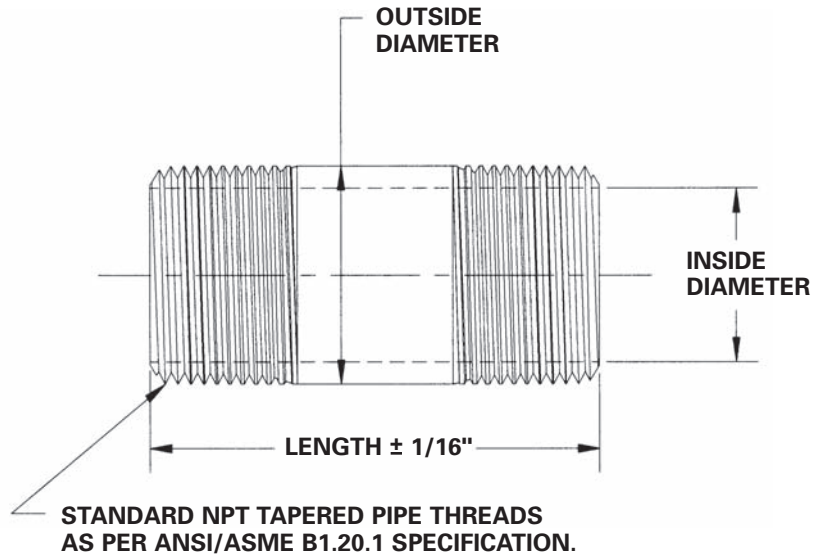
| CATALOG NUMBER | DESCRIPTION | WEIGHT PER 100 PIECES (lbs) | STANDARD CARTON |
|----------------|----------------------------|-----------------------------|-----------------|
| GALNIP1/2X10 | 1/2X10 GALVANIZED NIPPLE | 68 | 25 |
| GALNIP3/4X10 | 3/4X10 GALVANIZED NIPPLE | 89 | 25 |
| GALNIP1X10 | 1X10 GALVANIZED NIPPLE | 138 | 25 |
| GALNIP1-1/4X10 | 1 1/4X10 GALVANIZED NIPPLE | 176 | 10 |
| GALNIP1-1/2X10 | 1 1/2X10 GALVANIZED NIPPLE | 216 | 10 |
| GALNIP2X10 | 2X10 GALVANIZED NIPPLE | 285 | 10 |
| GALNIP2-1/2X10 | 2 1/2X10 GALVANIZED NIPPLE | 422 | 5 |
| GALNIP3X10 | 3X10 GALVANIZED NIPPLE | 528 | 5 |
| GALNIP3-1/2X10 | 3 1/2X10 GALVANIZED NIPPLE | 655 | 4 |
| GALNIP4X10 | 4X10 GALVANIZED NIPPLE | 775 | 4 |
| GALNIP5X10 | 5X10 GALVANIZED NIPPLE | 1055 | BLK |
| GALNIP6X10 | 6X10 GALVANIZED NIPPLE | 1440 | BLK |
| GALNIP1/2X12 | 1/2X12 GALVANIZED NIPPLE | 82 | 25 |
| GALNIP3/4X12 | 3/4X12 GALVANIZED NIPPLE | 109 | 25 |
| GALNIP1X12 | 1X12 GALVANIZED NIPPLE | 166 | 25 |
| GALNIP1-1/4X12 | 1 1/4X12 GALVANIZED NIPPLE | 216 | 10 |
| GALNIP1-1/2X12 | 1 1/2X12 GALVANIZED NIPPLE | 260 | 10 |
| GALNIP2X12 | 2X12 GALVANIZED NIPPLE | 335 | 10 |
| GALNIP2-1/2X12 | 2 1/2X12 GALVANIZED NIPPLE | 505 | 5 |
| GALNIP3X12 | 3X12 GALVANIZED NIPPLE | 630 | 5 |
| GALNIP3-1/2X12 | 3 1/2X12 GALVANIZED NIPPLE | 785 | 4 |
| GALNIP4X12 | 4X12 GALVANIZED NIPPLE | 925 | 4 |
| GALNIP5X12 | 5X12 GALVANIZED NIPPLE | 1260 | BLK |
| GALNIP6X12 | 6X12 GALVANIZED NIPPLE | 1720 | BLK |

APPROVED CONDUCTIVE THREAD COMPOUND

| CATALOG NUMBER | DESCRIPTION | APP WEIGHT (lbs) | STANDARD CARTON |
|-----------------|--|------------------|-----------------|
| THREAD-COMPOUND | APPROVED CONDUCTIVE COMPOUND-BRUSHTOP PINT | 1 | 1 |

RIGID CONDUIT NIPPLES

RIGID CONDUIT NIPPLES • TYPE - RIGID STEEL AND ALUMINUM



Material - Rigid Steel Conduit - (UL6)
 Aluminum Conduit - (UL6A)

Applicable Specification:
 Underwriters Laboratories - UL 6 for Rigid
 UL 6A for Aluminum

| Pipe Size (in.) | Pipe O.D. (in.) | Length Close (in.) | Pipe Nipple Lengths | | | | | | | | | | | | | | | |
|-----------------|-----------------|--------------------|---------------------|---|-------|---|-------|---|-------|---|-------|---|---|---|---|----|----|----|
| | | | 1 1/2 | 2 | 2 1/2 | 3 | 3 1/2 | 4 | 4 1/2 | 5 | 5 1/2 | 6 | 7 | 8 | 9 | 10 | 11 | 12 |
| 1/2 | 0.84 | 1 1/8 | 1 1/2 | 2 | 2 1/2 | 3 | 3 1/2 | 4 | 4 1/2 | 5 | 5 1/2 | 6 | 7 | 8 | 9 | 10 | 11 | 12 |
| 3/4 | 1.05 | 1 3/8 | 1 1/2 | 2 | 2 1/2 | 3 | 3 1/2 | 4 | 4 1/2 | 5 | 5 1/2 | 6 | 7 | 8 | 9 | 10 | 11 | 12 |
| 1 | 1.315 | 1 1/2 | | 2 | 2 1/2 | 3 | 3 1/2 | 4 | 4 1/2 | 5 | 5 1/2 | 6 | 7 | 8 | 9 | 10 | 11 | 12 |
| 1 1/4 | 1.66 | 1 5/8 | | 2 | 2 1/2 | 3 | 3 1/2 | 4 | 4 1/2 | 5 | 5 1/2 | 6 | 7 | 8 | 9 | 10 | 11 | 12 |
| 1 1/2 | 1.9 | 1 3/4 | | 2 | 2 1/2 | 3 | 3 1/2 | 4 | 4 1/2 | 5 | 5 1/2 | 6 | 7 | 8 | 9 | 10 | 11 | 12 |
| 2 | 2.375 | 2 | | | 2 1/2 | 3 | 3 1/2 | 4 | 4 1/2 | 5 | 5 1/2 | 6 | 7 | 8 | 9 | 10 | 11 | 12 |
| 2 1/2 | 2.875 | 2 1/2 | | | | 3 | 3 1/2 | 4 | 4 1/2 | 5 | 5 1/2 | 6 | 7 | 8 | 9 | 10 | 11 | 12 |
| 3 | 3.5 | 2 5/8 | | | | 3 | 3 1/2 | 4 | 4 1/2 | 5 | 5 1/2 | 6 | 7 | 8 | 9 | 10 | 11 | 12 |
| 3 1/2 | 4 | 2 3/4 | | | | | | 4 | 4 1/2 | 5 | 5 1/2 | 6 | 7 | 8 | 9 | 10 | 11 | 12 |
| 4 | 4.5 | 2 7/8 | | | | | | 4 | 4 1/2 | 5 | 5 1/2 | 6 | 7 | 8 | 9 | 10 | 11 | 12 |
| 5 | 5.563 | 3 | | | | | | | 4 1/2 | 5 | 5 1/2 | 6 | 7 | 8 | 9 | 10 | 11 | 12 |
| 6 | 6.625 | 3 1/8 | | | | | | | 4 1/2 | 5 | 5 1/2 | 6 | 7 | 8 | 9 | 10 | 11 | 12 |



GALVANIZED CONDUIT NIPPLES

UL Listed and Labeled

GALVANIZED CONDUIT NIPPLES

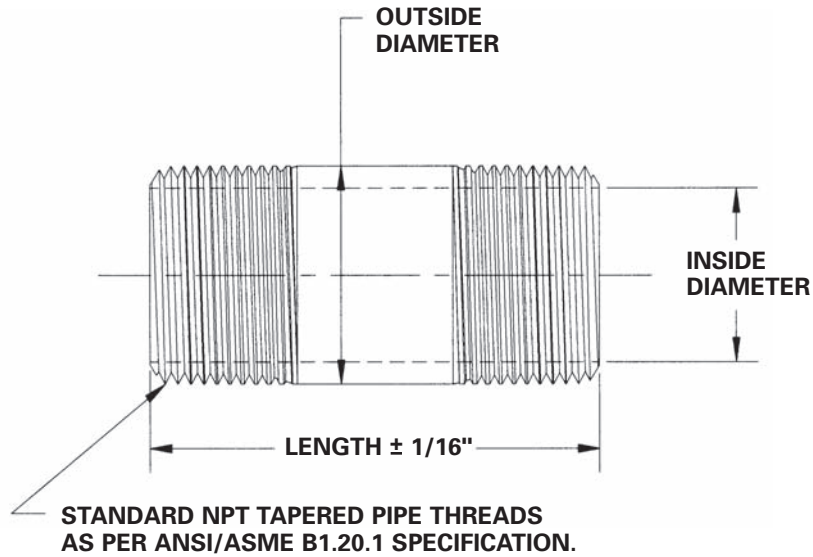
| CATALOG NUMBER | DESCRIPTION | WEIGHT PER 100 PIECES (lbs) | STANDARD CARTON |
|----------------|----------------------------|-----------------------------|-----------------|
| GALNIP1/2X10 | 1/2X10 GALVANIZED NIPPLE | 68 | 25 |
| GALNIP3/4X10 | 3/4X10 GALVANIZED NIPPLE | 89 | 25 |
| GALNIP1X10 | 1X10 GALVANIZED NIPPLE | 138 | 25 |
| GALNIP1-1/4X10 | 1 1/4X10 GALVANIZED NIPPLE | 176 | 10 |
| GALNIP1-1/2X10 | 1 1/2X10 GALVANIZED NIPPLE | 216 | 10 |
| GALNIP2X10 | 2X10 GALVANIZED NIPPLE | 285 | 10 |
| GALNIP2-1/2X10 | 2 1/2X10 GALVANIZED NIPPLE | 422 | 5 |
| GALNIP3X10 | 3X10 GALVANIZED NIPPLE | 528 | 5 |
| GALNIP3-1/2X10 | 3 1/2X10 GALVANIZED NIPPLE | 655 | 4 |
| GALNIP4X10 | 4X10 GALVANIZED NIPPLE | 775 | 4 |
| GALNIP5X10 | 5X10 GALVANIZED NIPPLE | 1055 | BLK |
| GALNIP6X10 | 6X10 GALVANIZED NIPPLE | 1440 | BLK |
| GALNIP1/2X12 | 1/2X12 GALVANIZED NIPPLE | 82 | 25 |
| GALNIP3/4X12 | 3/4X12 GALVANIZED NIPPLE | 109 | 25 |
| GALNIP1X12 | 1X12 GALVANIZED NIPPLE | 166 | 25 |
| GALNIP1-1/4X12 | 1 1/4X12 GALVANIZED NIPPLE | 216 | 10 |
| GALNIP1-1/2X12 | 1 1/2X12 GALVANIZED NIPPLE | 260 | 10 |
| GALNIP2X12 | 2X12 GALVANIZED NIPPLE | 335 | 10 |
| GALNIP2-1/2X12 | 2 1/2X12 GALVANIZED NIPPLE | 505 | 5 |
| GALNIP3X12 | 3X12 GALVANIZED NIPPLE | 630 | 5 |
| GALNIP3-1/2X12 | 3 1/2X12 GALVANIZED NIPPLE | 785 | 4 |
| GALNIP4X12 | 4X12 GALVANIZED NIPPLE | 925 | 4 |
| GALNIP5X12 | 5X12 GALVANIZED NIPPLE | 1260 | BLK |
| GALNIP6X12 | 6X12 GALVANIZED NIPPLE | 1720 | BLK |

APPROVED CONDUCTIVE THREAD COMPOUND

| CATALOG NUMBER | DESCRIPTION | APP WEIGHT (lbs) | STANDARD CARTON |
|-----------------|--|------------------|-----------------|
| THREAD-COMPOUND | APPROVED CONDUCTIVE COMPOUND-BRUSHTOP PINT | 1 | 1 |

RIGID CONDUIT NIPPLES

RIGID CONDUIT NIPPLES • TYPE - RIGID STEEL AND ALUMINUM



Material - Rigid Steel Conduit - (UL6)
 Aluminum Conduit - (UL6A)

Applicable Specification:
 Underwriters Laboratories - UL 6 for Rigid
 UL 6A for Aluminum

| Pipe Size (in.) | Pipe O.D. (in.) | Length Close (in.) | Pipe Nipple Lengths | | | | | | | | | | | | | | | |
|-----------------|-----------------|--------------------|---------------------|---|-------|---|-------|---|-------|---|-------|---|---|---|---|----|----|----|
| | | | 1 1/2 | 2 | 2 1/2 | 3 | 3 1/2 | 4 | 4 1/2 | 5 | 5 1/2 | 6 | 7 | 8 | 9 | 10 | 11 | 12 |
| 1/2 | 0.84 | 1 1/8 | 1 1/2 | 2 | 2 1/2 | 3 | 3 1/2 | 4 | 4 1/2 | 5 | 5 1/2 | 6 | 7 | 8 | 9 | 10 | 11 | 12 |
| 3/4 | 1.05 | 1 3/8 | 1 1/2 | 2 | 2 1/2 | 3 | 3 1/2 | 4 | 4 1/2 | 5 | 5 1/2 | 6 | 7 | 8 | 9 | 10 | 11 | 12 |
| 1 | 1.315 | 1 1/2 | | 2 | 2 1/2 | 3 | 3 1/2 | 4 | 4 1/2 | 5 | 5 1/2 | 6 | 7 | 8 | 9 | 10 | 11 | 12 |
| 1 1/4 | 1.66 | 1 5/8 | | 2 | 2 1/2 | 3 | 3 1/2 | 4 | 4 1/2 | 5 | 5 1/2 | 6 | 7 | 8 | 9 | 10 | 11 | 12 |
| 1 1/2 | 1.9 | 1 3/4 | | 2 | 2 1/2 | 3 | 3 1/2 | 4 | 4 1/2 | 5 | 5 1/2 | 6 | 7 | 8 | 9 | 10 | 11 | 12 |
| 2 | 2.375 | 2 | | | 2 1/2 | 3 | 3 1/2 | 4 | 4 1/2 | 5 | 5 1/2 | 6 | 7 | 8 | 9 | 10 | 11 | 12 |
| 2 1/2 | 2.875 | 2 1/2 | | | | 3 | 3 1/2 | 4 | 4 1/2 | 5 | 5 1/2 | 6 | 7 | 8 | 9 | 10 | 11 | 12 |
| 3 | 3.5 | 2 5/8 | | | | 3 | 3 1/2 | 4 | 4 1/2 | 5 | 5 1/2 | 6 | 7 | 8 | 9 | 10 | 11 | 12 |
| 3 1/2 | 4 | 2 3/4 | | | | | | 4 | 4 1/2 | 5 | 5 1/2 | 6 | 7 | 8 | 9 | 10 | 11 | 12 |
| 4 | 4.5 | 2 7/8 | | | | | | 4 | 4 1/2 | 5 | 5 1/2 | 6 | 7 | 8 | 9 | 10 | 11 | 12 |
| 5 | 5.563 | 3 | | | | | | | 4 1/2 | 5 | 5 1/2 | 6 | 7 | 8 | 9 | 10 | 11 | 12 |
| 6 | 6.625 | 3 1/8 | | | | | | | 4 1/2 | 5 | 5 1/2 | 6 | 7 | 8 | 9 | 10 | 11 | 12 |