



**GALVANIZED CONDUIT NIPPLES**

**GALVANIZED CONDUIT NIPPLES**

CATALOG NUMBER	DESCRIPTION	WEIGHT PER 100 PIECES (lbs)	STANDARD CARTON
GALNIP1/2X4	1/2X4 GALVANIZED NIPPLE	26	25
GALNIP3/4X4	3/4X4 GALVANIZED NIPPLE	34	25
GALNIP1X4	1X4 GALVANIZED NIPPLE	49	25
GALNIP1-1/4X4	1 1/4X4 GALVANIZED NIPPLE	66	25
GALNIP1-1/2X4	1 1/2X4 GALVANIZED NIPPLE	80	25
GALNIP2X4	2X4 GALVANIZED NIPPLE	103	25
GALNIP2-1/2X4	2 1/2X4 GALVANIZED NIPPLE	150	10
GALNIP3X4	3X4 GALVANIZED NIPPLE	200	10
GALNIP3-1/2X4	3 1/2X4 GALVANIZED NIPPLE	240	5
GALNIP4X4	4X4 GALVANIZED NIPPLE	285	6
GALNIP1/2X5	1/2X5 GALVANIZED NIPPLE	33	25
GALNIP3/4X5	3/4X5 GALVANIZED NIPPLE	43	25
GALNIP1X5	1X5 GALVANIZED NIPPLE	64	25
GALNIP1-1/4X5	1 1/4X5 GALVANIZED NIPPLE	84	25
GALNIP1-1/2X5	1 1/2X5 GALVANIZED NIPPLE	103	25
GALNIP2X5	2X5 GALVANIZED NIPPLE	132	25
GALNIP2-1/2X5	2 1/2X5 GALVANIZED NIPPLE	197	10
GALNIP3X5	3X5 GALVANIZED NIPPLE	260	10
GALNIP3-1/2X5	3 1/2X5 GALVANIZED NIPPLE	320	5
GALNIP4X5	4X5 GALVANIZED NIPPLE	380	6
GALNIP5X5	5X5 GALVANIZED NIPPLE	480	BLK
GALNIP6X5	6X5 GALVANIZED NIPPLE	660	BLK
GALNIP1/2X6	1/2X6 GALVANIZED NIPPLE	40	25
GALNIP3/4X6	3/4X6 GALVANIZED NIPPLE	52	25
GALNIP1X6	1X6 GALVANIZED NIPPLE	78	25
GALNIP1-1/4X6	1 1/4X6 GALVANIZED NIPPLE	100	25
GALNIP1-1/2X6	1 1/2X6 GALVANIZED NIPPLE	122	25
GALNIP2X6	2X6 GALVANIZED NIPPLE	160	25
GALNIP2-1/2X6	2 1/2X6 GALVANIZED NIPPLE	240	10
GALNIP3X6	3X6 GALVANIZED NIPPLE	300	10
GALNIP3-1/2X6	3 1/2X6 GALVANIZED NIPPLE	373	5
GALNIP4X6	4X6 GALVANIZED NIPPLE	440	5
GALNIP5X6	5X6 GALVANIZED NIPPLE	600	BLK
GALNIP6X6	6X6 GALVANIZED NIPPLE	820	BLK
GALNIP1/2X8	1/2X8 GALVANIZED NIPPLE	54	25
GALNIP3/4X8	3/4X8 GALVANIZED NIPPLE	73	25
GALNIP1X8	1X8 GALVANIZED NIPPLE	109	25
GALNIP1-1/4X8	1 1/4X8 GALVANIZED NIPPLE	136	10
GALNIP1-1/2X8	1 1/2X8 GALVANIZED NIPPLE	170	10
GALNIP2X8	2X8 GALVANIZED NIPPLE	220	10
GALNIP2-1/2X8	2 1/2X8 GALVANIZED NIPPLE	329	5
GALNIP3X8	3X8 GALVANIZED NIPPLE	411	5
GALNIP3-1/2X8	3 1/2X8 GALVANIZED NIPPLE	510	5
GALNIP4X8	4X8 GALVANIZED NIPPLE	600	3
GALNIP5X8	5X8 GALVANIZED NIPPLE	825	BLK
GALNIP6X8	6X8 GALVANIZED NIPPLE	1125	BLK

Continued next page

## RIGID CONDUIT NIPPLES

### RIGID CONDUIT NIPPLES • TYPE - RIGID STEEL AND ALUMINUM



Material - Rigid Steel Conduit - (UL6)  
 Aluminum Conduit - (UL6A)

**Applicable Specification:**  
 Underwriters Laboratories - UL 6 for Rigid  
 UL 6A for Aluminum

Pipe Size (in.)	Pipe O.D. (in.)	Length Close (in.)	Pipe Nipple Lengths															
			1 1/2	2	2 1/2	3	3 1/2	4	4 1/2	5	5 1/2	6	7	8	9	10	11	12
1/2	0.84	1 1/8	1 1/2	2	2 1/2	3	3 1/2	4	4 1/2	5	5 1/2	6	7	8	9	10	11	12
3/4	1.05	1 3/8	1 1/2	2	2 1/2	3	3 1/2	4	4 1/2	5	5 1/2	6	7	8	9	10	11	12
1	1.315	1 1/2		2	2 1/2	3	3 1/2	4	4 1/2	5	5 1/2	6	7	8	9	10	11	12
1 1/4	1.66	1 5/8		2	2 1/2	3	3 1/2	4	4 1/2	5	5 1/2	6	7	8	9	10	11	12
1 1/2	1.9	1 3/4		2	2 1/2	3	3 1/2	4	4 1/2	5	5 1/2	6	7	8	9	10	11	12
2	2.375	2			2 1/2	3	3 1/2	4	4 1/2	5	5 1/2	6	7	8	9	10	11	12
2 1/2	2.875	2 1/2				3	3 1/2	4	4 1/2	5	5 1/2	6	7	8	9	10	11	12
3	3.5	2 5/8				3	3 1/2	4	4 1/2	5	5 1/2	6	7	8	9	10	11	12
3 1/2	4	2 3/4						4	4 1/2	5	5 1/2	6	7	8	9	10	11	12
4	4.5	2 7/8						4	4 1/2	5	5 1/2	6	7	8	9	10	11	12
5	5.563	3							4 1/2	5	5 1/2	6	7	8	9	10	11	12
6	6.625	3 1/8							4 1/2	5	5 1/2	6	7	8	9	10	11	12



**GALVANIZED CONDUIT NIPPLES**

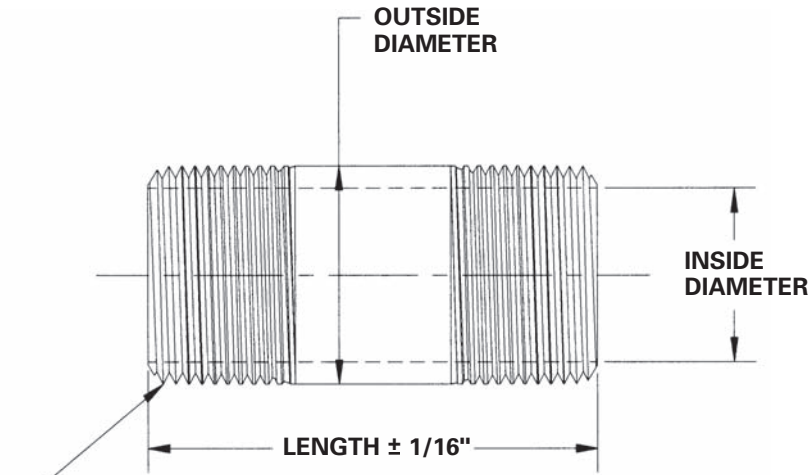
**GALVANIZED CONDUIT NIPPLES**

CATALOG NUMBER	DESCRIPTION	WEIGHT PER 100 PIECES (lbs)	STANDARD CARTON
GALNIP1/2X4	1/2X4 GALVANIZED NIPPLE	26	25
GALNIP3/4X4	3/4X4 GALVANIZED NIPPLE	34	25
GALNIP1X4	1X4 GALVANIZED NIPPLE	49	25
GALNIP1-1/4X4	1 1/4X4 GALVANIZED NIPPLE	66	25
GALNIP1-1/2X4	1 1/2X4 GALVANIZED NIPPLE	80	25
GALNIP2X4	2X4 GALVANIZED NIPPLE	103	25
GALNIP2-1/2X4	2 1/2X4 GALVANIZED NIPPLE	150	10
GALNIP3X4	3X4 GALVANIZED NIPPLE	200	10
GALNIP3-1/2X4	3 1/2X4 GALVANIZED NIPPLE	240	5
GALNIP4X4	4X4 GALVANIZED NIPPLE	285	6
GALNIP1/2X5	1/2X5 GALVANIZED NIPPLE	33	25
GALNIP3/4X5	3/4X5 GALVANIZED NIPPLE	43	25
GALNIP1X5	1X5 GALVANIZED NIPPLE	64	25
GALNIP1-1/4X5	1 1/4X5 GALVANIZED NIPPLE	84	25
GALNIP1-1/2X5	1 1/2X5 GALVANIZED NIPPLE	103	25
GALNIP2X5	2X5 GALVANIZED NIPPLE	132	25
GALNIP2-1/2X5	2 1/2X5 GALVANIZED NIPPLE	197	10
GALNIP3X5	3X5 GALVANIZED NIPPLE	260	10
GALNIP3-1/2X5	3 1/2X5 GALVANIZED NIPPLE	320	5
GALNIP4X5	4X5 GALVANIZED NIPPLE	380	6
GALNIP5X5	5X5 GALVANIZED NIPPLE	480	BLK
GALNIP6X5	6X5 GALVANIZED NIPPLE	660	BLK
GALNIP1/2X6	1/2X6 GALVANIZED NIPPLE	40	25
GALNIP3/4X6	3/4X6 GALVANIZED NIPPLE	52	25
GALNIP1X6	1X6 GALVANIZED NIPPLE	78	25
GALNIP1-1/4X6	1 1/4X6 GALVANIZED NIPPLE	100	25
GALNIP1-1/2X6	1 1/2X6 GALVANIZED NIPPLE	122	25
GALNIP2X6	2X6 GALVANIZED NIPPLE	160	25
GALNIP2-1/2X6	2 1/2X6 GALVANIZED NIPPLE	240	10
GALNIP3X6	3X6 GALVANIZED NIPPLE	300	10
GALNIP3-1/2X6	3 1/2X6 GALVANIZED NIPPLE	373	5
GALNIP4X6	4X6 GALVANIZED NIPPLE	440	5
GALNIP5X6	5X6 GALVANIZED NIPPLE	600	BLK
GALNIP6X6	6X6 GALVANIZED NIPPLE	820	BLK
GALNIP1/2X8	1/2X8 GALVANIZED NIPPLE	54	25
GALNIP3/4X8	3/4X8 GALVANIZED NIPPLE	73	25
GALNIP1X8	1X8 GALVANIZED NIPPLE	109	25
GALNIP1-1/4X8	1 1/4X8 GALVANIZED NIPPLE	136	10
GALNIP1-1/2X8	1 1/2X8 GALVANIZED NIPPLE	170	10
GALNIP2X8	2X8 GALVANIZED NIPPLE	220	10
GALNIP2-1/2X8	2 1/2X8 GALVANIZED NIPPLE	329	5
GALNIP3X8	3X8 GALVANIZED NIPPLE	411	5
GALNIP3-1/2X8	3 1/2X8 GALVANIZED NIPPLE	510	5
GALNIP4X8	4X8 GALVANIZED NIPPLE	600	3
GALNIP5X8	5X8 GALVANIZED NIPPLE	825	BLK
GALNIP6X8	6X8 GALVANIZED NIPPLE	1125	BLK

Continued next page

## RIGID CONDUIT NIPPLES

### RIGID CONDUIT NIPPLES • TYPE - RIGID STEEL AND ALUMINUM



**STANDARD NPT TAPERED PIPE THREADS  
AS PER ANSI/ASME B1.20.1 SPECIFICATION.**

Material - Rigid Steel Conduit - (UL6)  
Aluminum Conduit - (UL6A)

**Applicable Specification:**  
Underwriters Laboratories - UL 6 for Rigid  
UL 6A for Aluminum

Pipe Size (in.)	Pipe O.D. (in.)	Length Close (in.)	Pipe Nipple Lengths															
			1 1/2	2	2 1/2	3	3 1/2	4	4 1/2	5	5 1/2	6	7	8	9	10	11	12
1/2	0.84	1 1/8	1 1/2	2	2 1/2	3	3 1/2	4	4 1/2	5	5 1/2	6	7	8	9	10	11	12
3/4	1.05	1 3/8	1 1/2	2	2 1/2	3	3 1/2	4	4 1/2	5	5 1/2	6	7	8	9	10	11	12
1	1.315	1 1/2		2	2 1/2	3	3 1/2	4	4 1/2	5	5 1/2	6	7	8	9	10	11	12
1 1/4	1.66	1 5/8		2	2 1/2	3	3 1/2	4	4 1/2	5	5 1/2	6	7	8	9	10	11	12
1 1/2	1.9	1 3/4		2	2 1/2	3	3 1/2	4	4 1/2	5	5 1/2	6	7	8	9	10	11	12
2	2.375	2			2 1/2	3	3 1/2	4	4 1/2	5	5 1/2	6	7	8	9	10	11	12
2 1/2	2.875	2 1/2				3	3 1/2	4	4 1/2	5	5 1/2	6	7	8	9	10	11	12
3	3.5	2 5/8				3	3 1/2	4	4 1/2	5	5 1/2	6	7	8	9	10	11	12
3 1/2	4	2 3/4						4	4 1/2	5	5 1/2	6	7	8	9	10	11	12
4	4.5	2 7/8						4	4 1/2	5	5 1/2	6	7	8	9	10	11	12
5	5.563	3							4 1/2	5	5 1/2	6	7	8	9	10	11	12
6	6.625	3 1/8							4 1/2	5	5 1/2	6	7	8	9	10	11	12