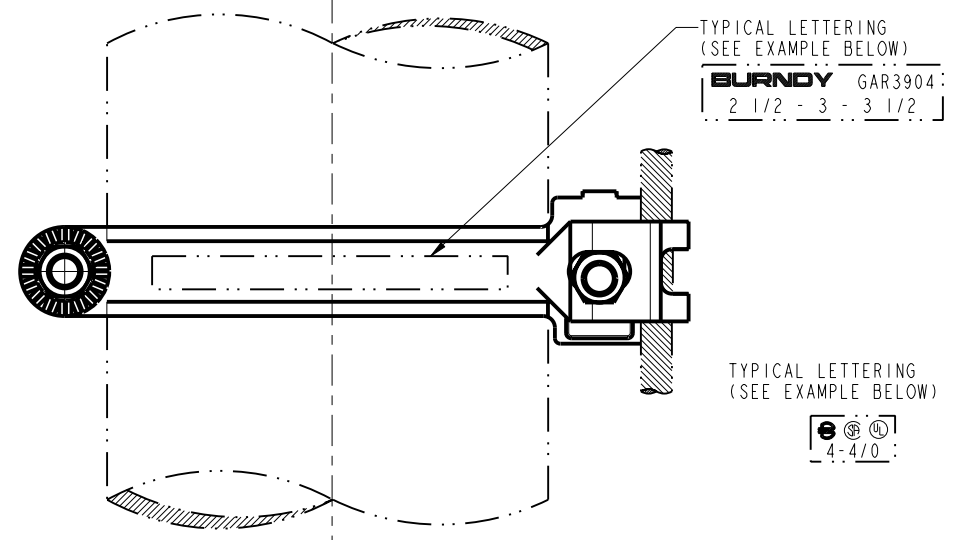
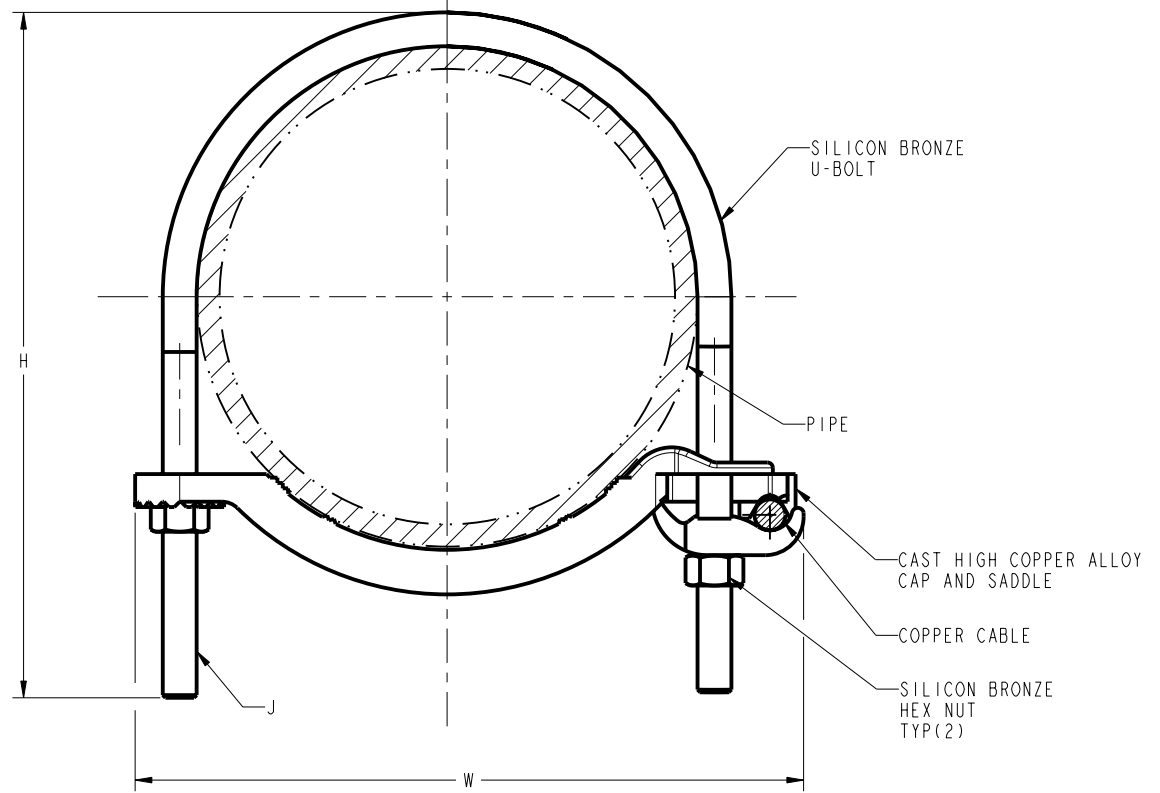


DRAWING NO.  
SD206396

CATALOG NUMBER	I.P.S. PIPE ACCOMMODATED		COPPER CABLE ACCOMMODATED		H	J	W	RECOMMENDED TIGHTENING TORQUE	
	NOMINAL O.D.	ACTUAL O.D.		AWG					METRIC WIRE SIZE
		(in)	[mm]						
GAR3902BU	1/2"-1"	.840-1.32	[22-33]	4 STR(.232)- 4/0 STR(.528)	3.50 [89]	3/8"-16"	3.25 [83]	200 Lb*in [22.5 N*m]	
GAR3903BU	1-1/4"-2"	1.66-2.38	[43-60]		4.00 [102]		4.25 [108]		
GAR3904BU	2-1/2"-3-1/2"	2.88-4.00	[74-101]		6.50 [165]		6.00 [152]		
GAR3905BU	4"-5"	4.50-5.56	[115-141]		7.50 [191]		7.50 [191]		
GAR3906BU	6"	6.62	[168]		8.50 [216]		8.62 [219]		
GAR3907BU	8"	8.62	[218]		10.00 [254]		10.62 [270]		
GAR3908BU	10"	10.75	[273]		12.00 [305]		12.75 [324]		
GAR3909BU	12"	12.75	[323]		14.00 [356]		14.75 [375]		
GAR3905BUW	4"-5"	4.50-5.56	[115-141]		7.50 [191]		7.50 [191]		

REV	DATE	DESCRIPTION	ECO	BY	C'H'K.
E	09/11/2013 22:00:00 PM	*TN* ITEMS ARE INCLUDED ON DWG	32801	BT	BSB



- NOTES:
1. MATERIAL: AS NOTED.
  2. UL 467 LISTED, FILE NO. E9999. ACCEPTABLE FOR DIRECT BURIAL.
  3. CSA C22.2 NO. 65 LISTED, FILE NO. 42862.
  4. DIMENSIONS IN BRACKETS [ ] ARE IN MILLIMETERS ROUNDED OFF TO THE NEAREST MILLIMETER, UNLESS OTHERWISE NOTED AND ARE FOR REFERENCE ONLY.
  5. APPLY EVEN COAT OF BURNDY PENETROX™, OXIDE INHIBITING COMPOUND TO PIPE.
  6. ADD SUFFIX "W" OR "TN" TO CATALOG NUMBER FOR TIN PLATING. PLATING WILL BE APPLIED TO ALL PIECES OF HARDWARE.

TO ORDER BURNDY® PRODUCTS CALL		GAR-BU ASSEMBLY	
UNITED STATES 1-800-346-4175 (LONDONDERRY, NH)		ITEM NO: --	SCALE: 1:1
CANADA: 1-800-361-6975 (QUEBEC) 1-800-387-6487 (ALL OTHER PROVINCES)		CAT. NO: GARBU (TABLE)	REV
FOR PRODUCT INFO: <a href="http://www.burndy.com">http://www.burndy.com</a>		DRAWN BY: MP 10/03/90	SD206396
		CHECKER: KH 11/21/90	E
		DSN APPVL: KW 12/04/90	
		MFG APPVL: --	
		QA APPVL: AL 11/16/90	
		MKT APPVL: --	
		PROJ #: --	
		DOCUMENT TYPE: Sales	
		REL LEVEL: Released	

REV: PE0200