

**BURNDY Catalog Number**  
**UPC Number**  
**Description**  
**Status**

GP6429  
 7818102605555  
 2/0SOL-250, 3/8 IPS 2 CO  
 Active

**Web Use**  
 BURNDY Product Line

**Dimensional**

Width (in) 2.12  
 Height (in) 2.88  
 Size (Hex) or Size (Bolt) 3/8  
 Size (Hex) or Size (Bolt) - in 0.38  
 Width (Fraction) 2-1/8  
 Height (Fraction) (in) 2-7/8

**General**

**Product Description** Mechanical Grounding Connector,  
 2 Cables to Rod or Pipe, 2/0 AWG  
 (Sol) -250 kcmil, 3/8" Pipe,  
 5/8" -3/4" Rod, 3/8" Stud

**Conductor(s)**

Copper Tube Size (SCH40) - Range 5/8-3/4  
 Rod Size (Range) 5/8 in-3/4 in  
 Copper Solid Size (Range) 2/0-4/0  
 Copper Stranded (Range) 1/0-250

**Physical**

Installation Torque 240  
 Type of Plating Unplated  
 Plated (Yes or No) N  
 Product Material Copper Alloy

**Approvals / Certifications**

UL Listed Y  
 CSA Certified N  
 ROHS Compatible Exempt  
 UL Recognized N  
 CULUS N  
 Industry Standards UL467  
 Rated for Direct Burial Y

**Documentation**

For further technical assistance, please contact us

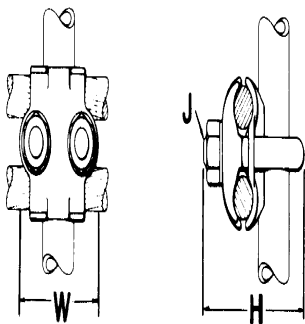
**BURNDY LLC - USA**

47 East Industrial Park Drive  
 Manchester NH 03109

**BURNDY Technical Services**

47 East Industrial Park Drive  
 Manchester NH 03109

Hours: 8:00 AM - 5:00 PM  
 Monday - Friday  
 Phone: 800-346-4175



**BURNDY Catalog Number**  
**UPC Number**  
**Description**  
**Status**

GP6429  
 7818102605555  
 2/0SOL-250, 3/8 IPS 2 CO  
 Active

**Web Use**  
 BURNDY Product Line

**Dimensional**

Width (in) 2.12  
 Height (in) 2.88  
 Size (Hex) or Size (Bolt) 3/8  
 Size (Hex) or Size (Bolt) - in 0.38  
 Width (Fraction) 2-1/8  
 Height (Fraction) (in) 2-7/8

**General**

**Product Description** Mechanical Grounding Connector,  
 2 Cables to Rod or Pipe, 2/0 AWG  
 (Sol) -250 kcmil, 3/8" Pipe,  
 5/8" -3/4" Rod, 3/8" Stud

**Conductor(s)**

Copper Tube Size (SCH40) - Range 5/8-3/4  
 Rod Size (Range) 5/8 in-3/4 in  
 Copper Solid Size (Range) 2/0-4/0  
 Copper Stranded (Range) 1/0-250

**Physical**

Installation Torque 240  
 Type of Plating Unplated  
 Plated (Yes or No) N  
 Product Material Copper Alloy

**Approvals / Certifications**

UL Listed Y  
 CSA Certified N  
 ROHS Compatible Exempt  
 UL Recognized N  
 CULUS N  
 Industry Standards UL467  
 Rated for Direct Burial Y

**Documentation**

For further technical assistance, please contact us

**BURNDY LLC - USA**

47 East Industrial Park Drive  
 Manchester NH 03109

**BURNDY Technical Services**

47 East Industrial Park Drive  
 Manchester NH 03109

Hours: 8:00 AM - 5:00 PM  
 Monday - Friday  
 Phone: 800-346-4175