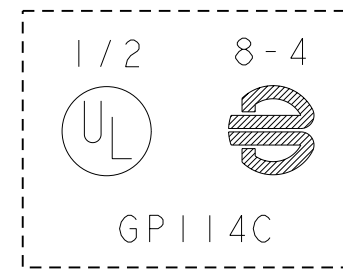
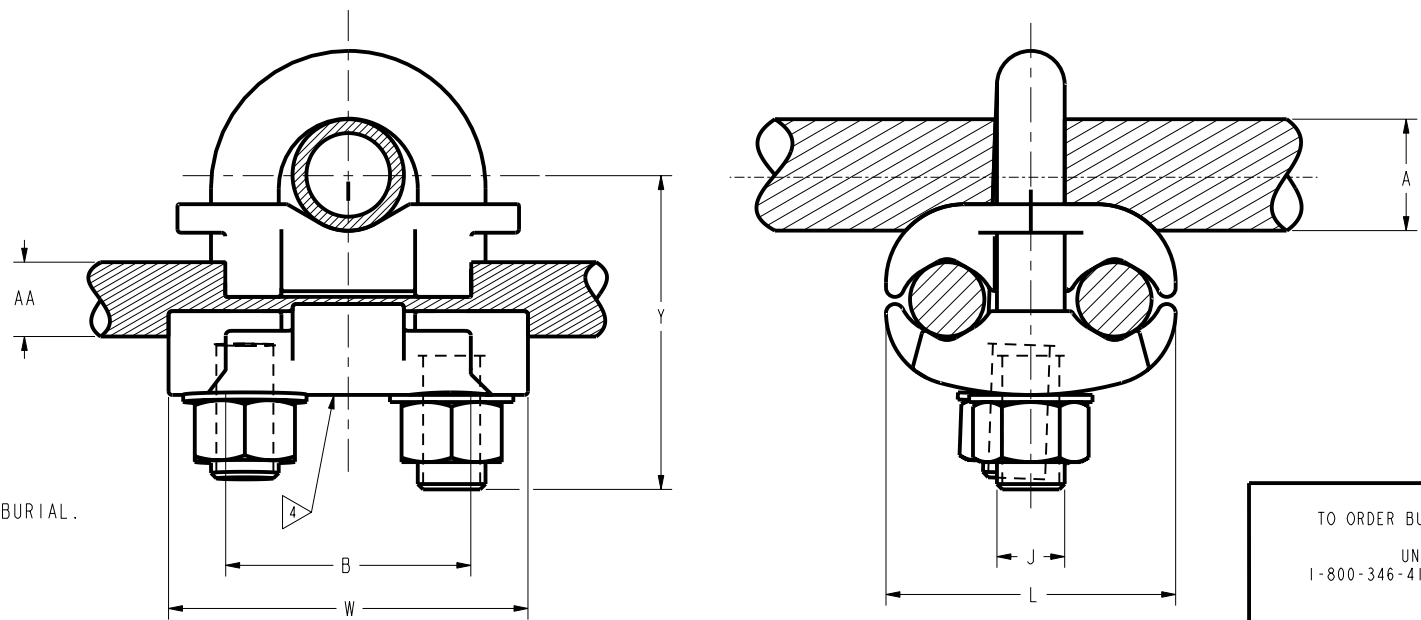


REV	DATE	DESCRIPTION	ECO	BY	C'H'K.
C	6/16/2009 12:00:00 AM	CAT. # UPDATE ADDED TO THE TABLE	18224	RG	JG

CATALOG NO	A						AA								B		Y		J		L		W		"U" BOLT	TORQUE	
	ROD SIZES ACCOMMODATED			PIPE SIZES ACCOMMODATED			COPPER CONDUCTOR ACCOMMODATED								(in)	[mm]	(in)	[mm]	(in)	[mm]	(in)	[mm]	(in)	[mm]		Lb*in	N*m
	NOMINAL DIAMETER (in)	ACTUAL DIAMETER		NOMINAL DIAMETER (in)	ACTUAL DIAMETER		AWG				METRIC WIRE SIZE																
		(in)	(mm)		(in)	(mm)	MIN	MAX	MIN	MAX	MIN	MAX	MIN	MAX													
						SIZE	DIA	SIZE	DIA	SIZE	DIA	SIZE	DIA														
GP114C	1/2	0.500	[13]	1/4	0.540	[14]	8 SOL	0.129	4 STR	0.232	10mm ² SOL	[3.6]	16mm ² STR	[5.1]	1.50	[38]	1.88	[48]	3/8	[10]	1.31	[33]	1.88	[48]	271	240	27.0
GP1126	1/2	0.500	[13]	1/4	0.540	[14]	4 SOL	0.204	2/0 STR	0.416	25mm ² STR	[6.5]	50mm ² STR	[9.3]	1.50	[38]	1.88	[48]	3/8	[10]	1.69	[43]	1.88	[48]	271	240	27.0
GP1129	1/2	0.500	[13]	1/4	0.540	[14]	2/0 SOL	0.365	250 KCMIL	0.575	70mm ² STR	[10.9]	120mm ² STR	[14.4]	1.75	[44]	1.88	[48]	3/8	[10]	1.94	[49]	1.88	[48]	271	240	27.0
GP644C	5/8 - 3/4	0.625 - 0.750	[16 - 19]	3/8	0.675	[17]	8 SOL	0.129	4 STR	0.232	10mm ² SOL	[3.6]	16mm ² STR	[5.1]	1.50	[38]	2.06	[52]	3/8	[10]	1.31	[33]	2.12	[54]	187	240	27.0
GP6426	5/8 - 3/4	0.625 - 0.750	[16 - 19]	3/8	0.675	[17]	4 SOL	0.204	2/0 STR	0.416	25mm ² STR	[6.5]	50mm ² STR	[9.3]	1.50	[38]	2.06	[52]	3/8	[10]	1.69	[43]	2.12	[54]	187	240	27.0
GP6429	5/8 - 3/4	0.625 - 0.750	[16 - 19]	3/8	0.675	[17]	2/0 SOL	0.365	250 KCMIL	0.575	70mm ² STR	[10.9]	120mm ² STR	[14.4]	1.75	[44]	2.06	[52]	3/8	[10]	2.06	[52]	2.12	[54]	242	240	27.0
GP6434	5/8 - 3/4	0.625 - 0.750	[16 - 19]	3/8	0.675	[17]	300 KCMIL	0.63	500 KCMIL	0.814	185mm ² STR	[17.8]	240mm ² STR	[20.3]	2.00	[51]	2.56	[65]	1/2	[13]	2.56	[65]	2.56	[65]	254	480	54.1
GP6439	5/8 - 3/4	0.625 - 0.750	[16 - 19]	3/8	0.675	[17]	550 KCMIL	0.855	750 KCMIL	0.998	300mm ² STR	[22.6]	400mm ² STR	[26.1]	2.00	[51]	2.56	[65]	1/2	[13]	2.94	[75]	2.56	[65]	254	480	54.1
GP144C	1	1.000	[25]	1/2 - 3/4	0.84 - 1.050	[21 - 27]	8 SOL	0.129	4 STR	0.232	10mm ² SOL	[3.6]	16mm ² STR	[5.1]	1.50	[38]	1.81	[46]	3/8	[10]	1.94	[49]	2.38	[60]	222	240	27.0
GP1426	1	1.000	[25]	1/2 - 3/4	0.84 - 1.050	[21 - 27]	4 SOL	0.204	2/0 STR	0.416	25mm ² STR	[6.5]	50mm ² STR	[9.3]	1.50	[38]	1.81	[46]	3/8	[10]	1.69	[43]	2.38	[60]	249	240	27.0
GP1429	1	1.000	[25]	1/2 - 3/4	0.84 - 1.050	[21 - 27]	2/0 SOL	0.365	250 KCMIL	0.575	70mm ² STR	[10.9]	120mm ² STR	[14.4]	1.75	[44]	2.13	[54]	3/8	[10]	1.94	[49]	2.38	[60]	249	240	27.0
GP1434	1	1.000	[25]	1/2 - 3/4	0.84 - 1.050	[21 - 27]	300 KCMIL	0.63	500 KCMIL	0.814	185mm ² STR	[17.8]	240mm ² STR	[20.3]	2.00	[51]	2.69	[68]	1/2	[13]	2.56	[65]	2.75	[70]	247	480	54.1
GP1439	1	1.000	[25]	1/2 - 3/4	0.84 - 1.050	[21 - 27]	550 KCMIL	0.855	750 KCMIL	0.998	300mm ² STR	[22.6]	400mm ² STR	[26.1]	2.12	[54]	2.69	[68]	1/2	[13]	2.94	[75]	2.75	[70]	247	480	54.1
GP1444	1	1.000	[25]	1/2 - 3/4	0.84 - 1.050	[21 - 27]	800 KCMIL	1.031	1000 KCMIL	1.152	400mm ² STR	[26.1]	500mm ² STR	[28.3]	2.25	[57]	3.44	[87]	1/2	[13]	3.31	[84]	2.75	[70]	-	480	54.1
GP154C	1 1/8 - 1 1/4	1.125 - 1.250	[29 - 32]	1	1.315	[33]	8 SOL	0.129	4 STR	0.232	10mm ² SOL	[3.6]	16mm ² STR	[5.1]	1.75	[44]	1.81	[46]	3/8	[10]	1.94	[49]	2.63	[67]	191	240	27.0
GP1526	1 1/8 - 1 1/4	1.125 - 1.250	[29 - 32]	1	1.315	[33]	4 SOL	0.204	2/0 STR	0.416	25mm ² STR	[6.5]	50mm ² STR	[9.3]	1.75	[44]	1.81	[46]	3/8	[10]	1.69	[43]	2.63	[67]	244	240	27.0
GP1529	1 1/8 - 1 1/4	1.125 - 1.250	[29 - 32]	1	1.315	[33]	2/0 SOL	0.365	250 KCMIL	0.575	70mm ² STR	[10.9]	120mm ² STR	[14.4]	1.75	[44]	2.31	[59]	3/8	[10]	1.94	[49]	2.63	[67]	244	240	27.0
GP1534	1 1/8 - 1 1/4	1.125 - 1.250	[29 - 32]	1	1.315	[33]	300 KCMIL	0.63	500 KCMIL	0.814	185mm ² STR	[17.8]	240mm ² STR	[20.3]	2.19	[56]	2.31	[59]	1/2	[13]	2.56	[65]	3	[76]	311	480	54.1
GP1539	1 1/8 - 1 1/4	1.125 - 1.250	[29 - 32]	1	1.315	[33]	550 KCMIL	0.855	750 KCMIL	0.998	300mm ² STR	[22.6]	400mm ² STR	[26.1]	2.19	[56]	2.31	[59]	1/2	[13]	2.94	[75]	3	[76]	311	480	54.1
GP1544	1 1/8 - 1 1/4	1.125 - 1.250	[29 - 32]	1	1.315	[33]	800 KCMIL	1.031	1000 KCMIL	1.152	400mm ² STR	[26.1]	500mm ² STR	[28.3]	2.25	[57]	2.31	[59]	1/2	[13]	3.31	[84]	3	[76]	311	480	54.1
GP164C	1 3/8 - 1 1/2	1.375 - 1.500	[35 - 38]	1 1/4	1.660	[42]	8 SOL	0.129	4 STR	0.232	10mm ² SOL	[3.6]	16mm ² STR	[5.1]	1.88	[48]	2.31	[59]	3/8	[10]	1.31	[33]	3	[76]	204	240	27.0
GP1626	1 3/8 - 1 1/2	1.375 - 1.500	[35 - 38]	1 1/4	1.660	[42]	4 SOL	0.204	2/0 STR	0.416	25mm ² STR	[6.5]	50mm ² STR	[9.3]	1.88	[48]	2.31	[59]	3/8	[10]	1.69	[43]	3	[76]	204	240	27.0
GP1629	1 3/8 - 1 1/2	1.375 - 1.500	[35 - 38]	1 1/4	1.660	[42]	2/0 SOL	0.365	250 KCMIL	0.575	70mm ² STR	[10.9]	120mm ² STR	[14.4]	1.88	[48]	2.31	[59]	3/8	[10]	1.94	[49]	3	[76]	204	240	27.0
GP1629W	1 3/8 - 1 1/2	1.375 - 1.500	[35 - 38]	1 1/4	1.660	[42]	2/0 SOL	0.365	250 KCMIL	0.575	70mm ² STR	[10.9]	120mm ² STR	[14.4]	1.88	[48]	2.31	[59]	3/8	[10]	1.94	[49]	3	[76]	204	240	27.0
GP1634	1 3/8 - 1 1/2	1.375 - 1.500	[35 - 38]	1 1/4	1.660	[42]	300 KCMIL	0.63	500 KCMIL	0.814	185mm ² STR	[17.8]	240mm ² STR	[20.3]	2.19	[56]	2.88	[73]	1/2	[13]	2.56	[65]	3.38	[86]	256	480	54.1
GP1639	1 3/8 - 1 1/2	1.375 - 1.500	[35 - 38]	1 1/4	1.660	[42]	550 KCMIL	0.855	750 KCMIL	0.998	300mm ² STR	[22.6]	400mm ² STR	[26.1]	2.44	[62]	3.56	[90]	5/8	[16]	3.94	[100]	3.69	[94]	359	660	74.4
GP1644	1 3/8 - 1 1/2	1.375 - 1.500	[35 - 38]	1 1/4	1.660	[42]	800 KCMIL	1.031	1000 KCMIL	1.152	400mm ² STR	[26.1]	500mm ² STR	[28.3]	2.63	[67]	3.56	[90]	5/8	[16]	3.44	[87]	3.75	[95]	359	660	74.4



LETTERING VIEW

NOTES:

1. MATERIAL: COPPER ALLOY
2. UL 467 LISTED, FILE NO.E9999 ACCEPTABLE FOR DIRECT BURIAL.
3. DIMENSIONS IN BRACKETS [] ARE IN MILLIMETERS AND ARE FOR REFERENCE ONLY.
- 4 LETTERING TO APPEAR ON THIS SIDE OF CONNECTOR.
- 5 CATALOG NUMBERS WITH A SUFFIX "W" ARE TIN PLATED.

TO ORDER BURNDY® PRODUCTS CALL		GROUND CLAMP	
UNITED STATES 1-800-346-4175 (LONDONDERRY, NH)		ITEM NO: N/A	CAT. NO: GP-- (TABLE)
CANADA: 1-800-361-6975 (QUEBEC) 1-800-387-6487 (ALL OTHER PROVINCES)		DRAWN BY: JJB 11/24/45	CHECKER: AEB 01/21/46
FOR PRODUCT INFO: http://www.burndy.com		DSN APPVL: G.DITROIA 11/11/94	MFG APPVL: --
		QA APPVL: A.LLOYD 12/03/94	MKT APPVL: K.WOO 11/11/94
		PROJ #: --	SIZE: D
		DOCUMENT TYPE: Sales	REL LEVEL: Released
		DRAWING NO: SD013778	REV: C
		SHEET 1 OF 2	

REV: PE0200

