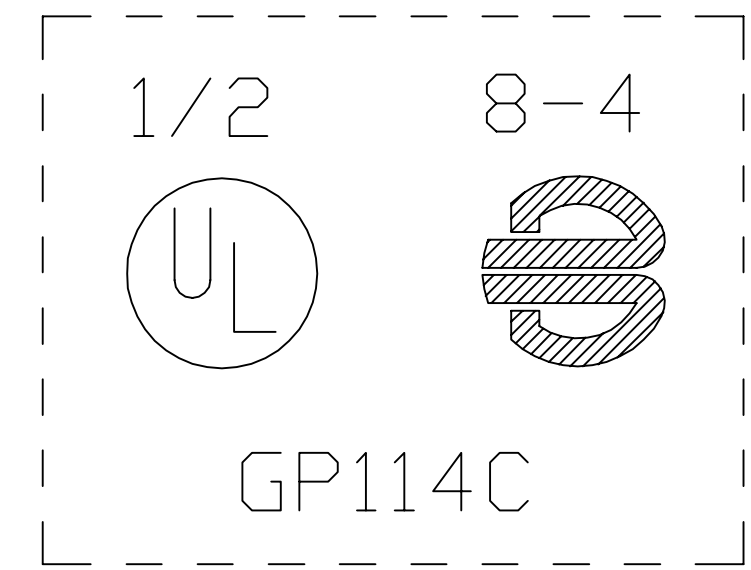
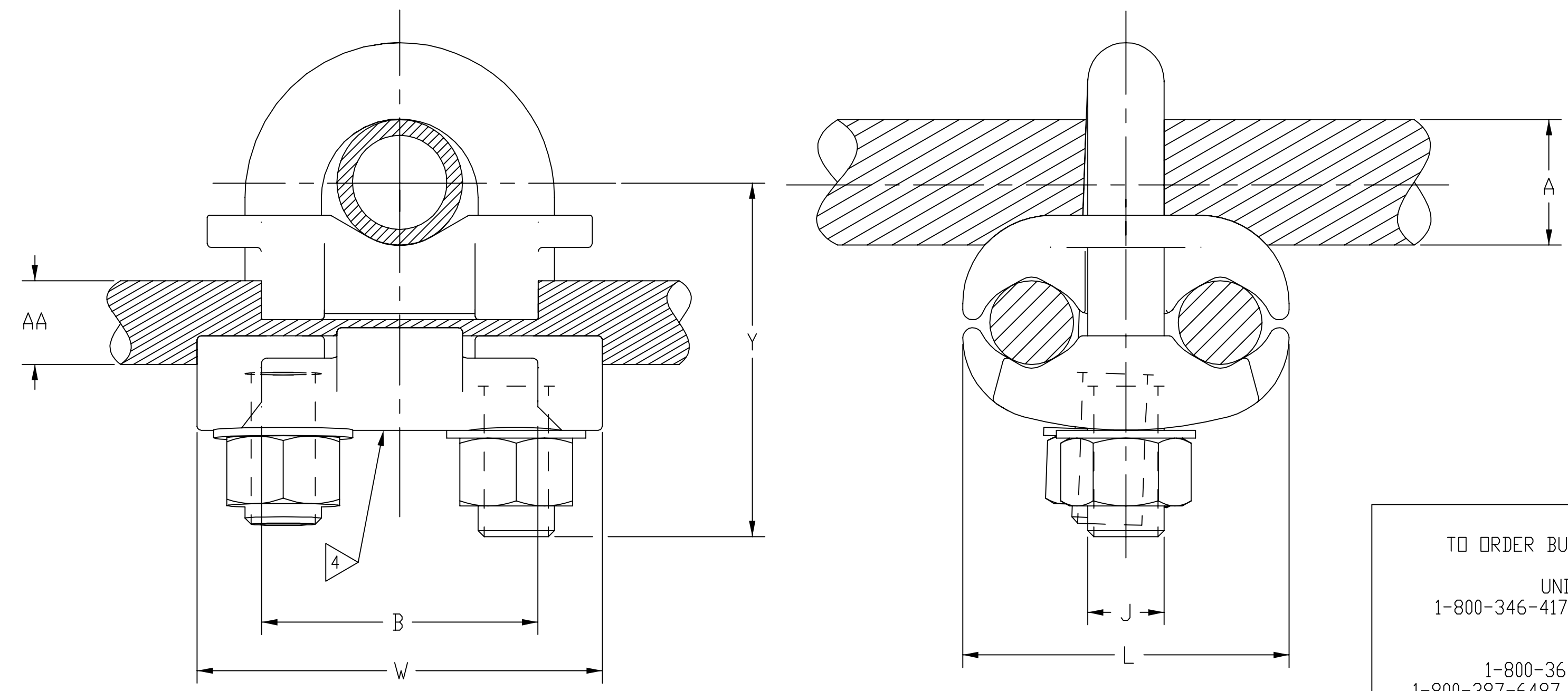


REV	DATE	DESCRIPTION	ECD	BY	C'H'K.
D	11/06/17	FORMAT CHANGE	47985	BK	MB

CATALOG NO.	A				AA								B	Y	J	L	W	"I/P" BOLT	TORQUE								
	ROD SIZES ACCOMMODATED		PIPE SIZES ACCOMMODATED		COPPER CONDUCTOR ACCOMMODATED																						
	NOMINAL DIAMETER (in)	ACTUAL DIAMETER	NOMINAL DIAMETER (in)	ACTUAL DIAMETER	AWG				METRIC WIRE SIZE																		
					MIN	MAX	MIN	MAX	MIN	MAX	MIN	MAX															
GP114C	1/2	0.500	[13]	1/4	0.540	[14]	8 SDL	0.129	4 STR	0.232	10mm <sup>2</sup> SDL	[3.6]	16mm <sup>2</sup> STR	[5.1]	1.50	[38]	1.88	[48]	3/8	[10]	1.31	[33]	1.88	[48]	271	240	27.0
GP1126	1/2	0.500	[13]	1/4	0.540	[14]	4 SDL	0.204	2/0 STR	0.416	25mm <sup>2</sup> STR	[6.5]	50mm <sup>2</sup> STR	[9.3]	1.50	[38]	1.88	[48]	3/8	[10]	1.69	[43]	1.88	[48]	271	240	27.0
GP1129	1/2	0.500	[13]	1/4	0.540	[14]	2/0 SDL	0.365	250 KCMIL	0.575	70mm <sup>2</sup> STR	[10.9]	120mm <sup>2</sup> STR	[14.4]	1.75	[44]	1.88	[48]	3/8	[10]	1.94	[49]	1.88	[48]	271	240	27.0
GP644C	5/8 - 3/4	0.625 - 0.750	[16 - 19]	3/8	0.675	[17]	8 SDL	0.129	4 STR	0.232	10mm <sup>2</sup> SDL	[3.4]	16mm <sup>2</sup> STR	[5.1]	1.50	[38]	2.06	[52]	3/8	[10]	1.31	[33]	2.12	[54]	187	240	27.0
GP6426	5/8 - 3/4	0.625 - 0.750	[16 - 19]	3/8	0.675	[17]	4 SDL	0.204	2/0 STR	0.416	25mm <sup>2</sup> STR	[6.5]	50mm <sup>2</sup> STR	[9.3]	1.50	[38]	2.06	[52]	3/8	[10]	1.69	[43]	2.12	[54]	187	240	27.0
GP6429	5/8 - 3/4	0.625 - 0.750	[16 - 19]	3/8	0.675	[17]	2/0 SDL	0.365	250 KCMIL	0.575	70mm <sup>2</sup> STR	[10.9]	120mm <sup>2</sup> STR	[14.4]	1.75	[44]	2.06	[52]	3/8	[10]	2.06	[52]	2.12	[54]	242	240	27.0
GP6434	5/8 - 3/4	0.625 - 0.750	[16 - 19]	3/8	0.675	[17]	300 KCMIL	0.63	500 KCMIL	0.814	185mm <sup>2</sup> STR	[17.8]	240mm <sup>2</sup> STR	[20.3]	2.00	[51]	2.56	[65]	1/2	[13]	2.56	[65]	2.56	[65]	254	480	54.1
GP6439	5/8 - 3/4	0.625 - 0.750	[16 - 19]	3/8	0.675	[17]	550 KCMIL	0.855	750 KCMIL	0.998	300mm <sup>2</sup> STR	[22.6]	400mm <sup>2</sup> STR	[26.1]	2.00	[51]	2.56	[65]	1/2	[13]	2.94	[75]	2.56	[65]	254	480	54.1
GP144C	1	1.000	[25]	1/2 - 3/4	0.84 - 1.050	[21 - 27]	8 SDL	0.129	4 STR	0.232	10mm <sup>2</sup> SDL	[3.6]	16mm <sup>2</sup> STR	[5.1]	1.50	[38]	1.81	[46]	3/8	[10]	1.94	[49]	2.38	[60]	222	240	27.0
GP1426	1	1.000	[25]	1/2 - 3/4	0.84 - 1.050	[21 - 27]	4 SDL	0.204	2/0 STR	0.416	25mm <sup>2</sup> STR	[6.5]	50mm <sup>2</sup> STR	[9.3]	1.50	[38]	1.81	[46]	3/8	[10]	1.69	[43]	2.38	[60]	249	240	27.0
GP1429	1	1.000	[25]	1/2 - 3/4	0.84 - 1.050	[21 - 27]	2/0 SDL	0.365	250 KCMIL	0.575	70mm <sup>2</sup> STR	[10.9]	120mm <sup>2</sup> STR	[14.4]	1.75	[44]	2.13	[54]	3/8	[10]	1.94	[49]	2.38	[60]	249	240	27.0
GP1434	1	1.000	[25]	1/2 - 3/4	0.84 - 1.050	[21 - 27]	300 KCMIL	0.63	500 KCMIL	0.814	185mm <sup>2</sup> STR	[17.8]	240mm <sup>2</sup> STR	[20.3]	2.00	[51]	2.69	[68]	1/2	[13]	2.56	[65]	2.75	[70]	247	480	54.1
GP1439	1	1.000	[25]	1/2 - 3/4	0.84 - 1.050	[21 - 27]	550 KCMIL	0.855	750 KCMIL	0.998	300mm <sup>2</sup> STR	[22.6]	400mm <sup>2</sup> STR	[26.1]	2.12	[54]	2.69	[68]	1/2	[13]	2.94	[75]	2.75	[70]	247	480	54.1
GP1444	1	1.000	[25]	1/2 - 3/4	0.84 - 1.050	[21 - 27]	800 KCMIL	1.031	1000 KCMIL	1.152	400mm <sup>2</sup> STR	[26.1]	500mm <sup>2</sup> STR	[28.3]	2.25	[57]	3.44	[87]	1/2	[13]	3.31	[84]	2.75	[70]	-	480	54.1
GP154C	1 1/8 - 1 1/4	1.125 - 1.250	[29 - 32]	1	1.315	[33]	8 SDL	0.129	4 STR	0.232	10mm <sup>2</sup> SDL	[3.6]	16mm <sup>2</sup> STR	[5.1]	1.75	[44]	1.81	[46]	3/8	[10]	1.94	[49]	2.63	[67]	191	240	27.0
GP1526	1 1/8 - 1 1/4	1.125 - 1.250	[29 - 32]	1	1.315	[33]	4 SDL	0.204	2/0 STR	0.416	25mm <sup>2</sup> STR	[6.5]	50mm <sup>2</sup> STR	[9.3]	1.75	[44]	1.81	[46]	3/8	[10]	1.69	[43]	2.63	[67]	244	240	27.0
GP1529	1 1/8 - 1 1/4	1.125 - 1.250	[29 - 32]	1	1.315	[33]	2/0 SDL	0.365	250 KCMIL	0.575	70mm <sup>2</sup> STR	[10.9]	120mm <sup>2</sup> STR	[14.4]	1.75	[44]	2.31	[59]	3/8	[10]	1.94	[49]	2.63	[67]	244	240	27.0
GP1534	1 1/8 - 1 1/4	1.125 - 1.250	[29 - 32]	1	1.315	[33]	300 KCMIL	0.63	500 KCMIL	0.814	185mm <sup>2</sup> STR	[17.8]	240mm <sup>2</sup> STR	[20.3]	2.19	[56]	2.31	[59]	1/2	[13]	2.56	[65]	3	[76]	311	480	54.1
GP1539	1 1/8 - 1 1/4	1.125 - 1.250	[29 - 32]	1	1.315	[33]	550 KCMIL	0.855	750 KCMIL	0.998	300mm <sup>2</sup> STR	[22.6]	400mm <sup>2</sup> STR	[26.1]	2.19	[56]	2.31	[59]	1/2	[13]	2.94	[75]	3	[76]	311	480	54.1
GP1544	1 1/8 - 1 1/4	1.125 - 1.250	[29 - 32]	1	1.315	[33]	800 KCMIL	1.031	1000 KCMIL	1.152	400mm <sup>2</sup> STR	[26.1]	500mm <sup>2</sup> STR	[28.3]	2.25	[57]	2.31	[59]	1/2	[13]	3.31	[84]	3	[76]	311	480	54.1
GP164C	1 3/8 - 1 1/2	1.375 - 1.500	[35 - 38]	1 1/4	1.660	[42]	8 SDL	0.129	4 STR	0.232	10mm <sup>2</sup> SDL	[3.6]	16mm <sup>2</sup> STR	[5.1]	1.88	[48]	2.31	[59]	3/8	[10]	1.31	[33]	3	[76]	204	240	27.0
GP1626	1 3/8 - 1 1/2	1.375 - 1.500	[35 - 38]	1 1/4	1.660	[42]	4 SDL	0.204	2/0 STR	0.416	25mm <sup>2</sup> STR	[6.5]	50mm <sup>2</sup> STR	[9.3]	1.88	[48]	2.31	[59]	3/8	[10]	1.69	[43]	3	[76]	204	240	27.0
GP1629	1 3/8 - 1 1/2	1.375 - 1.500	[35 - 38]	1 1/4	1.660	[42]	2/0 SDL	0.365	250 KCMIL	0.575	70mm <sup>2</sup> STR	[10.9]	120mm <sup>2</sup> STR	[14.4]	1.88	[48]	2.31	[59]	3/8	[10]	1.94	[49]	3	[76]	204	240	27.0
GP1629W	1 3/8 - 1 1/2	1.375 - 1.500	[35 - 38]	1 1/4	1.660	[42]	2/0 SDL	0.365	250 KCMIL	0.575	70mm <sup>2</sup> STR	[10.9]	120mm <sup>2</sup> STR	[14.4]	1.88	[48]	2.31	[59]	3/8	[10]	1.94	[49]	3	[76]	204	240	27.0
GP1634	1 3/8 - 1 1/2	1.375 - 1.500	[35 - 38]	1 1/4	1.660	[42]	300 KCMIL	0.63	500 KCMIL	0.814	185mm <sup>2</sup> STR	[17.8]	240mm <sup>2</sup> STR	[20.3]	2.19	[56]	2.88	[73]	1/2	[13]	2.56	[65]	3.38	[86]	256	480	54.1
GP1639	1 3/8 - 1 1/2	1.375 - 1.500	[35 - 38]	1 1/4	1.660	[42]	550 KCMIL	0.855	750 KCMIL	0.998	300mm <sup>2</sup> STR	[22.6]	400mm <sup>2</sup> STR	[26.1]	2.44	[62]	3.56	[90]	5/8	[16]	3.94	[100]	3.69	[94]	359	660	74.4
GP1644	1 3/8 - 1 1/2	1.375 - 1.500	[35 - 38]	1 1/4	1.660	[42]	800 KCMIL	1.031	1000 KCMIL	1.152	400mm <sup>2</sup> STR	[26.1]	500mm <sup>2</sup> STR	[28.3]	2.63	[67]	3.56	[90]	5/8	[16]	3.44	[87]	3.75	[95]	359	660	74.4



LETTERING VIEW

- NOTES:
- MATERIAL: COPPER ALLOY
  - UL 467 LISTED, FILE NO.E9999 ACCEPTABLE FOR DIRECT BURIAL.
  - DIMENSIONS IN BRACKETS [ ] ARE IN MILLIMETERS AND ARE FOR REFERENCE ONLY.
  - LETTERING TO APPEAR ON THIS SIDE OF CONNECTOR.
  - CATALOG NUMBERS WITH A SUFFIX "W" ARE TIN PLATED.
  - AMPERE RATING FOR CONNECTOR SHOULD BE BASED ON THE SMALLEST SIZE CONDUCTOR.

TO ORDER BURNDY® PRODUCTS CALL UNITED STATES 1-800-346-4175 (LONDONDERRY, NH)  CANADA: 1-800-361-6975 (QUEBEC) 1-800-387-6487 (ALL OTHER PROVINCES)  FOR PRODUCT INFO: <a href="http://www.burndy.com">http://www.burndy.com</a>	GROUND CLAMP		
	ITEM NO:	N/A	
	CAT. NO:	GP-- (TABLE)	
	DRAWN BY:	JJB 11/24/45	
	CHECKER:	AEB 01/21/46	
	DSN APPVL:	G.DITROIA 11/11/94	
	MFG APPVL:	--	
	QA APPVL:	ALLOYD 12/03/94	
MKT APPVL:	K.WOOD 11/11/94	SCALE: 1:1	
PROJ. FAMIL:	--	DRAWING NO	REV
PROJECT #:	--	SD013778	D
DOCUMENT TYPE:	Sales	SHEET 1 OF 2	
REL. LEVEL:	Released		

REV: PE0200